

**CITY OF ROME PLANNING BOARD**

CARE OF: DEPARTMENT OF COMMUNITY AND ECONOMIC DEVELOPMENT  
ROME CITY HALL, 198 N. WASHINGTON STREET  
ROME, NEW YORK 13440-5815  
Telephone: (315) 339-7643 Fax: (315) 838-1167  
www.RomeNewYork.com



**Application for Planning Board Review**

**Property Address:** \_\_\_\_\_  
6692, 6696, 6700 Martin Street (Lots Combined)

**County Tax ID #:** \_\_\_\_\_  
258.002-2-24, 25, 26.2, Portion of 29

**Type of Action Requested**

- Site Plan Review     Site Plan Revision     Minor Subdivision (less than 5 lots)
- Major Subdivision (5 lots or more)
  - Preliminary Plat     Final Plat

*Please fill out all the application forms completely and ensure that you are submitting all required supporting documentation. Review and complete the application checklist form prior to submission to confirm that your application is complete.*

*A complete application must include, at minimum:*

- *Completed Application Form*
- *Application Fee*
- *All Required Submittals*
- *Digital Copy of All Documents*
- *10 Paper Copies of All Documents Printed to Full Original Scale*

*A **complete** application package must be submitted to the City's Department of Community and Economic Development at least sixteen (16) calendar days in advance of the upcoming meeting to be placed on an agenda. **Please note that for review items which require a State Environmental Quality Review (SEQR), by law, each agency that is part of the project review has up to thirty (30) days for comment. With this in mind, if an item subject to SEQR is submitted at the deadline (16 days prior to the meeting), it is unlikely that the review item will be able to be acted on at the following regular meeting of the planning board.***

*The Planning Board generally meets on the first Tuesday of each month, but consult the publicly posted schedule as this can vary as a result of public holidays.*

Office Use	Date Received:	Fee Recieved: <input type="checkbox"/> Yes <input type="checkbox"/> No <input type="checkbox"/> N/A
------------	----------------	---

**City of Rome, New York**  
Application for Planning Board Review

**Applicant Information**

Name: First Student, Inc.

Address: 6700 Martin Street

Phone: (315) 523-7836

City: Rome State: NY Zip: 13440

E-Mail: michael.cline@firststudentinc.com

**Property Owner Information**  (Check if same as applicant)

Name: Cleghorn Properties, LLC

Address: 466 E Brighton Ave

Phone: (315) 383-8642

City: Syracuse State: NY Zip: 13210

E-Mail: sales@ironhornenterprises.com

**Agent Information**

Name: \_\_\_\_\_

Address: \_\_\_\_\_

Phone: \_\_\_\_\_

City: \_\_\_\_\_ State: \_\_\_\_\_ Zip: \_\_\_\_\_

E-Mail: \_\_\_\_\_

**City of Rome, New York**  
Application for Planning Board Review

**Brief Project Summary/Description:**

The project involves the demolition of two structures, paved, concrete and gravel surfaces to accommodate the construction of a paved parking lot to serve as a bus terminal. The facility will be fully enclosed by a 6-foot tall chain link fence. Landscaping and stormwater management areas will be incorporated into the site design.

**Property Zoning:** General Industrial (I-G)      **Property Size:** 3.308 Acres

**Current Land Use:** Bus Terminal and Residential

**Are there any easements or rights-of-way on the property?**  Yes  No  
 Utility       Right-of-Way       Access       Other

**Are there any known archaeological or historically significant features on the property?**  Yes  No

If yes, please explain: \_\_\_\_\_

**Are there any federal or state wetlands located on the property?**  Yes  No

Federal Wetlands       New York State Wetlands

**Is the property located within a floodplain?**  Yes  No

100-Year       500-Year

**Site Plan Review Supplement**

*Please complete this section if you are applying for site plan review*

**Proposed Building Square Footage:** N/A

**Proposed Building Height:** N/A

**Proposed Lot Coverage:** 7.7% (Existing Buildings)

**Proposed Impervious Surface Coverage:** 99,840 Sq. Ft. (69.3%)

**Proposed Building Setbacks:** 177', 28' W, 60' E, 101' (Front, Side, Side, Rear)

**Breakdown of Proposed Uses by Square Footage:** Bus Terminal (100%)

**Proposed Number of Residential Units:** N/A (If Applicable)

**Does the proposed project involve the construction of wireless telecommunication facilities or infrastructure?**

Yes     No

**Does the proposed project involve the construction of a Tier 2 or Tier 3 Solar Energy Project as defined in the City of Rome Zoning Code?**

No     Yes, Tier 2     Yes, Tier 3

*Additional information is required for projects involving wireless telecommunication facilities and infrastructure, as well as Tier 2 and 3 solar arrays. For these types of project, please contact the Department of Community and Economic Development for assistance.*

**City of Rome, New York**  
Application for Planning Board Review

**General Information and Certification**

The City of Rome’s Planning Board regularly meets the first Tuesday of every month. To be placed on an agenda, a complete application must be submitted to the City’s Department of Community and Economic Development at least sixteen (16) calendar days in advance of the upcoming meeting.

Please note that you *must* have a representative in attendance at the meeting in order for your application to be considered.

All required supporting documentation including the required number of copies of plans, documents, drawings and/or other illustrative materials must be submitted in an application packet in order for it to be considered complete. Please refer to the relevant application checklist to confirm that you are submitting all necessary information.

***Failure to provide complete information may result in unnecessary delays or revocation of approvals.***

*I do hereby state that the information submitted is an accurate representation of my request and complete to the best of my knowledge:*

Applicant Signature: \_\_\_\_\_

Owner Signature: \_\_\_\_\_

Date: \_\_\_\_\_

Date: \_\_\_\_\_

# Short Environmental Assessment Form

## Part 1 - Project Information

### Instructions for Completing

**Part 1 – Project Information.** The applicant or project sponsor is responsible for the completion of Part 1. Responses become part of the application for approval or funding, are subject to public review, and may be subject to further verification. Complete Part 1 based on information currently available. If additional research or investigation would be needed to fully respond to any item, please answer as thoroughly as possible based on current information.

Complete all items in Part 1. You may also provide any additional information which you believe will be needed by or useful to the lead agency; attach additional pages as necessary to supplement any item.

<b>Part 1 – Project and Sponsor Information</b>			
Name of Action or Project: City of Rome Planning Board- Site Plan Approval for Martin Street Bus Terminal			
Project Location (describe, and attach a location map): 6692, 6696, 6700 Martin Street Rome, NY 13440 (Lots Have Been Combined With a Portion of Lot 258.002-2-29 Acquired)			
Brief Description of Proposed Action: The project involves the demolition of two structures, paved, concrete and gravel surfaces to accommodate the construction of a paved parking lot to serve as a bus terminal. The facility will be fully enclosed by a 6-foot tall chain link fence. Landscaping and stormwater management areas will be incorporated into the site design.			
Name of Applicant or Sponsor: First Student, Inc.		Telephone: (315) 523-7836 E-Mail: michael.cline@firststudentinc.com	
Address: 6700 Martin Street			
City/PO: Rome		State: NY	Zip Code: 13440
1. Does the proposed action only involve the legislative adoption of a plan, local law, ordinance, administrative rule, or regulation? If Yes, attach a narrative description of the intent of the proposed action and the environmental resources that may be affected in the municipality and proceed to Part 2. If no, continue to question 2.		NO	YES
		<input checked="" type="checkbox"/>	<input type="checkbox"/>
2. Does the proposed action require a permit, approval or funding from any other government Agency? If Yes, list agency(s) name and permit or approval: City of Rome- Site Plan Approval; NYSDEC- SPDES Discharge Permit for Construction Activity		NO	YES
		<input type="checkbox"/>	<input checked="" type="checkbox"/>
3. a. Total acreage of the site of the proposed action? _____ 3.31 acres			
b. Total acreage to be physically disturbed? _____ ±3 acres			
c. Total acreage (project site and any contiguous properties) owned or controlled by the applicant or project sponsor? _____ 3.31 acres			
4. Check all land uses that occur on, are adjoining or near the proposed action:			
<input type="checkbox"/> Urban <input type="checkbox"/> Rural (non-agriculture) <input type="checkbox"/> Industrial <input checked="" type="checkbox"/> Commercial <input checked="" type="checkbox"/> Residential (suburban)			
<input type="checkbox"/> Forest <input type="checkbox"/> Agriculture <input type="checkbox"/> Aquatic <input checked="" type="checkbox"/> Other(Specify): Bus Terminal			
<input type="checkbox"/> Parkland			

5. Is the proposed action,	NO	YES	N/A
a. A permitted use under the zoning regulations?	<input type="checkbox"/>	<input checked="" type="checkbox"/>	<input type="checkbox"/>
b. Consistent with the adopted comprehensive plan?	<input type="checkbox"/>	<input checked="" type="checkbox"/>	<input type="checkbox"/>
6. Is the proposed action consistent with the predominant character of the existing built or natural landscape?	NO <input type="checkbox"/>	YES <input checked="" type="checkbox"/>	
7. Is the site of the proposed action located in, or does it adjoin, a state listed Critical Environmental Area? If Yes, identify: _____	NO <input checked="" type="checkbox"/>	YES <input type="checkbox"/>	
8. a. Will the proposed action result in a substantial increase in traffic above present levels? b. Are public transportation services available at or near the site of the proposed action? c. Are any pedestrian accommodations or bicycle routes available on or near the site of the proposed action?	NO <input checked="" type="checkbox"/> <input checked="" type="checkbox"/> <input checked="" type="checkbox"/>	YES <input type="checkbox"/> <input type="checkbox"/> <input type="checkbox"/>	
9. Does the proposed action meet or exceed the state energy code requirements? If the proposed action will exceed requirements, describe design features and technologies: _____ _____	NO <input type="checkbox"/>	YES <input checked="" type="checkbox"/>	
10. Will the proposed action connect to an existing public/private water supply? If No, describe method for providing potable water: _____ Existing water service to remain. _____	NO <input checked="" type="checkbox"/>	YES <input type="checkbox"/>	
11. Will the proposed action connect to existing wastewater utilities? If No, describe method for providing wastewater treatment: _____ Existing wastewater service to remain. _____	NO <input checked="" type="checkbox"/>	YES <input type="checkbox"/>	
12. a. Does the project site contain, or is it substantially contiguous to, a building, archaeological site, or district which is listed on the National or State Register of Historic Places, or that has been determined by the Commissioner of the NYS Office of Parks, Recreation and Historic Preservation to be eligible for listing on the State Register of Historic Places? b. Is the project site, or any portion of it, located in or adjacent to an area designated as sensitive for archaeological sites on the NY State Historic Preservation Office (SHPO) archaeological site inventory?	NO <input checked="" type="checkbox"/> <input type="checkbox"/>	YES <input type="checkbox"/> <input checked="" type="checkbox"/>	
13. a. Does any portion of the site of the proposed action, or lands adjoining the proposed action, contain wetlands or other waterbodies regulated by a federal, state or local agency? b. Would the proposed action physically alter, or encroach into, any existing wetland or waterbody? If Yes, identify the wetland or waterbody and extent of alterations in square feet or acres: _____ _____ _____	NO <input checked="" type="checkbox"/> <input checked="" type="checkbox"/>	YES <input type="checkbox"/> <input type="checkbox"/>	

14. Identify the typical habitat types that occur on, or are likely to be found on the project site. Check all that apply: <input type="checkbox"/> Shoreline <input type="checkbox"/> Forest <input type="checkbox"/> Agricultural/grasslands <input type="checkbox"/> Early mid-successional <input type="checkbox"/> Wetland <input type="checkbox"/> Urban <input checked="" type="checkbox"/> Suburban		
15. Does the site of the proposed action contain any species of animal, or associated habitats, listed by the State or Federal government as threatened or endangered? Northern Long-Eared Bat, Tricolored Bat and Monarch Butterfly are identified as potentially affected by activity at this location. No clearing is taking place as a result of the project.	NO	YES
	<input type="checkbox"/>	<input checked="" type="checkbox"/>
16. Is the project site located in the 100-year flood plan?	NO	YES
	<input checked="" type="checkbox"/>	<input type="checkbox"/>
17. Will the proposed action create storm water discharge, either from point or non-point sources? If Yes, a. Will storm water discharges flow to adjacent properties? b. Will storm water discharges be directed to established conveyance systems (runoff and storm drains)? If Yes, briefly describe: _____ Stormwater will be collected on site in basins with infiltration capabilities, with larger storm events discharging to the same conveyance systems as seen in existing site conditions.	NO	YES
	<input type="checkbox"/>	<input checked="" type="checkbox"/>
	<input type="checkbox"/>	<input checked="" type="checkbox"/>
	<input type="checkbox"/>	<input checked="" type="checkbox"/>
18. Does the proposed action include construction or other activities that would result in the impoundment of water or other liquids (e.g., retention pond, waste lagoon, dam)? If Yes, explain the purpose and size of the impoundment: _____ Stormwater will be collected in infiltration basins with varying sizes. See Site Development Plans for sizing.	NO	YES
	<input type="checkbox"/>	<input checked="" type="checkbox"/>
19. Has the site of the proposed action or an adjoining property been the location of an active or closed solid waste management facility? If Yes, describe: _____ _____	NO	YES
	<input checked="" type="checkbox"/>	<input type="checkbox"/>
20. Has the site of the proposed action or an adjoining property been the subject of remediation (ongoing or completed) for hazardous waste? If Yes, describe: _____ _____	NO	YES
	<input checked="" type="checkbox"/>	<input type="checkbox"/>
<b>I CERTIFY THAT THE INFORMATION PROVIDED ABOVE IS TRUE AND ACCURATE TO THE BEST OF MY KNOWLEDGE</b>  Applicant/sponsor/name: _____ Date: _____  Signature: _____ Title: _____		

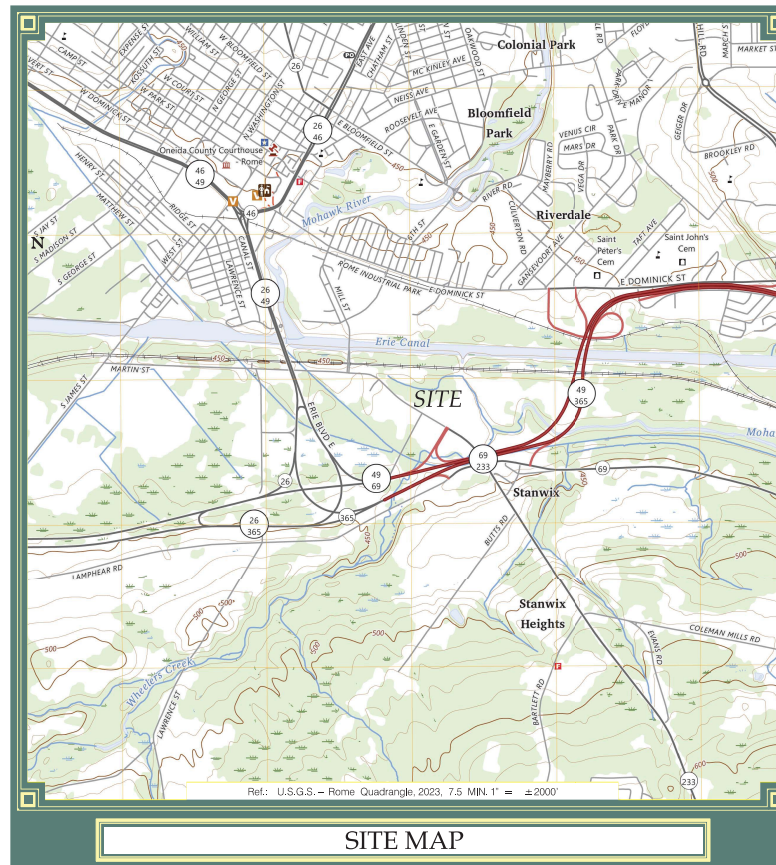


# MARTIN STREET BUS TERMINAL

CITY OF ROME, ONEIDA COUNTY, NEW YORK

### General Notes

1. THE PROJECT PROPERTIES ARE LOCATED AT 6692, 6696 AND 6700 MARTIN STREET IN THE CITY OF ROME, ONEIDA COUNTY, NEW YORK.
2. THE CONTRACTOR SHALL OBTAIN ALL NECESSARY PERMITS PRIOR TO INITIATING CONSTRUCTION.
3. THE SITE IMPROVEMENTS SHALL BE COMPLETED IN ACCORDANCE WITH ALL FEDERAL, STATE, COUNTY AND LOCAL REGULATIONS. ALL CONSTRUCTION, MATERIALS AND EQUIPMENT SHALL BE IN CONFORMANCE WITH THE CITY OF ROME AND THE NEW YORK STATE DEPARTMENT OF ENVIRONMENTAL CONSERVATION.
4. ALL CONTRACTOR(S) SHALL MEET THE CERTIFICATION / LICENSING / PERMITTING REQUIREMENTS OF THE MUNICIPALITY FOR EACH SPECIFIC TASK (AS APPLICABLE).
5. PRIOR TO INITIATING CONSTRUCTION, THE CONTRACTOR SHALL GIVE TIMELY NOTIFICATION TO ALL UTILITY COMPANIES WITH FACILITIES IN THE AREA AND CONTACT DIG SAFELY NEW YORK - UNDERGROUND FACILITY PROTECTION ORGANIZATION, AT 1-800-962-7962. THE CONTRACTOR WILL BE RESPONSIBLE FOR LOCATING PRIVATE ON-SITE UTILITIES.
6. EACH CONTRACTOR SHALL TAKE ALL NECESSARY PRECAUTIONS WHILE WORKING TO SAFEGUARD EXISTING STRUCTURES, UTILITIES AND SURVEY MARKERS. THE CONTRACTOR(S) SHALL BE RESPONSIBLE FOR REPAIRING ANY DAMAGE TO EXISTING STRUCTURES, UTILITIES AND SURVEY MARKERS CAUSED BY THEIR WORK BEING PERFORMED.
7. EACH CONTRACTOR SHALL PROVIDE THEIR OWN HEALTH AND SAFETY PROGRAM IN ACCORDANCE WITH ALL APPLICABLE OCCUPATIONAL SAFETY & HEALTH ADMINISTRATION (OSHA) REQUIREMENTS.
8. EACH CONTRACTOR SHALL PROVIDE HAZARD BARRIERS PLACED CONSPICUOUSLY AROUND ALL PHASES OF CONSTRUCTION TO SAFEGUARD THE PUBLIC AND TRAFFIC AGAINST DANGEROUS CONDITIONS.
9. THE CONTRACTOR IS RESPONSIBLE FOR DISPOSING OF ALL CONSTRUCTION AND DEMOLITION DEBRIS IN CONFORMANCE WITH FEDERAL, STATE AND LOCAL REGULATIONS.
10. THE CONTRACTOR SHALL PROVIDE THE OWNER WITH AN ACCURATE RECORD DRAWING OF ALL EQUIPMENT INSTALLED, UNDERGROUND STRUCTURES AND UTILITIES ENCOUNTERED.



### INDEX TO SHEETS

Drawing Title	Sheet Number
EXISTING CONDITIONS & DEMOLITION PLAN	C101
SITE PLAN	C201
EROSION, SEDIMENT CONTROL & LANDSCAPING	
- PLAN	C301
- DETAILS & SPECIFICATIONS	C302
PAVING, GRADING & DRAINAGE SYSTEMS	
- PLAN	C401
- DETAILS & SECTIONS	C402

Note: No alteration permitted hereon except as provided under Section 7209 Subdivision 2 of the New York State Education Law.

**PLUMLEY ENGINEERING**

*Civil and Environmental Engineering*

PLUMLEY ENGINEERING, P.C.  
8232 LOOP ROAD  
BALDWINVILLE, NY 13027  
TELEPHONE: (315) 638-8587  
FAX: (315) 638-9740  
WWW.PLUMLEYENG.COM

## SITE DEVELOPMENT PLANS

Applicant: First Situations, Inc.  
Address: 6700 Martin Street  
Rome, NY 13440

PROJECT No.: 2024074  
DATE: October 2024  
REVISED:

These plans & specifications are the property of Plumley Engineering, P.C. These documents may not be copied, reproduced, used or implemented in any way, in part or in whole, without the written consent of Plumley Engineering, P.C. All common law rights of copyright are hereby specifically reserved.  
© Plumley Engineering, P.C. 2024



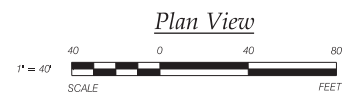
Existing		To Be Demolished / Removed / Relocated	
---	Property Line	OH	Overhead Utility
- - - R.O.W. - - -	Right of Way	Ø	Utility Pole
---	Lot Line	G	Gas Main
R.O.	Reputed Owner	W	Water Service
OH	Overhead Utility	- - - X	Chain Link Fence
Ø	Utility Pole	[Red Hatched Box]	Concrete
- 8" SAN -	Sanitary Sewer w/ Size	[Red Solid Box]	Pavement
⊙	Sanitary Manhole	[Red Dotted Box]	Gravel
G	Gas Main	[Red Diagonal Hatched Box]	Building
6" W	Hydrant / Water Main w/ Size	[Blue Solid Box]	Lawn Areas
12" D	Drainage Pipe w/ Size		
■	Drainage Catch Basin		
- - 405 - -	Topographic Contour		
[Grey Box]	Pavement		
[Light Grey Box]	Concrete		
[Yellow Box]	Lawn Areas		

Applicant: First Student, Inc.  
Address: 6700 Martin Street  
Rome, NY 13440

**General Responsibilities of Contractors**

1. Site contractor is responsible for contacting the appropriate underground protection agency with adequate advance notice of the work. Utility locations shown on the drawings are not to be considered accurate or complete. No work shall begin on the site until all utilities in the area are marked. Care shall be taken to not disturb any existing buried utilities. Contractor shall bear sole responsibility for damage to existing utilities.
2. The site contractor is responsible for properly removing & disposing of all structures, fencing, trees & other debris as encountered in accordance with Federal, State & Local regulations.
3. Should abandoned foundations be found, site contractor shall remove to 2' below subgrade, proof roll area & place compacted structural fill material in 8" compacted lifts to subgrade. Contact Project Engineer prior to proof rolling. Additional excavation / filling of area may be required prior to filling.

Basemap Reference:  
\*Boundary And Topographic Survey Lands of Powell Avenue Realty, LLC, 175 Oriskany Boulevard, Village of Whitesboro, Town of Whitesboro, Oneida County, New York\*. Prepared by: Delta Engineers, Architects & Land Surveyors; Dated: March 3, 2011; Project No.: 2011.069.001.



**PLUMLEY ENGINEERING**  
8232 LOOP ROAD  
BALDWINSVILLE, NY 13027  
TELEPHONE: (315) 638-8587  
FAX: (315) 638-9740  
WWW.PLUMLEYENG.COM  
*Civil and Environmental Engineering*

REVISIONS:	DATE:	BY:

These plans & specifications are the property of Plumley Engineering, P.C. These documents may not be copied, reproduced, used or implemented in any way, in part or in whole, without the written consent of Plumley Engineering, P.C. All common law rights of copyright are hereby asserted and reserved.

PROJECT: **MARTIN STREET BUS TERMINAL**  
CLIENT: **FIRST STUDENT, INC.**  
LOCATION: **CITY OF ROME, ONEIDA COUNTY, NEW YORK**

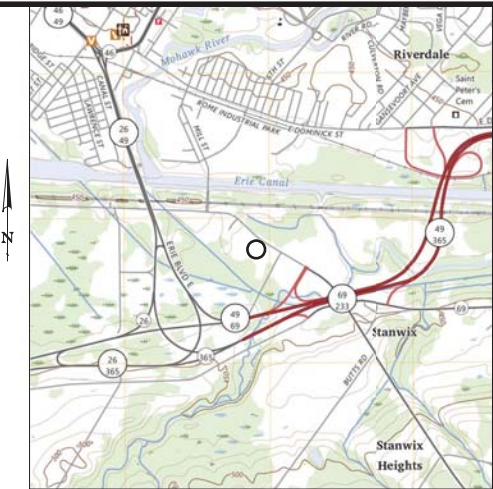
DWG. TITLE: **EXISTING CONDITIONS & DEMOLITION PLAN**

PROJECT No.: 2024074  
FILE NAME: C101  
SCALE: 1"=40'  
DATE: OCT. 2024  
ENGD BY: GAH  
DRAWN BY: GAH  
CHECKED BY: JFC

SHEET NO.: **C101**

© Plumley Engineering, P.C. 2024

Note: No alteration permitted hereon except as provided under Section 7209 Subdivision 2 of the New York State Education Law.



**LOCATION MAP**

Reference: U.S.G.S. Rome Quadrangle, 2023, 7.5 Min., 1" = ±2007



**Key**

- |                                 |   |
|---------------------------------|---|
| <b>Existing</b>                 | <b>Proposed</b>                               |
| --- Property Line               | Ⓢ Number of Parking Spaces                    |
| - - - R.O.W. - - - Right of Way | ♿ Handicapped Parking w/ Applicable Signage   |
| --- Lot Line                    | 🌳 Tree/Shrub                                  |
| R/O Reputed Owner               | — Curb Stop (For Parking Stalls Along R.O.W.) |
| OH Overhead Utility             | — x — 6' High Chain Link Fence                |
| ⊘ Utility Pole                  | 📡 Light Pole w/ Fixture                       |
| 8" SAN Sanitary Sewer w/ Size   | WP Wall Pack                                  |
| Ⓢ Sanitary Manhole              |   |
| G Gas Main                      |   |
| 12" D Drainage Pipe w/ Size     |   |
| ☑ Catch Basin                   |   |
| W Water Main                    |   |
| --- 405 --- Topographic Contour |   |

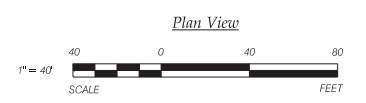
Applicant: First Student, Inc.  
Address: 6700 Martin Street  
Rome, NY 13440

**Parking Summary**

	Required	Provided
Automobile Parking:	19	90 (58 Bus, 32 Car)
Handicapped Parking:	4	4

- Notes:
- Number of automobile parking spaces required based on City Code: one (1) space per 500 sq. ft. of gross floor area used for office purposes and four (4) spaces per service bay for vehicle repair use.  
The gross floor space used for office purposes equals 5,305 sq. ft. The vehicle repair building will possess two (2) bays.
  - Number of Handicapped spaces required equals four (4) based upon New York State Building Code.

- Notes:
- Basemap Reference:  
"Topographic Survey Lands of Cleghorn Properties, LLC, Martin Street, City of Rome, Oneida County, New York"; Prepared by: Moore Land Surveying, P.C.; Dated: August 19, 2024; File No.: 21-204-1.
  - According to the New York State DEC Environmental Resource Mapper, there are no DEC wetlands on or within 100' of the site.
  - According to the US Fish and Wildlife Service National Wetlands Inventory, there are no federal wetlands on the site.
  - According to The National Flood Insurance Program (Panel No. 36065C0554F, Dated: September 27, 2013) the site is not located in the 100 year flood plain.



CITY OF ROME ZONING ORDINANCE REVIEW ZONED: GENERAL INDUSTRIAL DISTRICT, I-G	
<b>Required</b>	<b>Provided</b>
1. Lot Size: N/A	1. Lot Size: 144,083 Sq.Ft (3.308 Acres)
2. Building Setbacks:	2. Building Setbacks:
A. Front Yard: 25'	A. Front Yard: 177'
B. Rear Yard: 25', 40' if abutting residential	B. Rear Yard: 101'
C. Side Yard: 25', 40' if abutting residential	C. Side Yard: 28' W; 60' E
D. Max. Height of Structures: 75' w/ additional 1' for every 2' of setback from min. setback lines	D. Height of Structures: Building & Facade ±25'



PLUMLEY ENGINEERING, P.C.  
8232 LOOP ROAD  
BALDWINVILLE, NY 13027  
TELEPHONE: (315) 638-8587  
FAX: (315) 638-9740  
WWW.PLUMLEYENG.COM

REVISIONS:	DATE:	BY:

PROJECT: **MARTIN STREET BUS TERMINAL**  
CLIENT: **FIRST STUDENT, INC.**  
LOCATION: **CITY OF ROME, ONEIDA COUNTY, NEW YORK**

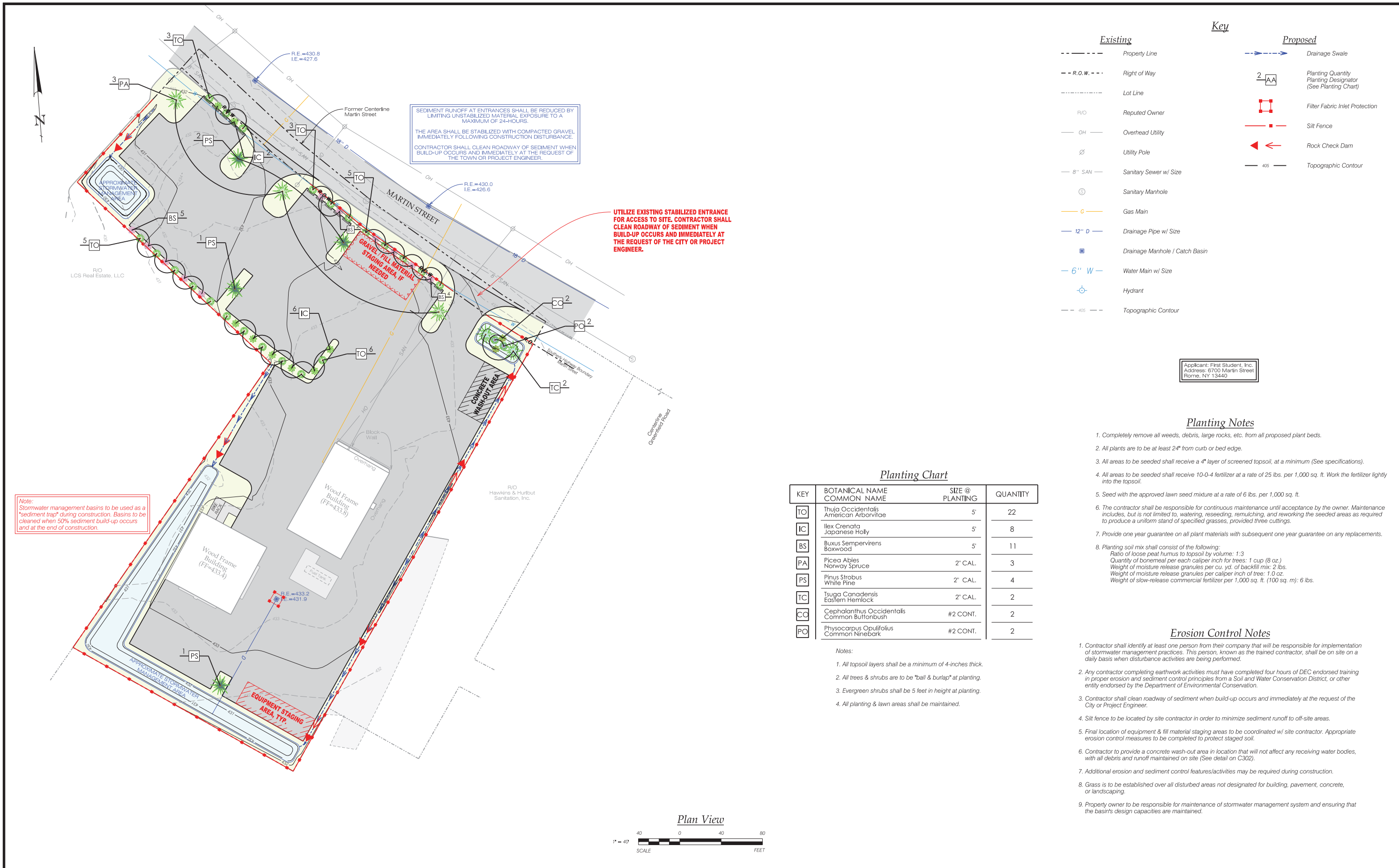
DWG. TITLE: **SITE PLAN**

PROJECT No.: 2024074  
FILE NAME.: C201  
SCALE: 1"=40'  
DATE: Oct. 2024  
ENGD BY: GAH  
DRAWN BY: GAH  
CHECKED BY: JFC

SHEET NO.: **C201**

© Plumley Engineering, P.C. 2024

Note: No alteration permitted hereon except as provided under Section 7209 Subdivision 2 of the New York State Education Law.



Existing		Proposed	
---	Property Line	---	Drainage Swale
- - - R.O.W. - - -	Right of Way	2-AA	Planting Quantity Planting Designator (See Planting Chart)
---	Lot Line	□	Filter Fabric Inlet Protection
R/O	Reputed Owner	---	Silt Fence
OH	Overhead Utility	←←	Rock Check Dam
∅	Utility Pole	---	Topographic Contour
8" SAN	Sanitary Sewer w/ Size		
⊙	Sanitary Manhole		
G	Gas Main		
12" D	Drainage Pipe w/ Size		
6" W	Water Main w/ Size		
⊕	Hydrant		
---	Topographic Contour		

SEDIMENT RUNOFF AT ENTRANCES SHALL BE REDUCED BY LIMITING UNSTABILIZED MATERIAL EXPOSURE TO A MAXIMUM OF 24-HOURS.  
 THE AREA SHALL BE STABILIZED WITH COMPACTED GRAVEL IMMEDIATELY FOLLOWING CONSTRUCTION DISTURBANCE.  
 CONTRACTOR SHALL CLEAN ROADWAY OF SEDIMENT WHEN BUILD-UP OCCURS AND IMMEDIATELY AT THE REQUEST OF THE TOWN OR PROJECT ENGINEER.

UTILIZE EXISTING STABILIZED ENTRANCE FOR ACCESS TO SITE. CONTRACTOR SHALL CLEAN ROADWAY OF SEDIMENT WHEN BUILD-UP OCCURS AND IMMEDIATELY AT THE REQUEST OF THE CITY OR PROJECT ENGINEER.

Note: Stormwater management basins to be used as a "sediment trap" during construction. Basins to be cleaned when 50% sediment build-up occurs and at the end of construction.

Applicant: First Student, Inc.  
 Address: 6700 Martin Street  
 Rome, NY 13440

**Planting Chart**

KEY	BOTANICAL NAME COMMON NAME	SIZE @ PLANTING	QUANTITY
TO	Thuja Occidentalis American Arborvitae	5'	22
IC	Ilex Crenata Japanese Holly	5'	8
BS	Buxus Sempervirens Boxwood	5'	11
PA	Picea Abies Norway Spruce	2" CAL.	3
PS	Pinus Strobus White Pine	2" CAL.	4
TC	Tsuga Canadensis Eastern Hemlock	2" CAL.	2
CC	Cephalanthus Occidentalis Common Buttonbush	#2 CONT.	2
PC	Physocarpus Opulifolius Common Ninebark	#2 CONT.	2

- Notes:
- All topsoil layers shall be a minimum of 4-inches thick.
  - All trees & shrubs are to be "ball & burlap" at planting.
  - Evergreen shrubs shall be 5 feet in height at planting.
  - All planting & lawn areas shall be maintained.

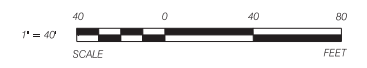
**Planting Notes**

- Completely remove all weeds, debris, large rocks, etc. from all proposed plant beds.
- All plants are to be at least 2" from curb or bed edge.
- All areas to be seeded shall receive a 4" layer of screened topsoil, at a minimum (See specifications).
- All areas to be seeded shall receive 10-0-4 fertilizer at a rate of 25 lbs. per 1,000 sq. ft. Work the fertilizer lightly into the topsoil.
- Seed with the approved lawn seed mixture at a rate of 6 lbs. per 1,000 sq. ft.
- The contractor shall be responsible for continuous maintenance until acceptance by the owner. Maintenance includes, but is not limited to, watering, reseeding, mulching, and reworking the seeded areas as required to produce a uniform stand of specified grasses, provided three cuttings.
- Provide one year guarantee on all plant materials with subsequent one year guarantee on any replacements.
- Planting soil mix shall consist of the following:  
 Ratio of loose peat humus to topsoil by volume: 1:3  
 Quantity of bonemeal per each caliper inch for trees: 1 cup (8 oz.)  
 Weight of moisture release granules per cu. yd. of backfill mix: 2 lbs.  
 Weight of moisture release granules per caliper inch of trees: 1.0 oz.  
 Weight of slow-release commercial fertilizer per 1,000 sq. ft. (100 sq. m): 6 lbs.

**Erosion Control Notes**

- Contractor shall identify at least one person from their company that will be responsible for implementation of stormwater management practices. This person, known as the trained contractor, shall be on site on a daily basis when disturbance activities are being performed.
- Any contractor completing earthwork activities must have completed four hours of DEC endorsed training in proper erosion and sediment control principles from a Soil and Water Conservation District, or other entity endorsed by the Department of Environmental Conservation.
- Contractor shall clean roadway of sediment when build-up occurs and immediately at the request of the City or Project Engineer.
- Silt fence to be located by site contractor in order to minimize sediment runoff to off-site areas.
- Final location of equipment & fill material staging areas to be coordinated w/ site contractor. Appropriate erosion control measures to be completed to protect staged soil.
- Contractor to provide a concrete wash-out area in location that will not affect any receiving water bodies, with all debris and runoff maintained on site (See detail on C302).
- Additional erosion and sediment control features/activities may be required during construction.
- Grass is to be established over all disturbed areas not designated for building, pavement, concrete, or landscaping.
- Property owner to be responsible for maintenance of stormwater management system and ensuring that the basins' design capacities are maintained.

**Plan View**



<p>PLUMLEY ENGINEERING Civil and Environmental Engineering</p>	<p>PLUMLEY ENGINEERING, P.C.        8232 LOOP ROAD        BALDWINVILLE, NY 13027        TELEPHONE: (315) 638-8587        FAX: (315) 638-9740        WWW.PLUMLEYENG.COM</p>	<p>REVISIONS:</p> <table border="1"> <tr> <th>NO.</th> <th>DATE</th> <th>BY</th> </tr> <tr> <td> </td> <td> </td> <td> </td> </tr> <tr> <td> </td> <td> </td> <td> </td> </tr> <tr> <td> </td> <td> </td> <td> </td> </tr> </table>	NO.	DATE	BY										<p>PROJECT: <b>MARTIN STREET BUS TERMINAL</b></p> <p>CLIENT: FIRST STUDENT, INC.</p> <p>LOCATION: CITY OF ROME, ONEIDA COUNTY, NEW YORK</p>	<p>DWG. TITLE: <b>EROSION, SEDIMENT CONTROL &amp; LANDSCAPING PLAN</b></p>	<p>PROJECT No.: 2024074        FILE NAME.: C301        SCALE: 1"=40'        DATE: Oct. 2024        ENGD BY: GAH        DRAWN BY: GAH        CHECKED BY: JFC</p>	<p>SHEET NO.: <b>C301</b></p> <p>© Plumley Engineering, P.C. 2024</p>
	NO.	DATE	BY															
<p>These plans &amp; specifications are the property of Plumley Engineering, P.C. These documents may not be copied, reproduced, used or implemented in any way, in part or in whole, without the written consent of Plumley Engineering, P.C. All common law rights of copyright are hereby asserted and reserved.</p>																		

### Erosion & Sediment Control Specifications

- One week prior to beginning earthwork operations, a pre-construction meeting will be held to discuss the Erosion and Sediment Control Plan and to finalize the paperwork for the Stormwater Pollution Prevention Plan.
- Erosion and sediment control measures shall be provided prior to beginning any land disturbance activities. The devices providing protection to a given area shall not be removed until the disturbed lands in that area are stabilized.
- No disturbed area shall remain exposed for more than 14 calendar days, except for portions of the site in which work will be continuous beyond 14 days.

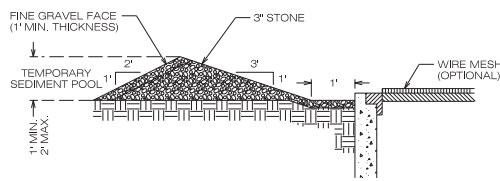
**Construction Sequence:**

- Utilize existing stabilized construction entrance for access to and from the construction site.
- Install silt fence as indicated.
- Construct stormwater management basins and permanent and temporary drainage swales. Place check dams within the swales, as shown on the Plans.

Note that the basins and all swales are to be seeded and mulched for vegetative cover immediately after grading. Refer to the Plan details for specifics on the seeding and mulching for the individual temporary devices.

- Begin earthwork and grading operations (all areas).
  - A. Provide silt fencing around perimeter of staged topsoil and/or temporarily staged piles of fill.
  - B. During grading operations, install and maintain temporary drainage swales and silt fencing to provide positive drainage into the basins. Preliminary locations of the swales and silt fencing are shown on the plan. Additional swales shall be constructed as required during the grading operations.
- Install utilities. Contractor is to protect all utilities from sediment infiltration.
- Remove temporary erosion control devices once vegetation has been established and/or paving is completed.

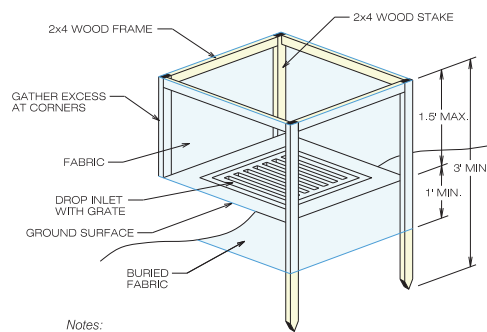
Refer to Stormwater Pollution Prevention Plan for additional information.



**Construction Specifications:**

- To be used once stone sub-base/pavement has been placed around structure.
- Use clean stone or gravel (1/2-3/4-inch in diameter) placed on a 2:1 slope or flatter.
- A 1-foot thick layer of the filter stone will be placed against the 3-inch stone as shown on the drawing.
- Hardware cloth or 1/2" wire mesh may be placed over grate.

**Stone Inlet Protection Detail**  
Not To Scale



**Notes:**

- Filter fabric shall have an equivalent opening size (EOS) of 40 to 85. Burlap may be used for short term applications.
- Cut fabric from a continuous roll to eliminate joints. If joints are needed they will be overlapped to the next stake.
- Stakes will be standard 2"x4" wood or metal with a minimum length of 3 feet.
- Space stakes evenly around inlet 3 feet apart and drive a minimum 18 inches deep. Spans greater than 3 feet may be bridged with the use of wire mesh behind the filter fabric for support.
- Fabric shall be embedded 1 foot minimum below ground and backfilled. It shall be securely fastened to the stakes and frame.
- A 2"x4" wood frame shall be completed around the crest of the fabric for overflow stability.
- Maximum drainage area 1 acre.

**Filter Fabric Inlet Protection**  
Not To Scale

**Inspection and Maintenance Procedures:**

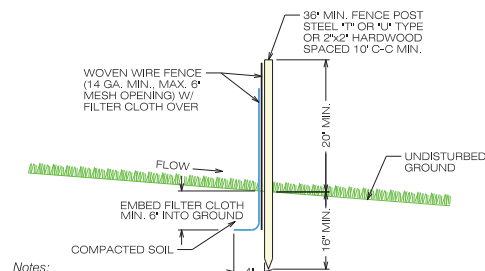
- During construction, the contractor will be responsible for inspecting and maintaining the permanent and temporary erosion control facilities. Areas that have been seeded will be inspected regularly after seed germination to ensure complete coverage of exposed areas.
- Inspections of all devices should be completed weekly and after each rainfall event. Repairs should be completed immediately upon discovery.

The contractor will designate a qualified person(s) to perform the following inspections:

- A. **Stabilization Measures:** Disturbed areas and areas used for storage of materials that are exposed to precipitation will be inspected for evidence of, or the potential for, pollutants entering the drainage system. After a portion of the site is finally stabilized, inspections will be conducted in that area at least once every month throughout the life of the project.
- B. **Structural Controls:** Silt fencing and all other erosion and sediment control measures identified in the Plan will be inspected regularly for proper positioning, anchoring and effectiveness in trapping sediments. Sediment will be removed from the upstream or up-slope side of erosion and sediment control measures.

- C. **Discharge Points:** Discharge points or locations will be inspected to determine whether erosion control measures are effective in preventing significant amounts of pollutants from entering receiving waters.
- D. **Construction Entrances:** All location where vehicles enter or exit the site will be inspected for evidence of off-site sediment tracking.

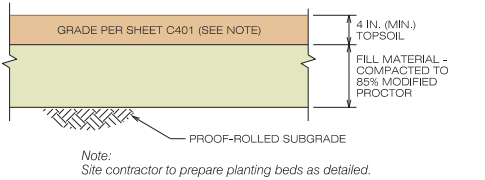
- Accumulated sediments in the stormwater management basins shall be removed when 50% of the storage capacity of the basin is filled with sediment, and at the end of construction. Sediment around the silt fencing should be removed, as needed, to maintain the functionality of the devices.
- All seeded areas shall be maintained as follows:
  - A. Identify seeded areas with stakes, string and brightly colored flagging. Protect seeded areas until vegetation has been established.
  - B. Immediately re-seed areas which do not establish vegetation.
  - C. Submit maintenance instructions for fertilizing and lawn care.



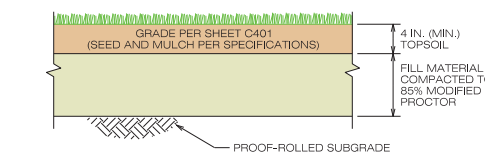
**Notes:**

- Woven wire fence to be fastened securely to fence posts with wire ties or staples.
- Filter cloth shall be Mirafi 100X, "Stabilinka T140N" or approved equal. If a prefabricated unit is utilized, use Geo Fab, Envirofence, or approved equal.
- When two sections of filter cloth adjoin each other they shall be overlapped by six inches and folded.
- Maintenance shall be performed as needed and material removed when "bulges" develop in the silt fence.

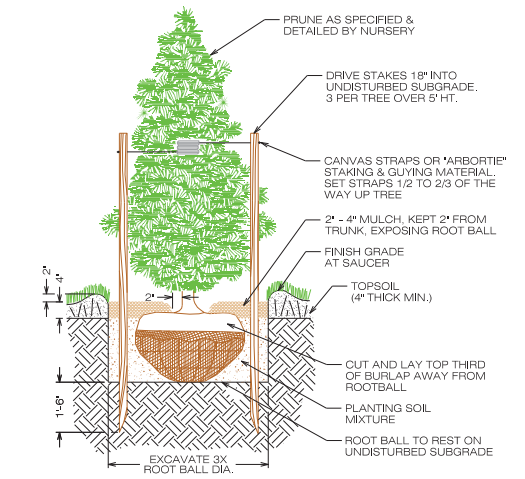
**Silt Fence Detail**  
Not To Scale



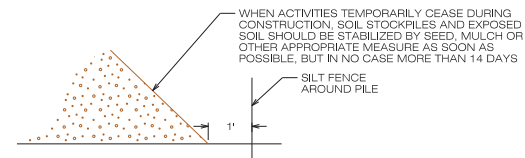
**Typical Landscaped Area Section**  
Scale: 1" = 1'-0"



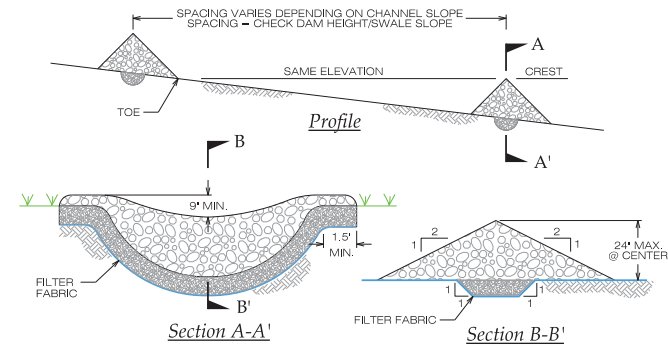
**Typical Lawn Area Section**  
Scale: 1" = 1'-0"



**Coniferous Tree Planting Detail**  
Not To Scale



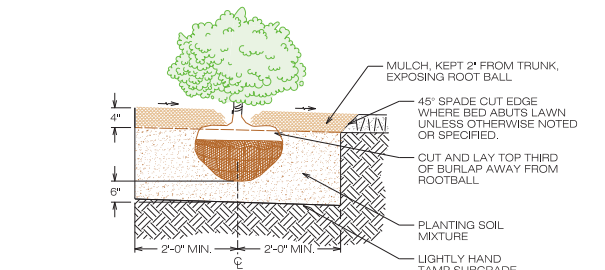
**Staged Soil Protection Detail**  
Not To Scale



**Construction Specifications:**

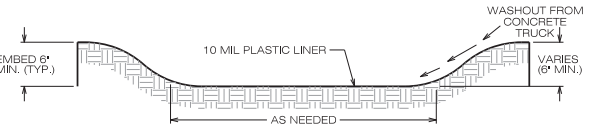
- Stone will be placed on a filter fabric foundation, and shall comply with the lines, grades and locations shown in the plan.
- Set spacing of check dams to ensure that the elevation of the crest of the downstream dam is at the same elevation as the toe of the upstream dam.
- Extend the stone a minimum of 1.5 feet beyond the ditch banks to prevent cutting around the dam.
- Protect the channel downstream of the lowest check dam from scour and erosion with stone or liner as appropriate.
- Ensure that channel appurtenances below check dams are not subject to damage or blockage from displaced stone.
- Stone Size: Use graded stone 2 to 9 inches in size (NYS DOT light stone fill meets these requirements).
- Filter Fabric: Mirafi 500X woven geotextile or approved equal.

**Check Dam Detail**  
Not To Scale



**Shrub Planting Detail**  
Not To Scale

- Shrub Planting Notes:**
- Prepare the planting area five times the diameter of the root ball or container.
  - Use a rototiller and/or spade to loosen & mix the soil to a depth of 12".



**Concrete Washout Area Detail**  
Not To Scale

- Contractor to provide a concrete wash-out area in location that will not affect any receiving water bodies. Area shall be lined with 10 mil plastic liner, with all debris and runoff maintained on site.
- Plastic liner to be free of holes, tears, or other defects that compromise the impermeability of the material.
- Washout area to be cleaned once concrete in area reaches 75% of the holding capacity. Concrete waste will be allowed to harden, with the hardened product broken up and disposed of properly.
- Coordinate elimination of washout area at end of project with Project Engineer.

### Soil Restoration Requirements

- Restoration is not permitted where there is no soil disturbance. Natural features are to be preserved.
  - Restoration is not required where there is minimal soil disturbance (i.e., clearing and grubbing).
  - In areas where only topsoil is stripped, with no change in grade, apply 4-inches of topsoil. For Hydrologic Soil Groups (HSG) C&D, aerate\* before applying topsoil. Protect the area from any ongoing construction activities.
  - In areas of cut or fill, aerate and apply 4-inches of topsoil for HSG A&B. Apply full soil restoration\*\* for HSG C&D.
  - Apply full soil restoration (de-compaction and compost enhancement) in heavy traffic areas on-site.
  - Restoration is not required in areas where runoff reduction and/or infiltration practices are applied, but may be applied to enhance the reduction specified for appropriate practices. Keep construction equipment from crossing these areas. To protect newly installed practice from any ongoing construction activities, construct a single-phase operation fence area.
  - Soil restoration is required on redevelopment projects in areas where existing impervious area will be converted to pervious area.
  - During periods of relatively low to moderate subsoil moisture, the disturbed subsoils are returned to rough grade and the following soil restoration steps applied:
    - A. Apply 3-inches of compost over subsoil.
    - B. Till compost into subsoil to a depth of at least 23 inches, mixing and circulating air and compost into subsoils.
    - C. Rock-pick until uplifted stone/rock materials of 4 inches and larger size are cleaned off the site. D. Apply topsoil to a depth of 4-inches & vegetate as required by Plans.
- \* Aeration includes the use of machines such as tractor-drawn implements with coulters making a narrow slit in the soil, a roller with many spikes making indentations in the soil, or prongs which function like a mini-subsoiler.  
 \*\* Per "Deep Ripping and De-Compaction, DEC 2008".

### Landscape Specifications

**Topsail:**  
Provide from an off-site, approved source, when stripped and stockpiled quantity is inadequate to provide four inches (4") settled depth of topsail for lawn areas.  
Topsail material shall conform to the requirements of NYSDOT Specification Section 713, or shall be suitable material approved by the Project Engineer.  
Minimum thickness of 4-inches (settled depth).

Areas receiving topsail shall be left neatly graded and ready to receive seeding.  
**Seeding:**  
Work for seeding shall consist of preparing ground surface, furnishing and installing fertilizer, seeding and mulching disturbed areas, areas indicated by the plans, standard details and in areas directed by the Project Engineer.

Materials for seed, fertilizer and mulch shall conform to the requirements of NYSDOT Specification Section 713, or shall be approved by the Project Engineer.  
The areas to receive seeding shall be thoroughly prepared prior to seeding. Seed and fertilizer shall be spread in the amount specified and shall be evenly distributed in the areas to be seeded.  
Acceptable material in a seed mixture other than pure live seed consists of nonviable seed, chaff, hulls, live seed of crop plants and inert matter. The percentage of weed seed shall not exceed 0.1% by weight.

**Suggested Seed Mix (or equal):**

DISTURBED AREAS			
NAME	AMOUNT BY WEIGHT	PURITY	% GERMINATION
KENTUCKY BLUEGRASS	55% (MIN.)	95%	80%
PERENNIAL RYEGRASS	20% (MAX.)	98%	90%
RED FESCUE*	25% (MIN.)	97%	85%
TOTAL	100%		

- Bluegrass blend shall consist of a minimum of 2 of the following varieties in approximately equal proportions: Adelphi, Shain Rock, Merit, Visa, Fyking, Merion, Pennstar, Vicla, Delta, Kenblue, Newport and Park.
- Three or more of the following varieties: Citation II, Derby, Regal Palmer, Manhattan II, NK-100, NK-200, Norlea, Pennline, Pennant, Wizard, Repal, Pinnacle and Yorktown II or III.
- SR5000 is acceptable.

**WATERWAYS (SWALES/DETENTION BASIN/SEDIMENT BASINS)**

NAME	lbs/ACRE	lbs/1,000 SQ. FT.
KENTUCKY BLUEGRASS	25	0.6
CREeping RED FESCUE	20	0.5
PERENNIAL RYEGRASS	10	0.2
TOTAL	55	1.3

**Suggested Fertilizer (or equal):**  
Type 10-0-4 fertilizer  
Applied at a rate of 25 pounds per 1,000 square feet.  
Mulch (hay or straw) shall be applied at the rate of 2 tons per acre, and shall be anchored with a commercially available mulch anchorage product, if necessary.  
Anchoring: Use light-weight paper, jute, wood fiber, plastic or Excelsior E-Staple to protect seed & mulch and secure same to slopes.

Applicant: First Student, Inc.  
Address: 6700 Martin Street  
Rome, NY 13440



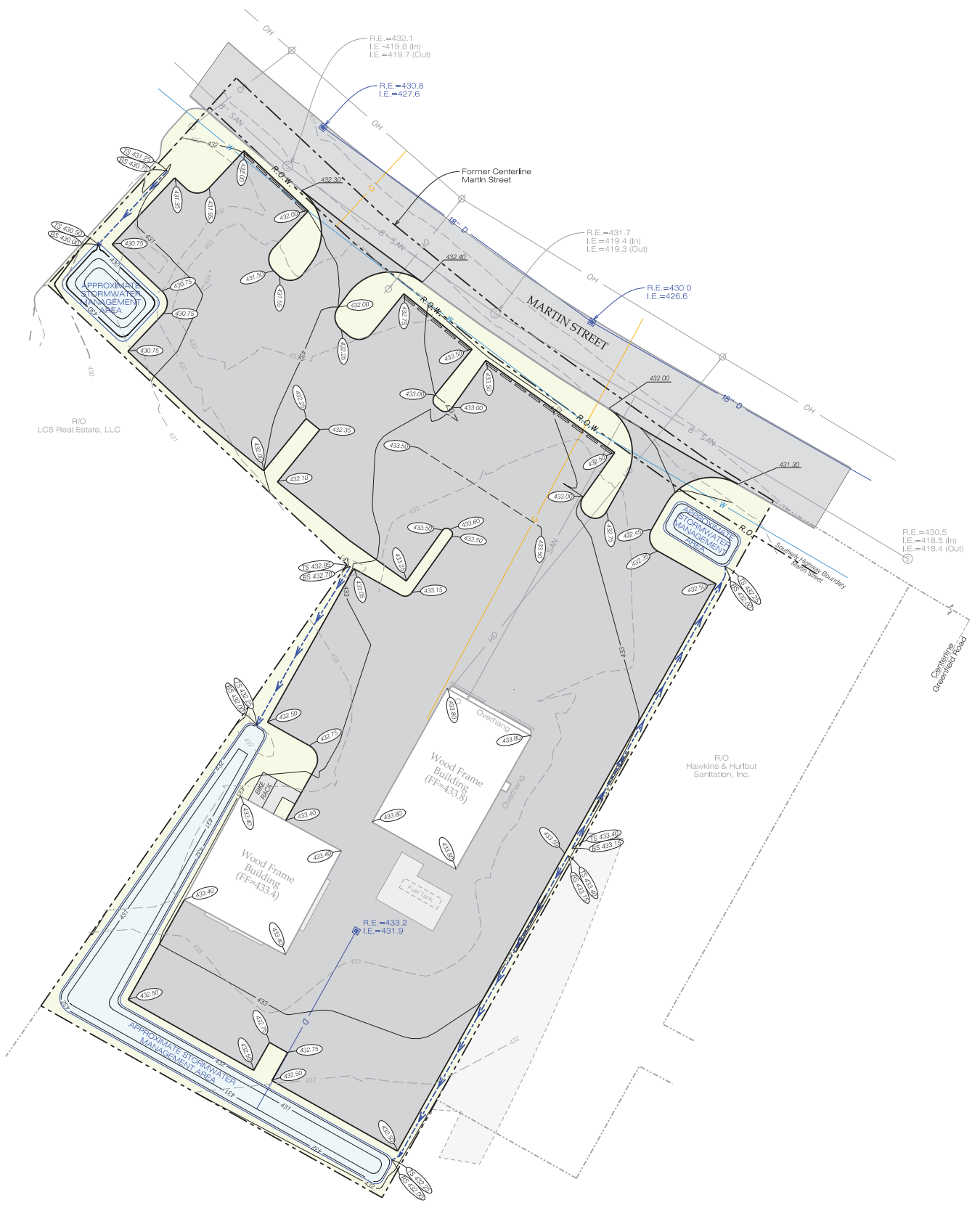
PLUMLEY ENGINEERING, P.C.  
8232 LOOP ROAD  
BALDWINVILLE, NY 13027  
TELEPHONE: (315) 638-8587  
FAX: (315) 638-9740  
WWW.PLUMLEYENG.COM

REVISIONS:	DATE:	BY:

PROJECT: **MARTIN STREET BUS TERMINAL**  
CLIENT: FIRST STUDENT, INC.  
LOCATION: CITY OF ROME, ONEIDA COUNTY, NEW YORK

DWG. TITLE: **EROSION, SEDIMENT CONTROL & LANDSCAPING DETAILS & SPECIFICATIONS**  
Note: No alteration permitted hereon except as provided under Section 7209 Subdivision 2 of the New York State Education Law.

PROJECT No.: 2024074  
FILE NAME.: C302  
SCALE: AS NOTED  
DATE: Oct. 2024  
ENGD BY: GAH  
DRAWN BY: GAH  
CHECKED BY: JFC  
SHEET NO.: **C302**  
© Plumley Engineering, P.C. 2024



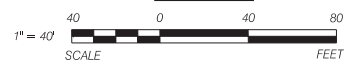
Existing		Proposed	
---	Property Line	---	Drainage Swale
- - - R.O.W. - - -	Right of Way	---	Topographic Contour
---	Lot Line	---	Ridge Line
R/O	Reputed Owner	○	Final Grade
OH	Overhead Utility	○	Top of Swale
⊘	Utility Pole	○	Bottom of Swale
8" SAN	Sanitary Sewer w/ Size		
⊙	Sanitary Manhole		
G	Gas Main		
12" D	Drainage Pipe w/ Size		
■	Drainage Catch Basin		
W	Water Main		
---	Topographic Contour		

Applicant: First Student, Inc.  
Address: 6700 Martin Street  
Rome, NY 13440

**General Responsibilities of Contractors**

1. Site contractor is responsible for contacting the appropriate underground protection agency with adequate advance notice of the work. Utility locations shown on the drawings are not to be considered accurate or complete. No work shall begin on the site until all utilities in the area are marked. Care shall be taken to not disturb any existing buried utilities. Contractor shall bear sole responsibility for damage to existing utilities.
2. The site contractor is responsible for properly removing & disposing of all structures, fencing, trees & other debris as encountered in accordance with Federal, State & Local regulations.
3. Site contractor is responsible for all utility services & connections. All utility trenching (excavation, bedding material, backfill, and compaction) to be performed by the site contractor including light pole foundations. Contractor to coordinate all utility connections with appropriate utility agencies & applicable contractors.
4. Site contractor responsible for establishing grass over all disturbed areas not designated within project limits for pavement or landscaping.

Plan View



PLUMLEY ENGINEERING, P.C.  
8232 LOOP ROAD  
BALDWINVILLE, NY 13027  
TELEPHONE: (315) 638-8587  
FAX: (315) 638-9740  
WWW.PLUMLEYENG.COM

REVISIONS:	DATE:	BY:

These plans & specifications are the property of Plumley Engineering, P.C. These documents may not be copied, reproduced, used or implemented in any way, in part or in whole, without the written consent of Plumley Engineering, P.C. All common law rights of copyright are hereby asserted and reserved.

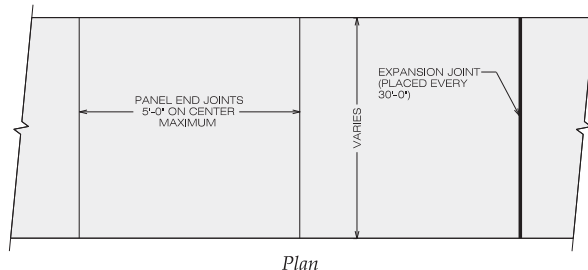
PROJECT: **MARTIN STREET BUS TERMINAL**  
CLIENT: **FIRST STUDENT, INC.**  
LOCATION: **CITY OF ROME, ONEIDA COUNTY, NEW YORK**

DWG. TITLE: **PAVING, GRADING & DRAINAGE SYSTEMS PLAN**

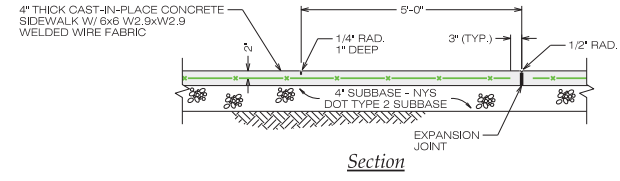
PROJECT No.: 2024074  
FILE NAME: C401  
SCALE: 1"=40'  
DATE: Oct. 2024  
ENGD BY: GAH  
DRAWN BY: GAH  
CHECKED BY: JFC

SHEET NO.: **C401**  
© Plumley Engineering, P.C. 2024

Note: No alteration permitted hereon except as provided under Section 7209 Subdivision 2 of the New York State Education Law.



**Plan**

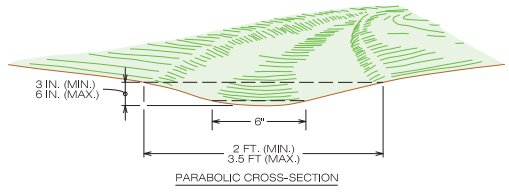


**Section**

- Notes:
- Concrete shall be 3,000 psi (min.) and have a broom finish.
  - Expansion joints shall be non-rising, premolded mastic and shall be located on 30'-0" centers (max.).

**Sidewalk Details**  
Not To Scale

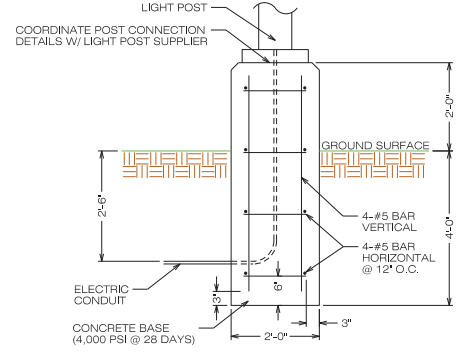
Note:  
Substitutions and/or materials by different manufacturers may be used, provided they meet the performance requirements and are pre-approved by the City & the Project Engineer.



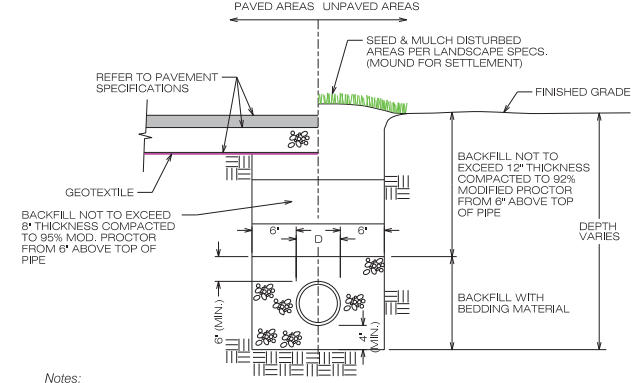
**PARABOLIC CROSS-SECTION**

- Construction Specifications:
- All trees, brush, stumps, obstructions, and other objectionable material shall be removed and disposed of so as not to interfere with the proper functioning of the waterway.
  - The waterway shall be excavated or shaped to line, grade, and cross section as required to meet the criteria specified herein, and be free of bank projections or other irregularities which will impede normal flow.
  - Fills shall be compacted as needed to prevent unequal settlement that would cause damage in the complete waterway.
  - All earth removed and not needed in construction shall be spread or disposed of so that it will not interfere with the functioning of the waterway.
  - Stabilization shall be completed according to the appropriate standards and specifications for vegetative practices.
- A. For design velocities of less than 3.5 feet per second, seeding and mulching may be used for the establishment of the vegetation. It is recommended that, when conditions permit, temporary diversions or other means should be used to prevent water from entering the waterway during the establishment of the vegetation.

**Grassed Swale Detail**  
Not To Scale



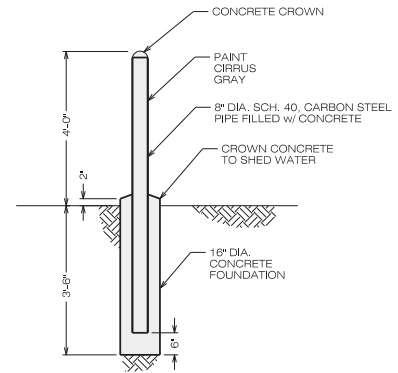
**Light Base Detail**  
SCALE: 1/2" = 1'-0"



Notes:

- All excavation work shall be in conformance with the specifications detailed in OSHA's standards and interpretations, Subpart P: Section 1926.650 through 1926.652.
- The trench shall be excavated 4 inches deeper than the final pipe invert or structure base grade.
- A 4-inch thick bedding material shall be placed to support the pipe and structures.
- Bedding shall consist of naturally or artificially graded mixture of natural or crushed stone and natural sand (ASTM D 2940), except with 100% passing a 2-inch (25 mm) sieve and not more than 8% passing a number 200 (0.075 mm) sieve. Refer to the Soil & Aggregate Table for additional information.
- The bedding material shall be firmly tamped using a vibratory plate tamper.
- The area under the pipe shall be fully supported by the bedding material.
- Bedding material shall be placed to a depth of at least 6 inches above the top of the pipe. Care shall be taken so that the material is packed under the haunches of the pipe. The pipe is not to be moved during the material placement.
- The remaining portion of the trench shall be backfilled with suitable fill material, refer to the Soil & Aggregate Table for additional information. Large rocks, organic matter, and/or debris shall be removed from the excavated material before backfilling. Care shall be taken not to disturb the pipe alignment while backfilling.

**Typical Trench Detail**  
Not To Scale



**Bollard Detail**  
Not To Scale

**Pavement Striping Notes**

- All pavement markings and signage shall be applied or installed in conformance with the City of Rome.
- Paint to meet NYSDOT Standard Specification 727-09.
  - White Pavement Stripes - 20 mils
  - Yellow Pavement Stripes - 20 mils
  - White Pavement Letters - 20 mils
  - White Pavement Symbols - 20 mils
- Do not apply pavement paints during rain or snow, or when relative humidity or ambient temperatures are outside the ranges required by the paint product manufacturer. Remove foreign particles to promote adhesion of finishing materials.
- Apply products in accordance with manufacturer's instructions.
- Refer to Site Plan Sheet C201 for pavement striping information.
- All striping shall be 4" wide and in color indicated unless otherwise noted. Cross hatching shall be placed on 45° angles & 16" centers.

**Paving Material Table**

ITEM	NYSDOT MATERIAL & SPECIFICATIONS ITEM No.	THICKNESS	PLACEMENT
TOP COURSE	402.12	TOP COURSE WITH FRICTION	1 1/2"
BINDER	402.25	BINDER	2 1/2"
SUBBASE	304.12	TYPE 2 SUBBASE	8"
GEOTEXTILE	207.21	MIRAFI HP370 WOVEN GEOTEXTILE	AS NEEDED
SUBGRADE	NA	NA	NA

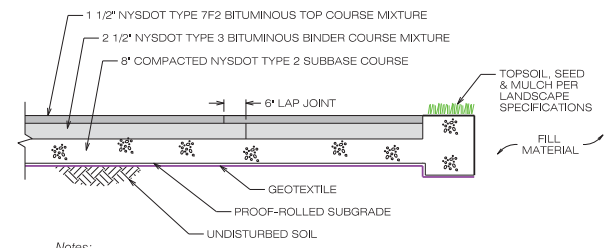
\* MARSHALL DENSITY  
NA NOT APPLICABLE

**Soil & Aggregate Table**

GENERAL DESCRIPTION	MATERIAL CLASSIFICATION	USE	PLACEMENT	COMPACTION *
ON-SITE SUBSOIL - UNSUITABLE FOR STRUCTURAL FILL	FIELD/LABORATORY DETERMINATION REQUIRED	UNCLASSIFIED FILL MATERIAL (GRASS AREAS)	≤ 12" LIFT	92%
ON-SITE SUBSOIL - SUITABLE FOR STRUCTURAL FILL	FIELD/LABORATORY DETERMINATION REQUIRED	UNCLASSIFIED FILL MATERIAL (GRASS AREAS), TRENCH BACKFILL (NON TRAFFIC AREAS)	≤ 12" LIFT	92%
IMPORTED TOPSOIL	MEETING NYSDOT SPECIFICATION SEC. 713-01	TOPSOIL	4" LIFT	85%
BEDDING MATERIAL	MEETING NYSDOT SPECIFICATION 203.07; EXCEPT WITH 100% PASSING THE 2-INCH SIEVE AND NOT MORE THAN 8% PASSING THE No. 200 SIEVE.	BEDDING MATERIAL	≤ 8" LIFT	95%
GENERAL FILL	MEETING NYSDOT ITEM NO. 203.05	TRENCH BACKFILL, GENERAL FILL	≤ 8" LIFT	95%
GRANULAR/STRUCTURAL FILL	MEETING NYSDOT ITEM NO. 203.07/203.21	TRENCH BACKFILL, GENERAL FILL, STRUCTURAL FILL	≤ 8" LIFT	95%
STONE FILL (LIGHT)	MEETING NYSDOT ITEM NO. 620.03	CULVERT OUTLET PROTECTION	N/A	N/A

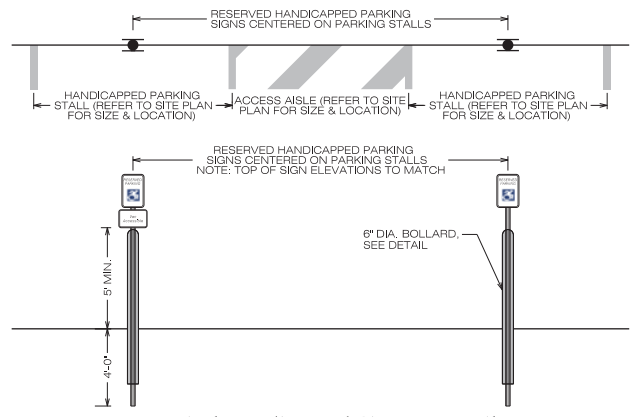
\* Percent of modified Proctor maximum dry density.

- Notes:
- Ref: NYSDOT Standard Specifications - Construction and Materials, September 1, 2024.
  - Project Engineer reserves the right to specify selected backfill material.



- Notes:
- For edge of pavement locations abutting grass areas extend subbase 6" beyond edge of pavement.
  - All underground utilities shall be installed prior to placing road subbase.
  - Refer to Paving Material Table on this Sheet for further information.

**Typical Pavement Section**  
Not To Scale



**Typical Handicapped Signage Detail**  
Not To Scale



PLUMLEY ENGINEERING, P.C.  
8232 LOOP ROAD  
BALDWINVILLE, NY 13027  
TELEPHONE: (315) 638-8587  
FAX: (315) 638-9740  
WWW.PLUMLEYENG.COM

REVISIONS:	DATE:	BY:

PROJECT: **MARTIN STREET BUS TERMINAL**  
CLIENT: **FIRST STUDENT, INC.**  
LOCATION: **CITY OF ROME, ONEIDA COUNTY, NEW YORK**

DWG. TITLE: **PAVING, GRADING & DRAINAGE SYSTEMS DETAILS & SECTIONS**

PROJECT No.: 2024074  
FILE NAME: C402  
SCALE: AS NOTED  
DATE: Oct. 2024  
ENGD BY: GAH  
DRAWN BY: GAH  
CHECKED BY: JFC

SHEET NO.: **C402**

© Plumley Engineering, P.C. 2024

Dimensions of drawings that have been scaled or converted from PDF files or scanned /submitted images are approximate.

The IES no longer uses the Cutoff Classification System for LED fixtures. The IES classifies LED fixtures with the BUG rating which refers to the Backlight-Uplight-Glare system. An Uplight of 'U0' most closely matches the old Full Cutoff rating.



PROPERTY LINE A

PROPERTY LINE B



**PHOTOMETRIC EVALUATION  
NOT FOR CONSTRUCTION**

Based on the information provided, all dimensions and luminaire locations shown represent recommended positions. The engineer and/or architect must determine the applicability of the layout to existing or future field conditions.

This lighting plan represents illumination levels calculated from laboratory data taken under controlled conditions in accordance with The Illuminating Engineering Society (IES) approved methods. Actual performance of any manufacturer's luminaires may vary due to changes in electrical voltage, tolerance in lamps/LED's and other variable field conditions. Calculations do not include obstructions such as buildings, curbs, landscaping, or any other architectural elements unless noted. Fixture nomenclature noted does not include mounting hardware or poles. This drawing is for photometric evaluation purposes only and should not be used as a construction document or as a final document for ordering product.

Label	CalcType	Units	Avg	Max	Min	Avg/Min	Max/Min	Grid Z
ALL CALCS AT GRADE	Illuminance	Fc	0.35	6.1	0.0	N.A.	N.A.	0
PROPERTY LINE A	Illuminance	Fc	0.07	0.3	0.0	N.A.	N.A.	N.A.
PROPERTY LINE B	Illuminance	Fc	0.13	0.3	0.0	N.A.	N.A.	N.A.
PARKING AND DRIVE	Illuminance	Fc	1.39	5.8	0.3	4.63	19.33	

Symbol	Qty	Label	Arrangement	Description	Mounting Height	LLD	LLF	Arr. Lum. Lumens	Arr. Watts	BUG Rating
	4	A	Single	VALS-15L-4M-50K8-IS-SINGLE	22'	1000	0.940	10239	91	B0-U0-G2
	1	B	2 @ 90	VALS-15L-4M-50K8-IS-SINGLE	22'	1000	0.940	20478	182	B0-U0-G2
	1	C1	Single	VALS-15L-LC-50K8-IS-SINGLE	22'	1000	0.940	6624	91	B1-U0-G3
	2	C2	Single	VALS-15L-RC-50K8-IS-SINGLE	22'	1000	0.940	6624	91	B1-U0-G3
	9	D	Single	VALS-15L-4W-50K8-IS-SINGLE	22'	1000	0.940	8943	91	B0-U0-G3
	6	W1	Single	WPSLS-02L-50	8'	1000	0.900	2418	19.87	B1-U0-G0
	4	W2	Single	XWS-LED-03L-SIL-FT-50-70CR1	10'	1000	0.950	3012	19	B1-U0-G1

Total Project Watts  
Total Watts = 183322

LIGHTING PROPOSAL LD-161291

MARTIN STREET BUS TERMINAL  
MARTIN STREET  
ROME, NY

DATE: 08/17/24 REV: SHEET 1 OF 1

SCALE: 1"=40'





---

AX7 Lighting  
7063 Interstate Island Rd  
Syracuse, NY 13209

ax7ltg.com

## **Submittal Package**

Original for Approval

# **MARTIN STREET BUS TERMINAL**

101724RC01S

### **Bid Date**

10/17/2024

### **Prepared For**

PLUMLEY ENGINEERING, P.C.  
GEOFF HILLENBRAND  
8232 LOOP ROAD  
BALDWINVILLE, NY 13027

### **Created By**

Alex Newman

Project: MARTIN STREET BUS TERMINAL

10/17/2024



To: PLUMLEY ENGINEERING, P.C.  
GEOFF HILLENBRAND  
8232 LOOP ROAD  
BALDWINVILLE, NY 13027

## Bill of Materials

Click line item to go to spec sheet.

#	Type	Mfg	Description
1	A	LSI	VALS-15L-4M-UNV-50K7-BLK-SA-IS
2	A	LSI	4SQ-B3-S11G-20-S-BLK-AB/BC
3	B	LSI	VALS-15L-4M-UNV-50K7-BLK-SA-IS
4	B	LSI	4SQ-B3-S11G-20-DN90-BLK-AB/BC
5	C	LSI	VALS-15L-LC-UNV-50K7-BLK-SA-IS
6	C	LSI	4SQ-B3-S11G-20-S-BLK-AB/BC
7	C2	LSI	VALS-15L-RC-UNV-50K7-BLK-SA-IS
8	C2	LSI	4SQ-B3-S11G-20-S-BLK-AB/BC
9	D	LSI	VALS-15L-4W-UNV-50K7-BLK-SA-IS
10	D	LSI	4SQ-B3-S11G-20-S-BLK-AB/BC
11	W1	LSI	WPSLS-02L-50-PCI120-BLK
12	W2	LSI	XWS-LED-03L-SIL-FT-UNV-DIM-50-70CRI-BLK
13	NOTE		GEOFF- U NEED TO ADD BB SUFFIX TO ANY MAN DOOR WAL PAKS
14	NOTE		FOR EGRESS /LIFE SAFETY CODE
15	NOTE		IF WE HAVE ANY OF THE TYPE W I WALL PACKS OVER MAN DOORS-
16	NOTE		I WILL HAVE TO GO TO THE TYPE W2 IN PLACE OF THESE TO ACCOMODATE
17	NOTE		EM BATTERY IN THE WALL PACKS.
18	NOTE		ASSUME U WILL PLACE POLES ON 2FT PIER ABOVE GRADE**



Catalog #: \_\_\_\_\_ Project: \_\_\_\_\_ Type: \_\_\_\_\_  
Prepared By: \_\_\_\_\_ Date: \_\_\_\_\_

## V-Locity Small (VALS)

### Outdoor LED Area Light



OVERVIEW	
Lumen Package	6,000 - 27,000
Wattage Range	36 - 178
Efficacy Range (LPW)	96 - 171
Weight lbs(kg)	20 (9.1)
Control Options	IMSBT, ALB, ALS, 7-Pin, PCI

#### QUICK LINKS

[Ordering Guide](#)

[Performance](#)

[Photometrics](#)

[Dimensions](#)

#### FEATURES & SPECIFICATIONS

##### Construction

- Rugged die-cast aluminum housing contains factory prewired driver and optical units. Cast aluminum wiring access door located underneath.
- Self-contained optic, board and heat sink assembly can be rotated or replaced in the field.
- Fixtures are finished with LSI's DuraGrip® polyester powder coat finishing process. The DuraGrip finish withstands extreme weather changes without cracking or peeling. Other standard LSI finishes available. Consult factory.
- Shipping weight: TBD lbs in carton.

##### Optical System

- State-of-the-Art acrylic optics delivers industry leading optical control with an integrated gasket to provide IP66 rated seal.
- Proprietary refractor optics provide exceptional coverage and uniformity in distribution types 2, 3M, 3W, 4M, 4W, 4F, FTM, 5QN, 5QM, 5Q, 5QW, AM, WF and LC/RC.
- Available in 5000K, 4000K, 3500K, 3000K and 2700K color temperatures per ANSI C78.377 as well as phosphor converted amber.
- Minimum CRI of 80 (optional 70 CRI for 5000K and 4000K).
- Factory or field installable integral shielding available for enhanced spill light control.
- Zero Uplight (excludes adjustable arms).

##### Electrical

- High-performance driver features over-voltage, under voltage, short-circuit and over temperature protection.
- 0-10 volt dimming (10% - 100%) standard, must specify EXT option for dimming leads to be extended to fixture exterior.
- Standard Universal Voltage (120-277 VAC) Input 50/60 Hz or optional High Voltage (347-480 VAC).
- L70 Calculated Life: >60k Hours
- Total harmonic distortion: <20%
- Operating temperature: -40°C to +50°C (-40°F to +122°F).
- Power factor: >.90
- Input power stays constant over life.
- Field replaceable 10kV surge protection device meets a minimum Category C Low operation (per ANSI/IEEE C62.41.2).
- High-efficacy LEDs mounted to metal-core circuit board to maximize heat dissipation
- Driver is fully encased in potting material for moisture resistance and complies with FCC standards. Driver and key electronic components can easily be accessed.

##### Controls

- Optional integral passive infrared Bluetooth™ motion and photocell sensor. Fixtures operate independently and can be commissioned via iOS or Android configuration app.
- LSI's AirLink™ wireless control system options reduce energy and maintenance costs while optimizing light quality 24/7.

##### Installation

- REDiMount pole mount arm allows for a true one person installation.
- Side arm pole mount designed to mount to square or round poles.
- Pole mount arms can accommodate pole drill patterns from 2.4 to 5" on center and utilize LSI's reduced B3 or traditional B5 drill patterns.
- Additional mounting options are available including a mast arm or adjustable slip fitter that allow for luminaire attachment to a 2 3/8" tenon or mast arm.
- Adjustable arms allow for 65° of tilt (-5° below horizontal to +60° above horizontal) in 5° increments.

##### Warranty

- LSI luminaires carry a 5-year limited warranty. Refer to <https://www.lsicorp.com/resources/terms-conditions-warranty/> for more information.

##### Listings

- Listed to UL 1598 and UL 8750.
- Meets Buy American Act requirements.
- DarkSky approved with 3000K or warmer color temperature selection (side arm pole and mast arm mounting only).
- Title 24 Compliant; see local ordinance for qualification information.
- Suitable for wet locations.
- IP66 rated Luminaire per IEC 60598-1.
- 3G rated for ANSI C136.31 high vibration applications are qualified.





Date: 10/17/2024

Project: MARTIN STREET BUS TERMINAL

Description: VALS-15L-4M-UNV-50K7-BLK-SA-IS

Line Item#: 1  
Go to Bill of Materials

Type: A

Powered by 4submittal.com

# V-Locity Small (VALS) Outdoor LED Area Light

Type : \_\_\_\_\_

Have questions? Call us at (800) 436-7800

## ORDERING GUIDE

[Back to Quick Links](#)

TYPICAL ORDER EXAMPLE: VALS 18L 4W UNV 40K8 BLK SA ALBMR2LR IS						
Prefix	Lumen Package	Distribution	Orientation <sup>2</sup>	Voltage	Color Temp / Rendering	Finish
VALS - V-Locity Area Light Small	6L - 6,000 lms, 36W 9L - 9,000 lms, 54W 12L - 12,000 lms, 74W 15L - 15,000 lms, 91W 18L - 18,000 lms, 111W 21L - 21,000 lms, 130W 24L - 24,000 lms, 155W 27L - 27,000 lms, 178W Custom Lumen Packages <sup>1</sup>	2 - Type 2 3M - Type 3 Medium 3W - Type 3 Wide 4M - Type 4 Medium 4F - Type 4 Forward 4W - Type 4 Wide FTM - Forward Throw Medium 5QN - Type 5 Square Narrow 5QM - Type 5 Square Medium 5Q - Type 5 Square 5QW - Type 5 Square Wide AM - Automotive Merchandise WF - 6x6 Wide Flood LC - Left Corner RC - Right Corner	(Blank) - Standard L - Optics rotated left 90° R - Optics rotated right 90°	UNV - Universal Voltage (120-277V) HV - High Voltage (347-480V)	50K7 - 5000 CCT - 70 CRI 50K8 - 5000 CCT - 80 CRI 40K7 - 4000 CCT - 70 CRI 40K8 - 4000 CCT - 80 CRI 35K8 - 3500 CCT - 80 CRI 30K8 - 3000 CCT - 80 CRI 27K8 - 2700 CCT - 80 CRI	BLK - Black BRZ - Dark Bronze GMG - Gun Metal Gray GPT - Graphite MSV - Metallic Silver PLP - Platinum Plus SVG - Satin Verde Green WHT - White

Mounting	Controls (Choose One)	Options
SA - Universal Side Arm Pole Mount SF - Adjustable Slip Fitter UA - Universal Adjustable Pole Mount Arm MA - Mast Arm	(Blank) - None  <b>Wireless Controls System</b> ALS - AirLink Synapse Control System ALSCS2 - AirLink Synapse Control System with 12-20' MH Motion Sensor ALSCS4 - AirLink Synapse Control System with 20-40' MH Motion Sensor  ALBMR1LR - AirLink Blue Long Range Wireless Multi-Range Sensor Controller (8-15' MH) <sup>4</sup> ALBMR2LR - AirLink Blue Long Range Wireless Multi-Range Sensor Controller (16-40' MH) <sup>4</sup>	<b>IS - Integral Shield<sup>2</sup></b> <b>TE - Toolless Entry (Mast Arm Only)</b>  <b>Stand-Alone Controls</b> EXT - 0-10v Dimming leads extended to housing exterior  CR7P - 7 Pin Control Receptacle ANSI C136.41 <sup>3</sup>  IMSBTL1 - Integral Bluetooth™ Motion and Photocell Sensor (8-24' MH) <sup>4</sup> IMSBTL2 - Integral Bluetooth™ Motion and Photocell Sensor (25-40' MH) <sup>4</sup>  PCIU - 120-277 Button Photocell PCI347 - 347V Button Photocell



Need more information?  
Click here for our glossary

Have additional questions?  
Call us at (800) 436-7800



## Accessory Ordering Information<sup>5</sup>

CONTROLS ACCESSORIES	
Description	Order Number
Twist Lock Photocell (120V) for use with CR7P	122514
Twist Lock Photocell (208-277) for use with CR7P	122515
Twist Lock Photocell (347V) for use with CR7P	122516
Twist Lock Photocell (480V) for use with CR7P	1225180
AirLink 5 Pin Twist Lock Controller	661409
AirLink 7 Pin Twist Lock Controller	661410
Shorting Cap for use with CR7P	149328

FUSING OPTIONS <sup>7</sup>	
Description	Order Number
Single Fusing (120V)	<a href="#">See Fusing Accessory Guide</a>
Single Fusing (277V)	
Double Fusing (208V, 240V)	
Double Fusing (480V)	
Double Fusing (347V)	

EXTERNAL SHIELDING OPTIONS	
Description	Order Number
1.5" External Shield	<a href="#">See Shielding Guide</a>
3" External Shield	<a href="#">Guide</a>

- Custom lumen and wattage packages available, consult factory. Values are within industry standard tolerances but not DLC listed.
- Not available on Type 5 or wide flood distributions.
- Control device or shorting cap must be ordered separately. See Accessory Ordering Information.
- Motion sensors are field configurable via the LSI app that can be downloaded from your smartphone's native app store.
- Accessories are shipped separately and field installed.
- "CLR" denotes finish. See Finish options.
- Fusing must be located in hand hole of pole. See [Fusing Accessory Guide](#) for compatibility.



## V-Locity Small (VALS) Outdoor LED Area Light

Type : \_\_\_\_\_

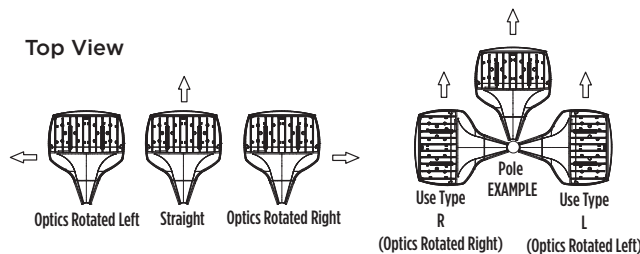
Have questions? Call us at (800) 436-7800

### ACCESSORIES

MOUNTING ACCESSORIES		SHIELDING, POLES & MISC. ACCESSORIES		
Side Arm	<b>Bullhorn Bracket</b> Mounts onto a 2" (51mm) IP, 2.375" (60mm) O.D. tenon and allows for mounting up to 4 adjustable slip fitter mount luminaires <b>Part Number: BKS PTB 2 CLR / BKS PTB 12 CLR (2 Luminaires)</b> <b>Part Number: BKS PTB 3-30 CLR / BKS PTB 13-30 CLR (3 Luminaires)</b> <b>Part Number: BKS PTB 4 CLR / BKS PTB 14 CLR (4 Luminaires)</b>		<b>Integral Shield for Asymmetric Distributions</b> Field Install Integral shield provides maximum backlight control by shielding each individual row of LEDs with minimal impact on Street/front side distribution (includes 2 shields) <b>Part Number: 839727</b>	
	<b>Flood Wall Mount Bracket</b> Mounts onto vertical wall surface (hardware/anchors not included) <b>Part Number: BKS FMW 5 CLR (5" Straight Version)</b> <b>Part Number: BKS FMW 18 CLR (18" Curved Version)</b>			<b>Integral Shield for Left and Right Corner Distributions</b> Field install integral shield provides cutoff from two sides for maximum spill light control when utilizing LC or RC corner distributions (includes 2 shields) <b>Part Number: TBD</b>
	<b>Bolt on Side Tenon Mount</b> Bolt on Side Tenon Mount <b>Part Number: BKSFB0 5 CLR (5" Straight Version)</b> <b>Part Number: BKSFB0 18 CLR (18" Curved Version)</b> <b>Part Number: BKSFB0 30 CLR (30" Dual Tenon Version)</b>			<b>External Shield</b> External shield blocks view of light source from anyside of luminaire, additional shielding configurations available <b>Part Number: 835696 (1.5") / 835694 (3")</b>
Tenon / Slipfitter	<b>Square Tenon Top</b> Allows to seamlessly integrate LSI luminaires to open top 4", 5" or 6" square poles with 11 ga. Or 7 ga. wall thickness <b>Part Number: BKA ISF10 _SQ CLR</b>		<b>Square Poles</b> 14 - 39" steel and aluminum poles in 4", 5" and 6" sizes for retrofit and new construction <b>Part Number: 45Q/55Q/65Q</b>	
	<b>Square Tenon Top</b> Mounts onto a 2" (51mm) IP, 2.375" (60mm) O.D. tenon and allows for mounting up to 4 luminaires <b>Part Number: BKA XMM *</b>			<b>Round Poles</b> 10 - 30" steel and aluminum poles in 4" and 5" sizes for retrofit and new construction <b>Part Number: 4RP/SRP</b>
	<b>Square Internal Slipfitter</b> Mounts inside 4" or 5" square pole and allows for mounting up to 4 luminaires <b>Part Number: BKA X_ISF * CLR</b>			<b>Tapered Poles</b> 20" - 39" steel and aluminum poles for retrofit and new construction <b>Part Number: RTP</b>
Wall Mount/Wood Pole	<b>Wall Mount Bracket</b> Mounts onto vertical wall surface ( hardware/anchors not included) <b>Part Number: BKS XBO WM CLR</b>		<b>Bird Spikes</b> 10' linear bird spike (3' recommended per luminaire) silicone adhesive (covers approximately 25' linear fee of bird spike) and application tool <b>Spike Part Number: 751631</b> <b>Adhesive Part Number: 751632</b> <b>Caulk Gun Part Number: 751636</b>	
	<b>Wood Pole Bracket</b> Mounts onto wooden poles (6" minimum OD, hardware/anchors not included) <b>Part Number: BKS XBO WP CLR</b>			

- 1 Replace CLR with paint finish description
- 2 Replace XX with SQ for square pole or RD for round pole (≥3" OD)
- 3 Replace \* with S (Single), D180 (Double @180°), D90 (Double @90°), T90 (Triple), Q90 (Quad)
- 4 Replace \_ with 4 (4" square pole) or 5 (5" square pole)

### OPTICS ROTATION



### ACCESSORIES/OPTIONS

#### Integral Shield (IS)

Integral Shield (IS) available for improved backlight control without sacrificing Street side performance. LSI's Integral Shield (IS) option delivers backlight control that significantly reduces spill light behind the pole for applications with pole locations close to adjacent properties. The design maximizes forward reflected light while reducing glare, maintaining the optical distribution selected, and most importantly eliminating light trespass. Shields rotate with the optical distribution.



#### 7 Pin Photoelectric Control

7-pin ANSI C136.41-2013 control receptacle option available for twist lock photocontrols or wireless control modules. Control accessories sold separately. Dimming leads from the receptacle will be connected to the driver dimming leads (Consult factory for alternate wiring).



## V-Locity Small (VALS) Outdoor LED Area Light

Type : \_\_\_\_\_

Have questions? Call us at (800) 436-7800

### PERFORMANCE

[Back to Quick Links](#)

Delivered Lumens (70 CRI)									
Lumen Package	Distribution	CRI	4000K CCT			5000K CCT			Wattage
			Delivered Lumens	Efficacy	BUG Rating	Delivered Lumens	Efficacy	BUG Rating	
6L	2	70	5,696	158	B1-U0-G3	5,709	157	B1-U0-G3	36
	3M		5,432	151	B1-U0-G2	5,444	150	B1-U0-G2	
	3W		5,148	143	B1-U0-G3	5,160	142	B1-U0-G3	
	4M		5,524	153	B1-U0-G2	5,537	152	B1-U0-G2	
	4F		5,251	146	B1-U0-G3	5,263	145	B1-U0-G3	
	4W		4,811	134	B1-U0-G3	4,822	133	B1-U0-G3	
	FTM		5,297	147	B1-U0-G2	5,309	146	B1-U0-G2	
	5QN		6,025	167	B2-U0-G1	6,038	166	B2-U0-G1	
	5QM		6,141	171	B3-U0-G1	6,155	169	B3-U0-G1	
	5Q		5,917	164	B3-U0-G1	5,931	163	B3-U0-G1	
	5QW		5,748	160	B3-U0-G2	5,761	159	B3-U0-G1	
	AM		5,908	164	B0-U0-G1	5,921	163	B0-U0-G1	
	WF		6,097	169	B2-U0-G0	6,111	168	B2-U0-G0	
	LC/RC		4,974	138	B1-U0-G3	4,985	137	B1-U0-G3	
9L	2	70	8,562	159	B2-U0-G3	8,581	159	B2-U0-G3	54
	3M		8,165	151	B1-U0-G3	8,184	152	B1-U0-G3	
	3W		7,739	143	B1-U0-G3	7,756	144	B1-U0-G3	
	4M		8,304	154	B1-U0-G3	8,323	154	B1-U0-G3	
	4F		7,894	146	B1-U0-G4	7,911	147	B1-U0-G3	
	4W		7,232	134	B1-U0-G3	7,248	134	B1-U0-G3	
	FTM		7,963	147	B1-U0-G2	7,981	148	B1-U0-G2	
	5QN		9,056	168	B3-U0-G1	9,077	168	B3-U0-G1	
	5QM		9,231	171	B3-U0-G2	9,252	171	B3-U0-G2	
	5Q		8,895	165	B3-U0-G2	8,915	165	B3-U0-G2	
	5QW		8,640	160	B4-U0-G2	8,659	160	B4-U0-G2	
	AM		8,880	164	B0-U0-G2	8,900	165	B0-U0-G2	
	WF		9,165	170	B3-U0-G0	9,186	170	B3-U0-G0	
	LC/RC		7,477	138	B1-U0-G3	7,494	139	B1-U0-G3	
12L	2	70	11,651	157	B2-U0-G3	11,677	158	B2-U0-G3	74
	3M		11,111	150	B1-U0-G3	11,136	151	B1-U0-G3	
	3W		10,531	142	B2-U0-G4	10,554	143	B2-U0-G4	
	4M		11,300	153	B1-U0-G3	11,325	153	B1-U0-G3	
	4F		10,741	145	B1-U0-G4	10,765	146	B1-U0-G4	
	4W		9,840	133	B1-U0-G3	9,862	133	B1-U0-G3	
	FTM		10,835	146	B1-U0-G3	10,859	147	B1-U0-G3	
	5QN		12,323	167	B3-U0-G1	12,351	167	B3-U0-G1	
	5QM		12,561	170	B4-U0-G2	12,589	170	B4-U0-G2	
	5Q		12,104	164	B4-U0-G2	12,131	164	B4-U0-G2	
	5QW		11,757	159	B4-U0-G2	11,783	159	B4-U0-G2	
	AM		12,083	163	B1-U0-G2	12,111	164	B1-U0-G2	
	WF		12,471	169	B3-U0-G1	12,499	169	B3-U0-G1	
	LC/RC		10,175	137	B2-U0-G3	10,197	138	B2-U0-G3	





Date: 10/17/2024

Project:  
MARTIN STREET BUS  
TERMINAL

Description:  
VALS-15L-4M-UNV-50K7-BLK-SA-IS

Line Item#: 1  
Go to Bill of Materials

Type: A

Powered by 4submittal.com

## V-Locity Small (VALS) Outdoor LED Area Light

Type : \_\_\_\_\_

Have questions? Call us at (800) 436-7800

### PERFORMANCE

[Back to Quick Links](#)

Delivered Lumens (70 CRI)									
Lumen Package	Distribution	CRI	4000K CCT			5000K CCT			Wattage
			Delivered Lumens	Efficacy	BUG Rating	Delivered Lumens	Efficacy	BUG Rating	
15L	2	70	14,118	155	B2-U0-G4	14,150	156	B2-U0-G4	91
	3M		13,464	148	B1-U0-G3	13,494	149	B1-U0-G3	
	3W		12,761	140	B2-U0-G4	12,789	141	B2-U0-G4	
	4M		13,693	150	B1-U0-G3	13,724	151	B1-U0-G3	
	4F		13,016	143	B2-U0-G5	13,045	144	B1-U0-G5	
	4W		11,924	131	B1-U0-G4	11,951	132	B1-U0-G4	
	FTM		13,130	144	B1-U0-G3	13,159	145	B1-U0-G3	
	5QN		14,933	164	B3-U0-G2	14,966	165	B3-U0-G2	
	5QM		15,221	167	B4-U0-G2	15,255	168	B4-U0-G2	
	5Q		14,667	161	B4-U0-G2	14,699	162	B4-U0-G2	
	5QW		14,246	157	B4-U0-G2	14,278	158	B4-U0-G2	
	AM		14,642	161	B1-U0-G2	14,675	162	B1-U0-G2	
	WF		15,112	166	B3-U0-G1	15,146	167	B3-U0-G1	
	LC/RC		12,329	135	B2-U0-G4	12,357	136	B2-U0-G4	
18L	2	70	17,086	154	B3-U0-G4	17,124	154	B3-U0-G4	111
	3M		16,294	147	B2-U0-G4	16,331	147	B2-U0-G4	
	3W		15,443	139	B2-U0-G5	15,477	139	B2-U0-G5	
	4M		16,571	149	B1-U0-G4	16,608	150	B1-U0-G4	
	4F		15,751	142	B2-U0-G5	15,786	142	B2-U0-G5	
	4W		14,430	130	B2-U0-G4	14,462	130	B2-U0-G4	
	FTM		15,889	143	B1-U0-G3	15,925	144	B1-U0-G3	
	5QN		18,072	163	B4-U0-G2	18,112	163	B3-U0-G2	
	5QM		18,420	166	B4-U0-G2	18,461	166	B4-U0-G2	
	5Q		17,749	160	B4-U0-G2	17,789	160	B4-U0-G2	
	5QW		17,241	155	B5-U0-G3	17,279	156	B5-U0-G3	
	AM		17,720	160	B1-U0-G2	17,760	160	B1-U0-G2	
	WF		18,289	165	B4-U0-G1	18,330	165	B4-U0-G1	
	LC/RC		14,920	134	B2-U0-G4	14,954	135	B2-U0-G4	



Date: 10/17/2024

Project:  
MARTIN STREET BUS  
TERMINAL

Description:  
VALS-15L-4M-UNV-50K7-BLK-SA-IS

Line Item#: 1  
Go to Bill of Materials

Type: A

Powered by 4submittal.com

# V-Locity Small (VALS) Outdoor LED Area Light

Type : \_\_\_\_\_

Have questions? Call us at (800) 436-7800

## PERFORMANCE

[Back to Quick Links](#)

Delivered Lumens (70 CRI)									
Lumen Package	Distribution	CRI	4000K CCT			5000K CCT			Wattage
			Delivered Lumens	Efficacy	BUG Rating	Delivered Lumens	Efficacy	BUG Rating	
21L	2	70	19,582	151	B3-U0-G5	19,625	151	B3-U0-G5	130
	3M		18,674	144	B2-U0-G4	18,716	144	B2-U0-G4	
	3W		17,699	136	B3-U0-G5	17,738	136	B3-U0-G5	
	4M		18,992	146	B1-U0-G4	19,034	146	B1-U0-G4	
	4F		18,053	139	B2-U0-G5	18,093	139	B2-U0-G5	
	4W		16,538	127	B2-U0-G5	16,575	127	B2-U0-G5	
	FTM		18,210	140	B1-U0-G3	18,251	140	B1-U0-G3	
	5QN		20,712	159	B4-U0-G2	20,758	159	B4-U0-G2	
	5QM		21,111	162	B5-U0-G3	21,158	162	B5-U0-G3	
	5Q		20,342	156	B5-U0-G3	20,388	156	B5-U0-G3	
	5QW		19,759	152	B5-U0-G3	19,804	152	B5-U0-G3	
	AM		20,308	156	B1-U0-G2	20,354	156	B1-U0-G2	
	WF		20,960	161	B4-U0-G1	21,007	161	B4-U0-G1	
	LC/RC		17,100	132	B3-U0-G5	17,138	132	B3-U0-G5	
24L	2	70	22,609	146	B3-U0-G5	22,660	146	B3-U0-G5	155
	3M		21,561	139	B2-U0-G4	21,610	139	B2-U0-G4	
	3W		20,435	132	B3-U0-G5	20,480	132	B3-U0-G5	
	4M		21,928	141	B1-U0-G5	21,977	142	B1-U0-G5	
	4F		20,844	134	B2-U0-G5	20,890	135	B2-U0-G5	
	4W		19,095	123	B2-U0-G5	19,138	123	B2-U0-G5	
	FTM		21,026	136	B1-U0-G4	21,073	136	B1-U0-G4	
	5QN		23,914	154	B4-U0-G2	23,967	154	B4-U0-G2	
	5QM		24,375	157	B5-U0-G3	24,430	157	B5-U0-G3	
	5Q		23,487	152	B5-U0-G3	23,540	152	B5-U0-G3	
	5QW		22,815	147	B5-U0-G3	22,865	147	B5-U0-G3	
	AM		23,448	151	B1-U0-G2	23,501	151	B1-U0-G2	
	WF		24,201	156	B4-U0-G1	24,255	156	B4-U0-G1	
	LC/RC		19,744	127	B3-U0-G5	19,788	127	B3-U0-G5	
27L	2	70	25,235	142	B3-U0-G5	25,292	142	B3-U0-G5	178
	3M		24,066	135	B2-U0-G5	24,120	136	B2-U0-G5	
	3W		22,808	128	B3-U0-G5	22,859	129	B3-U0-G5	
	4M		24,475	137	B2-U0-G5	24,530	138	B2-U0-G5	
	4F		23,265	131	B2-U0-G5	23,316	131	B2-U0-G5	
	4W		21,313	120	B2-U0-G5	21,361	121	B2-U0-G5	
	FTM		23,468	132	B2-U0-G4	23,521	133	B2-U0-G4	
	5QN		26,691	150	B4-U0-G2	26,751	151	B4-U0-G2	
	5QM		27,206	153	B5-U0-G3	27,267	153	B5-U0-G3	
	5Q		26,215	147	B5-U0-G3	26,274	148	B5-U0-G3	
	5QW		25,464	143	B5-U0-G4	25,521	144	B5-U0-G4	
	AM		26,172	147	B1-U0-G3	26,231	148	B1-U0-G3	
	WF		27,012	152	B5-U0-G1	27,073	152	B4-U0-G1	
	LC/RC		22,037	124	B3-U0-G5	22,086	125	B3-U0-G5	







Date: 10/17/2024

Project:  
MARTIN STREET BUS  
TERMINAL

Description:  
VALS-15L-4M-UNV-50K7-BLK-SA-IS

Line Item#: 1  
Go to Bill of Materials

Type: A

Powered by 4submittal.com

# V-Locity Small (VALS) Outdoor LED Area Light

Type : \_\_\_\_\_

Have questions? Call us at (800) 436-7800

## PERFORMANCE

[Back to Quick Links](#)

Delivered Lumens (80 CRI)												
Lumen Package	Distribution	CRI	2700K CCT / 80 CRI			3000K CCT / 80 CRI			3500K CCT / 80 CRI			Wattage
			Delivered Lumens	Efficacy	BUG Rating	Delivered Lumens	Efficacy	BUG Rating	Delivered Lumens	Efficacy	BUG Rating	
6L	2	80	4,843	133	B1-U0-G2	4,985	137	B1-U0-G2	5,009	138	B1-U0-G2	36
	3M		4,619	127	B1-U0-G2	4,754	131	B1-U0-G2	4,777	131	B1-U0-G2	
	3W		4,377	120	B1-U0-G3	4,505	124	B1-U0-G3	4,527	125	B1-U0-G3	
	4M		4,697	129	B0-U0-G2	4,835	133	B0-U0-G2	4,858	134	B0-U0-G2	
	4F		4,465	123	B1-U0-G3	4,595	126	B1-U0-G3	4,618	127	B1-U0-G3	
	4W		4,090	113	B1-U0-G2	4,210	116	B1-U0-G2	4,230	116	B1-U0-G2	
	FTM		4,504	124	B0-U0-G2	4,636	128	B0-U0-G2	4,658	128	B0-U0-G2	
	5QN		5,122	141	B2-U0-G0	5,272	145	B2-U0-G1	5,298	146	B2-U0-G0	
	5QM		5,221	144	B3-U0-G1	5,374	148	B3-U0-G1	5,400	149	B3-U0-G1	
	5Q		5,031	138	B3-U0-G1	5,178	143	B3-U0-G1	5,203	143	B3-U0-G1	
	5QW		4,887	134	B3-U0-G1	5,030	138	B3-U0-G1	5,054	139	B3-U0-G1	
	AM		5,023	138	B0-U0-G1	5,170	142	B0-U0-G1	5,195	143	B0-U0-G1	
	WF		5,184	143	B2-U0-G0	5,336	147	B2-U0-G0	5,362	148	B2-U0-G0	
	LC/RC		4,229	116	B1-U0-G2	4,353	120	B1-U0-G2	4,374	120	B1-U0-G2	
9L	2	80	7,280	135	B1-U0-G3	7,493	139	B1-U0-G3	7,529	139	B1-U0-G3	54
	3M		6,943	129	B1-U0-G2	7,146	132	B1-U0-G2	7,181	133	B1-U0-G2	
	3W		6,580	122	B1-U0-G3	6,772	125	B1-U0-G3	6,805	126	B1-U0-G3	
	4M		7,061	131	B1-U0-G3	7,267	135	B1-U0-G3	7,303	135	B1-U0-G3	
	4F		6,711	124	B1-U0-G3	6,908	128	B1-U0-G3	6,941	129	B1-U0-G3	
	4W		6,148	114	B1-U0-G3	6,328	117	B1-U0-G3	6,359	118	B1-U0-G3	
	FTM		6,770	125	B1-U0-G2	6,968	129	B1-U0-G2	7,002	130	B1-U0-G2	
	5QN		7,700	143	B2-U0-G1	7,925	147	B3-U0-G1	7,964	148	B2-U0-G1	
	5QM		7,848	145	B3-U0-G2	8,078	150	B3-U0-G2	8,117	150	B3-U0-G2	
	5Q		7,562	140	B3-U0-G2	7,784	144	B3-U0-G2	7,822	145	B3-U0-G2	
	5QW		7,346	136	B3-U0-G2	7,561	140	B3-U0-G2	7,598	141	B3-U0-G2	
	AM		7,550	140	B0-U0-G1	7,771	144	B0-U0-G1	7,809	145	B0-U0-G1	
	WF		7,792	144	B3-U0-G0	8,020	149	B3-U0-G0	8,060	149	B3-U0-G0	
	LC/RC		6,357	118	B1-U0-G3	6,543	121	B1-U0-G3	6,575	122	B1-U0-G3	
12L	2	80	9,906	134	B2-U0-G3	10,196	138	B2-U0-G3	10,245	139	B2-U0-G3	74
	3M		9,447	128	B1-U0-G3	9,723	132	B1-U0-G3	9,771	132	B1-U0-G3	
	3W		8,953	121	B2-U0-G3	9,215	125	B2-U0-G4	9,260	125	B2-U0-G3	
	4M		9,608	130	B1-U0-G3	9,889	134	B1-U0-G3	9,937	134	B1-U0-G3	
	4F		9,132	124	B1-U0-G4	9,399	127	B1-U0-G4	9,445	128	B1-U0-G4	
	4W		8,366	113	B1-U0-G3	8,611	117	B1-U0-G3	8,653	117	B1-U0-G3	
	FTM		9,212	125	B1-U0-G3	9,482	128	B1-U0-G3	9,528	129	B1-U0-G3	
	5QN		10,477	142	B3-U0-G1	10,784	146	B3-U0-G1	10,837	147	B3-U0-G1	
	5QM		10,680	145	B4-U0-G2	10,992	149	B4-U0-G2	11,046	149	B4-U0-G2	
	5Q		10,291	139	B4-U0-G2	10,592	143	B4-U0-G2	10,643	144	B4-U0-G2	
	5QW		9,996	135	B4-U0-G2	10,288	139	B4-U0-G2	10,338	140	B4-U0-G2	
	AM		10,274	139	B1-U0-G2	10,574	143	B1-U0-G2	10,626	144	B1-U0-G2	
	WF		10,603	144	B3-U0-G0	10,914	148	B3-U0-G0	10,967	148	B3-U0-G0	
	LC/RC		8,651	117	B2-U0-G3	8,904	121	B2-U0-G3	8,947	121	B2-U0-G3	





Date: 10/17/2024

Project:  
MARTIN STREET BUS  
TERMINAL

Description:  
VALS-15L-4M-UNV-50K7-BLK-SA-IS

Line Item#: 1  
Go to Bill of Materials

Type: A

Powered by 4submittal.com

# V-Locity Small (VALS) Outdoor LED Area Light

Type : \_\_\_\_\_

Have questions? Call us at (800) 436-7800

## PERFORMANCE

[Back to Quick Links](#)

Delivered Lumens (80 CRI)									
Lumen Package	Distribution	CRI	4000K CCT / 80 CRI			5000K CCT / 80 CRI			Wattage
			Delivered Lumens	Efficacy	BUG Rating	Delivered Lumens	Efficacy	BUG Rating	
6L	2	80	5,219	144	B1-U0-G2	5,330	147	B1-U0-G2	36
	3M		4,978	137	B1-U0-G2	5,083	140	B1-U0-G2	
	3W		4,717	130	B1-U0-G3	4,818	133	B1-U0-G3	
	4M		5,062	139	B0-U0-G2	5,170	142	B0-U0-G2	
	4F		4,812	132	B1-U0-G3	4,914	135	B1-U0-G3	
	4W		4,408	121	B1-U0-G2	4,502	124	B1-U0-G2	
	FTM		4,854	134	B0-U0-G2	4,957	136	B0-U0-G2	
	5QN		5,521	152	B2-U0-G1	5,638	155	B2-U0-G1	
	5QM		5,627	155	B3-U0-G1	5,747	158	B3-U0-G1	
	5Q		5,422	149	B3-U0-G1	5,537	152	B3-U0-G1	
	5QW		5,267	145	B3-U0-G1	5,379	148	B3-U0-G1	
	AM		5,413	149	B0-U0-G1	5,528	152	B0-U0-G1	
	WF		5,587	154	B2-U0-G0	5,706	157	B2-U0-G0	
	LC/RC		4,558	125	B1-U0-G2	4,655	128	B1-U0-G2	
9L	2	80	7,846	145	B1-U0-G3	8,012	148	B1-U0-G3	54
	3M		7,482	139	B1-U0-G3	7,641	142	B1-U0-G3	
	3W		7,091	131	B1-U0-G3	7,242	134	B1-U0-G3	
	4M		7,609	141	B1-U0-G3	7,771	144	B1-U0-G3	
	4F		7,233	134	B1-U0-G3	7,387	137	B1-U0-G3	
	4W		6,626	123	B1-U0-G3	6,767	125	B1-U0-G3	
	FTM		7,296	135	B1-U0-G2	7,451	138	B1-U0-G2	
	5QN		8,298	154	B3-U0-G1	8,475	157	B3-U0-G1	
	5QM		8,458	157	B3-U0-G2	8,638	160	B3-U0-G2	
	5Q		8,150	151	B3-U0-G2	8,324	154	B3-U0-G2	
	5QW		7,917	147	B3-U0-G2	8,085	150	B3-U0-G2	
	AM		8,137	151	B0-U0-G1	8,310	154	B0-U0-G1	
	WF		8,398	156	B3-U0-G0	8,577	159	B3-U0-G0	
	LC/RC		6,851	127	B1-U0-G3	6,997	130	B1-U0-G3	
12L	2	80	10,676	144	B2-U0-G3	10,903	148	B2-U0-G3	74
	3M		10,181	138	B1-U0-G3	10,398	141	B1-U0-G3	
	3W		9,649	131	B2-U0-G4	9,854	133	B2-U0-G4	
	4M		10,354	140	B1-U0-G3	10,574	143	B1-U0-G3	
	4F		9,842	133	B1-U0-G4	10,051	136	B1-U0-G4	
	4W		9,017	122	B1-U0-G3	9,208	125	B1-U0-G3	
	FTM		9,928	134	B1-U0-G3	10,139	137	B1-U0-G3	
	5QN		11,292	153	B3-U0-G1	11,532	156	B3-U0-G1	
	5QM		11,510	156	B4-U0-G2	11,754	159	B4-U0-G2	
	5Q		11,090	150	B4-U0-G2	11,326	153	B4-U0-G2	
	5QW		10,773	146	B4-U0-G2	11,002	149	B4-U0-G2	
	AM		11,072	150	B1-U0-G2	11,308	153	B1-U0-G2	
	WF		11,428	155	B3-U0-G0	11,671	158	B3-U0-G0	
	LC/RC		9,323	126	B2-U0-G3	9,521	129	B2-U0-G3	



Date: 10/17/2024

Project:  
MARTIN STREET BUS  
TERMINAL

Description:  
VALS-15L-4M-UNV-50K7-BLK-SA-IS

Line Item#: 1  
Go to Bill of Materials

Type: A

Powered by 4submittal.com

# V-Locity Small (VALS) Outdoor LED Area Light

Type : \_\_\_\_\_

Have questions? Call us at (800) 436-7800

## PERFORMANCE

[Back to Quick Links](#)

Delivered Lumens (80 CRI)												
Lumen Package	Distribution	CRI	2700K CCT / 80 CRI			3000K CCT / 80 CRI			3500K CCT / 80 CRI			Wattage
			Delivered Lumens	Efficacy	BUG Rating	Delivered Lumens	Efficacy	BUG Rating	Delivered Lumens	Efficacy	BUG Rating	
15L	2	80	12,004	132	B2-U0-G3	12,355	136	B2-U0-G3	12,415	137	B2-U0-G3	91
	3M		11,448	126	B1-U0-G3	11,783	130	B1-U0-G3	11,840	131	B1-U0-G3	
	3W		10,849	120	B2-U0-G4	11,167	123	B2-U0-G4	11,221	124	B2-U0-G4	
	4M		11,642	128	B1-U0-G3	11,983	132	B1-U0-G3	12,041	133	B1-U0-G3	
	4F		11,066	122	B1-U0-G4	11,390	126	B1-U0-G4	11,445	126	B1-U0-G4	
	4W		10,138	112	B1-U0-G3	10,435	115	B1-U0-G3	10,486	116	B1-U0-G3	
	FTM		11,163	123	B1-U0-G3	11,490	127	B1-U0-G3	11,546	127	B1-U0-G3	
	5QN		12,696	140	B3-U0-G1	13,068	144	B3-U0-G1	13,131	145	B3-U0-G1	
	5QM		12,941	143	B4-U0-G2	13,320	147	B4-U0-G2	13,385	148	B4-U0-G2	
	5Q		12,470	138	B4-U0-G2	12,835	142	B4-U0-G2	12,897	142	B4-U0-G2	
	5QW		12,113	134	B4-U0-G2	12,467	138	B4-U0-G2	12,528	138	B4-U0-G2	
	AM		12,449	137	B1-U0-G2	12,814	141	B1-U0-G2	12,876	142	B1-U0-G2	
	WF		12,849	142	B3-U0-G1	13,225	146	B3-U0-G1	13,289	147	B3-U0-G1	
	LC/RC		10,482	116	B2-U0-G3	10,789	119	B2-U0-G4	10,842	120	B2-U0-G3	
18L	2	80	14,526	131	B2-U0-G4	14,952	135	B2-U0-G4	15,024	135	B2-U0-G4	111
	3M		13,853	125	B1-U0-G3	14,259	129	B1-U0-G3	14,328	129	B1-U0-G3	
	3W		13,129	118	B2-U0-G4	13,514	122	B2-U0-G5	13,579	122	B2-U0-G4	
	4M		14,089	127	B1-U0-G3	14,501	131	B1-U0-G3	14,572	131	B1-U0-G3	
	4F		13,392	121	B1-U0-G5	13,784	124	B2-U0-G5	13,851	125	B1-U0-G5	
	4W		12,269	111	B1-U0-G4	12,628	114	B1-U0-G4	12,689	114	B1-U0-G4	
	FTM		13,509	122	B1-U0-G3	13,905	125	B1-U0-G3	13,972	126	B1-U0-G3	
	5QN		15,365	138	B3-U0-G2	15,814	143	B3-U0-G2	15,891	143	B3-U0-G2	
	5QM		15,661	141	B4-U0-G2	16,119	145	B4-U0-G2	16,198	146	B4-U0-G2	
	5Q		15,091	136	B4-U0-G2	15,532	140	B4-U0-G2	15,608	141	B4-U0-G2	
	5QW		14,658	132	B4-U0-G2	15,087	136	B4-U0-G2	15,161	137	B4-U0-G2	
	AM		15,066	136	B1-U0-G2	15,507	140	B1-U0-G2	15,582	140	B1-U0-G2	
	WF		15,549	140	B3-U0-G1	16,004	144	B3-U0-G1	16,082	145	B3-U0-G1	
	LC/RC		12,685	114	B2-U0-G4	13,057	118	B2-U0-G4	13,120	118	B2-U0-G4	
21L	2	80	16,649	128	B2-U0-G4	17,136	131	B2-U0-G4	17,219	132	B2-U0-G4	130
	3M		15,877	122	B2-U0-G3	16,342	125	B2-U0-G4	16,422	126	B2-U0-G3	
	3W		15,047	115	B2-U0-G5	15,488	119	B2-U0-G5	15,563	119	B2-U0-G5	
	4M		16,147	124	B1-U0-G4	16,620	128	B1-U0-G4	16,701	128	B1-U0-G4	
	4F		15,348	118	B2-U0-G5	15,797	121	B2-U0-G5	15,874	122	B2-U0-G5	
	4W		14,061	108	B2-U0-G4	14,473	111	B2-U0-G4	14,543	112	B2-U0-G4	
	FTM		15,483	119	B1-U0-G3	15,936	122	B1-U0-G3	16,014	123	B1-U0-G3	
	5QN		17,609	135	B3-U0-G2	18,125	139	B3-U0-G2	18,213	140	B3-U0-G2	
	5QM		17,949	138	B4-U0-G2	18,474	142	B4-U0-G2	18,564	142	B4-U0-G2	
	5Q		17,295	133	B4-U0-G2	17,801	137	B4-U0-G2	17,888	137	B4-U0-G2	
	5QW		16,800	129	B5-U0-G3	17,291	133	B5-U0-G3	17,376	133	B5-U0-G3	
	AM		17,267	133	B1-U0-G2	17,772	136	B1-U0-G2	17,859	137	B1-U0-G2	
	WF		17,821	137	B4-U0-G1	18,343	141	B4-U0-G1	18,432	141	B4-U0-G1	
	LC/RC		14,539	112	B2-U0-G4	14,964	115	B2-U0-G4	15,037	115	B2-U0-G4	



Date: 10/17/2024

Project:  
MARTIN STREET BUS  
TERMINAL

Description:  
VALS-15L-4M-UNV-50K7-BLK-SA-IS

Line Item#: 1  
Go to Bill of Materials

Type: A

Powered by 4submittal.com

# V-Locity Small (VALS) Outdoor LED Area Light

Type : \_\_\_\_\_

Have questions? Call us at (800) 436-7800

## PERFORMANCE

[Back to Quick Links](#)

Delivered Lumens (80 CRI)									
Lumen Package	Distribution	CRI	4000K CCT / 80 CRI			5000K CCT / 80 CRI			Wattage
			Delivered Lumens	Efficacy	BUG Rating	Delivered Lumens	Efficacy	BUG Rating	
15L	2	80	12,937	143	B2-U0-G4	13,212	146	B2-U0-G4	91
	3M		12,337	136	B1-U0-G3	12,600	139	B1-U0-G3	
	3W		11,692	129	B2-U0-G4	11,941	132	B2-U0-G4	
	4M		12,547	138	B1-U0-G3	12,814	141	B1-U0-G3	
	4F		11,926	132	B1-U0-G4	12,180	134	B1-U0-G4	
	4W		10,926	121	B1-U0-G4	11,158	123	B1-U0-G4	
	FTM		12,031	133	B1-U0-G3	12,287	136	B1-U0-G3	
	5QN		13,683	151	B3-U0-G1	13,974	154	B3-U0-G1	
	5QM		13,947	154	B4-U0-G2	14,244	157	B4-U0-G2	
	5Q		13,439	148	B4-U0-G2	13,725	151	B4-U0-G2	
	5QW		13,054	144	B4-U0-G2	13,332	147	B4-U0-G2	
	AM		13,417	148	B1-U0-G2	13,702	151	B1-U0-G2	
	WF		13,848	153	B3-U0-G1	14,142	156	B3-U0-G1	
	LC/RC		11,297	125	B2-U0-G4	11,537	127	B2-U0-G4	
18L	2	80	15,656	141	B2-U0-G4	15,988	144	B2-U0-G4	111
	3M		14,930	135	B1-U0-G3	15,248	137	B1-U0-G3	
	3W		14,150	128	B2-U0-G5	14,451	130	B2-U0-G5	
	4M		15,184	137	B1-U0-G4	15,507	140	B1-U0-G4	
	4F		14,433	130	B2-U0-G5	14,740	133	B2-U0-G5	
	4W		13,222	119	B1-U0-G4	13,503	122	B1-U0-G4	
	FTM		14,559	131	B1-U0-G3	14,869	134	B1-U0-G3	
	5QN		16,559	149	B3-U0-G2	16,911	152	B3-U0-G2	
	5QM		16,878	152	B4-U0-G2	17,237	155	B4-U0-G2	
	5Q		16,264	147	B4-U0-G2	16,609	150	B4-U0-G2	
	5QW		15,798	142	B4-U0-G3	16,133	145	B4-U0-G3	
	AM		16,237	146	B1-U0-G2	16,582	149	B1-U0-G2	
	WF		16,758	151	B4-U0-G1	17,114	154	B4-U0-G1	
	LC/RC		13,672	123	B2-U0-G4	13,962	126	B2-U0-G4	
21L	2	80	17,943	138	B3-U0-G4	18,324	141	B3-U0-G4	130
	3M		17,112	131	B2-U0-G4	17,475	134	B2-U0-G4	
	3W		16,217	124	B2-U0-G5	16,562	127	B2-U0-G5	
	4M		17,402	134	B1-U0-G4	17,772	136	B1-U0-G4	
	4F		16,541	127	B2-U0-G5	16,893	130	B2-U0-G5	
	4W		15,154	116	B2-U0-G4	15,476	119	B2-U0-G4	
	FTM		16,686	128	B1-U0-G3	17,041	131	B1-U0-G3	
	5QN		18,978	146	B3-U0-G2	19,381	149	B3-U0-G2	
	5QM		19,344	148	B4-U0-G2	19,755	152	B4-U0-G2	
	5Q		18,639	143	B4-U0-G2	19,036	146	B4-U0-G2	
	5QW		18,106	139	B5-U0-G3	18,490	142	B5-U0-G3	
	AM		18,609	143	B1-U0-G2	19,005	146	B1-U0-G2	
	WF		19,206	147	B4-U0-G1	19,615	151	B4-U0-G1	
	LC/RC		15,669	120	B2-U0-G4	16,002	123	B2-U0-G4	



Date: 10/17/2024

Project:  
MARTIN STREET BUS  
TERMINAL

Description:  
VALS-15L-4M-UNV-50K7-BLK-SA-IS

Line Item#: 1  
Go to Bill of Materials

Type: A

Powered by 4submittal.com

## V-Locity Small (VALS) Outdoor LED Area Light

Type : \_\_\_\_\_

Have questions? Call us at (800) 436-7800

### PERFORMANCE

[Back to Quick Links](#)

Delivered Lumens (80 CRI)												
Lumen Package	Distribution	CRI	2700K CCT / 80 CRI			3000K CCT / 80 CRI			3500K CCT / 80 CRI			Wattage
			Delivered Lumens	Efficacy	BUG Rating	Delivered Lumens	Efficacy	BUG Rating	Delivered Lumens	Efficacy	BUG Rating	
24L	2	80	19,223	124	B3-U0-G5	19,785	127	B3-U0-G5	19,882	128	B3-U0-G5	155
	3M		18,332	118	B2-U0-G4	18,869	122	B2-U0-G4	18,961	122	B2-U0-G4	
	3W		17,374	112	B3-U0-G5	17,882	115	B3-U0-G5	17,970	116	B3-U0-G5	
	4M		18,644	120	B1-U0-G4	19,189	124	B1-U0-G4	19,283	124	B1-U0-G4	
	4F		17,721	114	B2-U0-G5	18,240	117	B2-U0-G5	18,329	118	B2-U0-G5	
	4W		16,235	105	B2-U0-G5	16,710	108	B2-U0-G5	16,792	108	B2-U0-G5	
	FTM		17,877	115	B1-U0-G3	18,400	119	B1-U0-G3	18,489	119	B1-U0-G3	
	5QN		20,332	131	B4-U0-G2	20,927	135	B4-U0-G2	21,029	135	B4-U0-G2	
	5QM		20,724	133	B4-U0-G2	21,331	137	B5-U0-G3	21,435	138	B5-U0-G3	
	5Q		19,969	129	B5-U0-G3	20,554	132	B5-U0-G3	20,654	133	B5-U0-G3	
	5QW		19,397	125	B5-U0-G3	19,965	129	B5-U0-G3	20,062	129	B5-U0-G3	
	AM		19,936	128	B1-U0-G2	20,520	132	B1-U0-G2	20,620	133	B1-U0-G2	
	WF		20,576	133	B4-U0-G1	21,178	136	B4-U0-G1	21,282	137	B4-U0-G1	
LC/RC	16,787	108	B2-U0-G5	17,278	111	B3-U0-G5	17,362	112	B3-U0-G5			
27L	2	80	21,455	121	B3-U0-G5	22,083	124	B3-U0-G5	22,191	125	B3-U0-G5	178
	3M		20,461	116	B2-U0-G4	21,060	119	B2-U0-G4	21,163	120	B2-U0-G4	
	3W		19,392	110	B3-U0-G5	19,959	113	B3-U0-G5	20,057	113	B3-U0-G5	
	4M		20,809	117	B1-U0-G4	21,418	121	B1-U0-G4	21,522	121	B1-U0-G4	
	4F		19,779	111	B2-U0-G5	20,358	115	B2-U0-G5	20,458	115	B2-U0-G5	
	4W		18,121	103	B2-U0-G5	18,651	106	B2-U0-G5	18,742	106	B2-U0-G5	
	FTM		19,953	113	B1-U0-G4	20,537	116	B1-U0-G4	20,637	117	B1-U0-G4	
	5QN		22,693	128	B4-U0-G2	23,357	132	B4-U0-G2	23,471	133	B4-U0-G2	
	5QM		23,131	130	B5-U0-G3	23,808	134	B5-U0-G3	23,924	135	B5-U0-G3	
	5Q		22,288	126	B5-U0-G3	22,941	130	B5-U0-G3	23,053	130	B5-U0-G3	
	5QW		21,650	122	B5-U0-G3	22,284	126	B5-U0-G3	22,392	127	B5-U0-G3	
	AM		22,252	126	B1-U0-G2	22,903	130	B1-U0-G2	23,015	130	B1-U0-G2	
	WF		22,966	129	B4-U0-G1	23,638	133	B4-U0-G1	23,753	134	B4-U0-G1	
LC/RC	18,736	106	B3-U0-G5	19,285	109	B3-U0-G5	19,379	110	B3-U0-G5			



Date: 10/17/2024

Project:  
MARTIN STREET BUS  
TERMINAL

Description:  
VALS-15L-4M-UNV-50K7-BLK-SA-IS

Line Item#: 1  
Go to Bill of Materials

Type: A

Powered by 4submittal.com

## V-Locity Small (VALS) Outdoor LED Area Light

Type : \_\_\_\_\_

Have questions? Call us at (800) 436-7800

### PERFORMANCE

[Back to Quick Links](#)

Delivered Lumens (80 CRI)									
Lumen Package	Distribution	CRI	4000K CCT / 80 CRI			5000K CCT / 80 CRI			Wattage
			Delivered Lumens	Efficacy	BUG Rating	Delivered Lumens	Efficacy	BUG Rating	
24L	2	80	20,717	133	B3-U0-G5	21,157	136	B3-U0-G5	155
	3M		19,757	127	B2-U0-G4	20,177	130	B2-U0-G4	
	3W		18,724	121	B3-U0-G5	19,122	123	B3-U0-G5	
	4M		20,093	129	B1-U0-G4	20,520	132	B1-U0-G4	
	4F		19,099	123	B2-U0-G5	19,505	126	B2-U0-G5	
	4W		17,497	113	B2-U0-G5	17,869	115	B2-U0-G5	
	FTM		19,266	124	B1-U0-G3	19,676	127	B1-U0-G3	
	50N		21,912	141	B4-U0-G2	22,378	144	B4-U0-G2	
	50M		22,335	144	B5-U0-G3	22,810	147	B5-U0-G3	
	5Q		21,521	139	B5-U0-G3	21,979	142	B5-U0-G3	
	50W		20,905	135	B5-U0-G3	21,349	138	B5-U0-G3	
	AM		21,486	138	B1-U0-G2	21,943	141	B1-U0-G2	
	WF		22,176	143	B4-U0-G1	22,647	146	B4-U0-G1	
LC/RC	18,091	117	B3-U0-G5	18,476	119	B3-U0-G5			
27L	2	80	23,123	130	B3-U0-G5	23,615	133	B3-U0-G5	178
	3M		22,052	125	B2-U0-G4	22,521	127	B2-U0-G4	
	3W		20,899	118	B3-U0-G5	21,343	121	B3-U0-G5	
	4M		22,427	126	B1-U0-G5	22,903	129	B1-U0-G5	
	4F		21,317	120	B2-U0-G5	21,770	123	B2-U0-G5	
	4W		19,529	111	B2-U0-G5	19,944	113	B2-U0-G5	
	FTM		21,504	122	B1-U0-G4	21,961	124	B1-U0-G4	
	50N		24,457	138	B4-U0-G2	24,977	141	B4-U0-G2	
	50M		24,929	140	B5-U0-G3	25,459	143	B5-U0-G3	
	5Q		24,021	136	B5-U0-G3	24,532	138	B5-U0-G3	
	50W		23,333	132	B5-U0-G3	23,829	135	B5-U0-G3	
	AM		23,982	136	B1-U0-G2	24,491	138	B1-U0-G2	
	WF		24,751	139	B4-U0-G1	25,277	142	B4-U0-G1	
LC/RC	20,193	115	B3-U0-G5	20,622	117	B3-U0-G5			

Electrical Data (Amps) <sup>1</sup>							
Lumen Package	120V	208V	240V	277V	347V	480V	Wattage
6L	0.30	0.17	0.15	0.13	0.10	0.08	36
9L	0.45	0.26	0.23	0.19	0.16	0.11	54
12L	0.62	0.36	0.31	0.27	0.21	0.15	74
15L	0.76	0.44	0.38	0.33	0.26	0.19	91
18L	0.93	0.53	0.46	0.40	0.32	0.23	111
21L	1.08	0.63	0.54	0.47	0.37	0.27	130
24L	1.29	0.75	0.65	0.56	0.45	0.32	155
27L	1.46	0.84	0.73	0.63	0.50	0.36	175

Recommended Lumen Maintenance					
Ambient Temp	Lumen Multiplier				
	0 hrs. <sup>2</sup>	25K hrs. <sup>2</sup>	50K hrs. <sup>2</sup>	75K hrs. <sup>3</sup>	100K hrs. <sup>3</sup>
50 C	100%	94%	88%	83%	78%

1 Lumen maintenance values at 40C are calculated per TM-21 based on LM-80 data and in-situ testing.  
 2 In accordance with IESNA TM-21-11, Projected Values represent interpolated value based on time durations that are within six times the IESNA LM-80-08 total test duration for the device under testing.  
 3 In accordance with IESNA TM-21-11, Calculated Values represent time durations that exceed six times the IESNA LM-80-08 total test duration for the device under testing.

## V-Locity Small (VALS) Outdoor LED Area Light

Type: \_\_\_\_\_

Have questions? Call us at (800) 436-7800

### PHOTOMETRICS

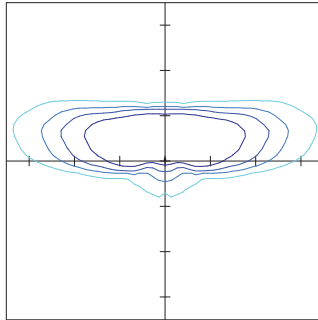
[Back to Quick Links](#)

Luminaire photometry has been conducted by a NVLAP accredited testing laboratory in accordance with IESNA LM-79-08. As specified by IESNA LM-79-08 the entire luminaire is tested as the source resulting in a luminaire efficiency of 100%.

See the individual product page on <https://www.lsicorp.com/> for detailed photometric data.

#### VALS 18L 2 40K8

V-LOCITY Area Small, 18,000lm, Type 2 Distribution

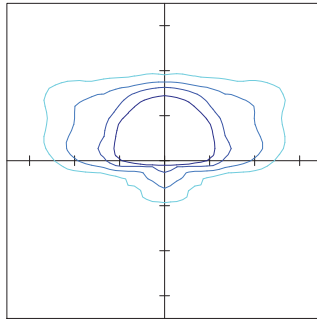


20' Mounting Height / 30' Grid Spacing  
■ 2 FC ■ 1 FC ■ 0.5 FC ■ 0.2 FC

Shielding	No Shield	W/Shield
IES Type	III Medium	III Medium
BUG Rating	B2-U0-G4	B1-U0-G3
Street Side Lumen %	87.3%	96.1%
House Side Lumen %	12.7%	3.9%
Uplight %	0.0%	0.0%

#### VALS 18L 3M 40K8

V-LOCITY Area Small, 18,000lm, Type 3 Medium Distribution

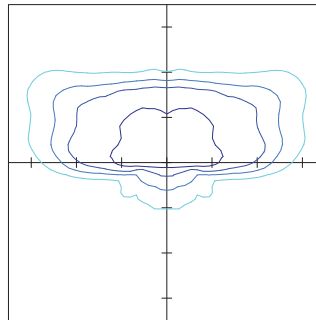


20' Mounting Height / 30' Grid Spacing  
■ 2 FC ■ 1 FC ■ 0.5 FC ■ 0.2 FC

Shielding	No Shield	W/Shield
IES Type	III Very Short	III Very Short
BUG Rating	B1-U0-G3	B1-U0-G3
Street Side Lumen %	93.4%	97.2%
House Side Lumen %	8.6%	2.8%
Uplight %	0.0%	0.0%

#### VALS 18L 3W 40K8

V-LOCITY Area Small, 18,000lm, Type 3 Wide Distribution

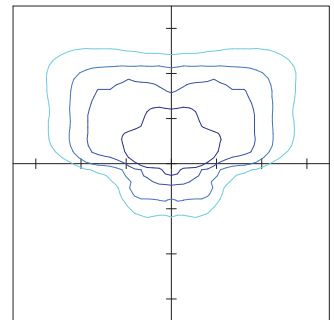


20' Mounting Height / 30' Grid Spacing  
■ 2 FC ■ 1 FC ■ 0.5 FC ■ 0.2 FC

Shielding	No Shield	W/Shield
IES Type	IV Medium	IV Medium
BUG Rating	B2-U0-G5	B1-U0-G4
Street Side Lumen %	86.9%	94.0%
House Side Lumen %	13.1%	6.0%
Uplight %	0.0%	0.0%

#### VALS 18L 4W 40K8

V-LOCITY Area Small, 18,000lm, Type 4 Wide Distribution

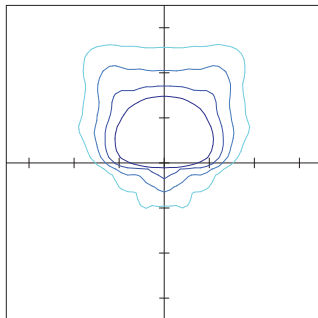


20' Mounting Height / 30' Grid Spacing  
■ 2 FC ■ 1 FC ■ 0.5 FC ■ 0.2 FC

Shielding	No Shield	W/Shield
IES Type	IV Medium	IV Medium
BUG Rating	B1-U0-G4	B0-U0-G3
Street Side Lumen %	89.9%	94.0%
House Side Lumen %	10.1%	3.5%
Uplight %	0.0%	0.0%

#### VALS 18L 4M 40K8

V-LOCITY Area Small, 18,000lm, Type 4 Medium Distribution

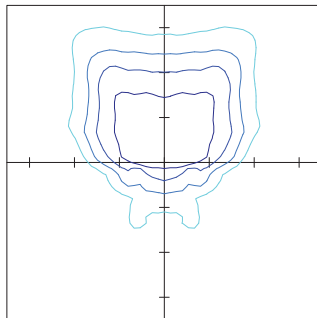


20' Mounting Height / 30' Grid Spacing  
■ 2 FC ■ 1 FC ■ 0.5 FC ■ 0.2 FC

Shielding	No Shield	W/Shield
IES Type	IV Very Short	III Very Short
BUG Rating	B1-U0-G4	B0-U0-G2
Street Side Lumen %	92.9%	99.0%
House Side Lumen %	7.1%	1.0%
Uplight %	0.0%	0.0%

#### VALS 18L 4F 40K8

V-LOCITY Area Small, 18,000lm, Type 4 Forward Distribution

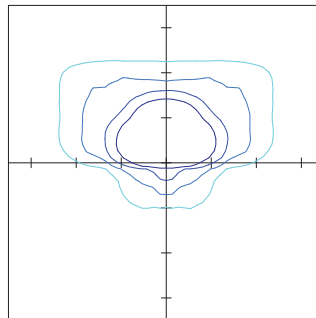


20' Mounting Height / 30' Grid Spacing  
■ 2 FC ■ 1 FC ■ 0.5 FC ■ 0.2 FC

Shielding	No Shield	W/Shield
IES Type	IV Short	IV Short
BUG Rating	B2-U0-G5	B0-U0-G3
Street Side Lumen %	89.7%	98.3%
House Side Lumen %	10.3%	1.7%
Uplight %	0.0%	0.0%

#### VALS 18L FTM 40K8

V-LOCITY Area Small, 18,000lm, Forward Throw Medium Distribution

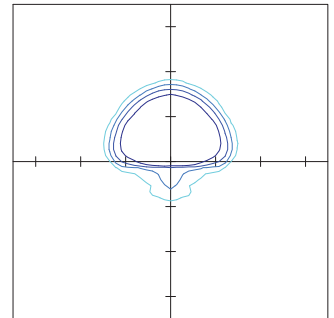


20' Mounting Height / 30' Grid Spacing  
■ 2 FC ■ 1 FC ■ 0.5 FC ■ 0.2 FC

Shielding	No Shield	W/Shield
IES Type	III Very Short	III Very Short
BUG Rating	B1-U0-G3	B0-U0-G3
Street Side Lumen %	93.0%	98.4%
House Side Lumen %	7.0%	1.6%
Uplight %	0.0%	0.0%

#### VALS 18L AM 40K8

V-LOCITY Area Small, 18,000lm, Automotive Merchandise Distribution



20' Mounting Height / 30' Grid Spacing  
■ 2 FC ■ 1 FC ■ 0.5 FC ■ 0.2 FC

Shielding	No Shield	W/Shield
IES Type	III Very Short	III Very Short
BUG Rating	B1-U0-G2	B0-U0-G2
Street Side Lumen %	95.3%	99.3%
House Side Lumen %	4.7%	0.7%
Uplight %	0.0%	0.0%

## V-Locity Small (VALS) Outdoor LED Area Light

Type : \_\_\_\_\_

Have questions? Call us at (800) 436-7800

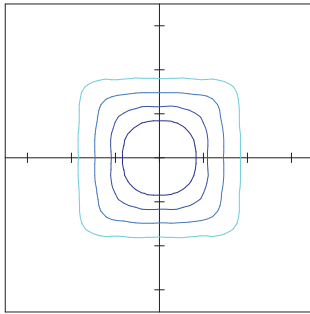
### PHOTOMETRICS (CONTINUED)

Luminaire photometry has been conducted by a NVLAP accredited testing laboratory in accordance with IESNA LM-79-08. As specified by IESNA LM-79-08 the entire luminaire is tested as the source resulting in a luminaire efficiency of 100%.

See the individual product page on <https://www.lsicorp.com/> for detailed photometric data.

#### VALS 18L 5QN 40K8

V-LOCITY Area Small, 18,000lm, Type 5  
Square Narrow Distribution

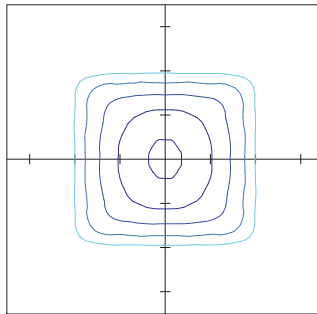


20' Mounting Height / 30' Grid Spacing  
 2 FC
  1 FC
  0.5 FC
  0.2 FC

IES Type	VS Very Short
BUG Rating	B3-U0-G2
0 - 60° Zonal Lumens	73.8%
60 - 90° Zonal Lumens	26.2%
Uplight %	0.0%

#### VALS 18L 5QM 40K8

V-LOCITY Area Small, 18,000lm, Type 5  
Square Medium Distribution

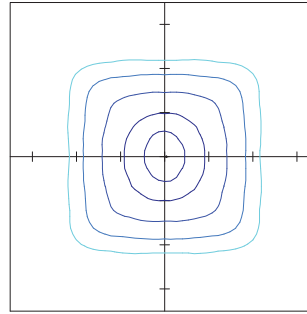


20' Mounting Height / 30' Grid Spacing  
 2 FC
  1 FC
  0.5 FC
  0.2 FC

IES Type	VS Short
BUG Rating	B4-U0-G2
0 - 60° Zonal Lumens	51.0%
60 - 90° Zonal Lumens	49.0%
Uplight %	0.0%

#### VALS 18L 5Q 40K8

V-LOCITY Area Small, 18,000lm, Type 5  
Square Distribution

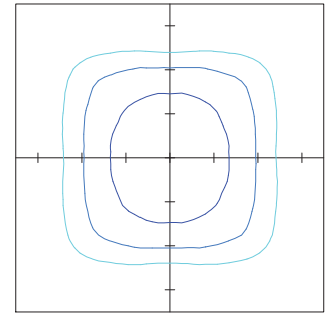


20' Mounting Height / 30' Grid Spacing  
 2 FC
  1 FC
  0.5 FC
  0.2 FC

IES Type	VS Medium
BUG Rating	B5-U0-G3
0 - 60° Zonal Lumens	41.8%
60 - 90° Zonal Lumens	58.2%
Uplight %	0.0%

#### VALS 18L 5QW 40K8

V-LOCITY Area Small, 18,000lm, Type 5  
Square Wide Distribution

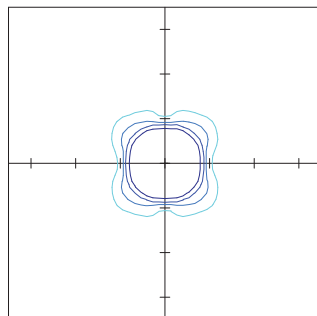


20' Mounting Height / 30' Grid Spacing  
 2 FC
  1 FC
  0.5 FC
  0.2 FC

IES Type	VS Medium
BUG Rating	B5-U0-G3
0 - 60° Zonal Lumens	33.7%
60 - 90° Zonal Lumens	66.3%
Uplight %	0.0%

#### VALS 18L WF 40K8

V-LOCITY Area Small, 18,000lm, Wide Flood  
Distribution

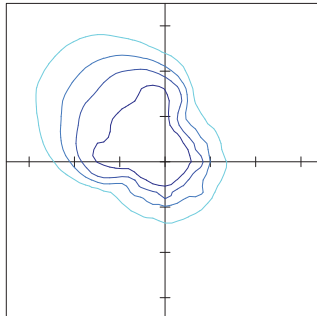


20' Mounting Height / 30' Grid Spacing  
 2 FC
  1 FC
  0.5 FC
  0.2 FC

NEMA Type	6x6
Max Candela	9,352
Max Candela Angle	-19.5H x -29V
Beam Angle	80.7 x 90.0°
Field Angle	109.9 x 117.7°

#### VALS 18L LC 40K8

V-LOCITY Area Small, 18,000lm, Left Corner  
Distribution

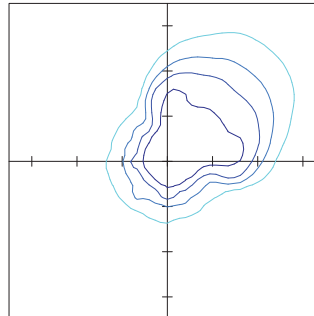


20' Mounting Height / 30' Grid Spacing  
 2 FC
  1 FC
  0.5 FC
  0.2 FC

Shielding	No Shield	W/Shield
IES Type	N/A	N/A
BUG Rating	B2-U0-G4	B1-U0-G3
Street Side Lumen %	75.9%	91.9%
House Side Lumen %	24.1%	8.1%
Uplight %	0.0%	0.0%

#### VALS 18L RC 40K8

V-LOCITY Area Small, 18,000lm, Right Corner  
Distribution



20' Mounting Height / 30' Grid Spacing  
 2 FC
  1 FC
  0.5 FC
  0.2 FC

Shielding	No Shield	W/Shield
IES Type	N/A	N/A
BUG Rating	B2-U0-G4	B1-U0-G3
Street Side Lumen %	75.9%	91.9%
House Side Lumen %	24.1%	8.1%
Uplight %	0.0%	0.0%



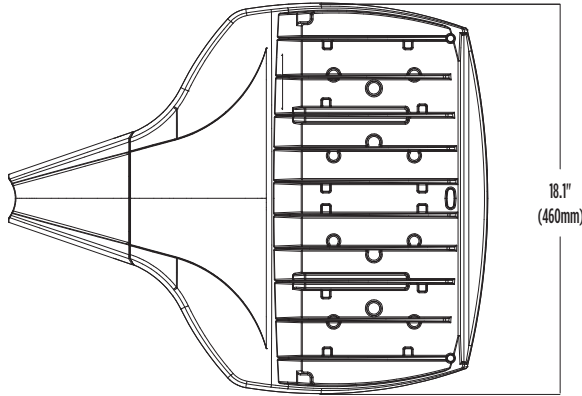
## V-Locity Small (VALS) Outdoor LED Area Light

Type : \_\_\_\_\_

Have questions? Call us at (800) 436-7800

### PRODUCT DIMENSIONS

[Back to Quick Links](#)



Luminaire EPA Chart - SA Side Arm

Tilt Degree	0°
Single	0.7
D180°	1.3
D90°	1.0
T90°	1.4
TN120°	1.5
Q90°	1.4

Luminaire EPA Chart - UA Universal Adjustable Arm

Tilt Degree	0°	15°	30°	45°	60°
Single	0.8	0.8	1.3	1.8	2.1
D180°	1.5	1.9	2.5	3.2	3.8
D90°	1.5	1.9	2.5	3.2	3.8
T90°	1.8	2.1	2.7	3.2	3.8
TN120°	1.8	2.3	3.4	4.3	5.0
Q90°	1.8	2.1	2.7	3.2	3.8

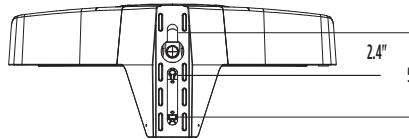
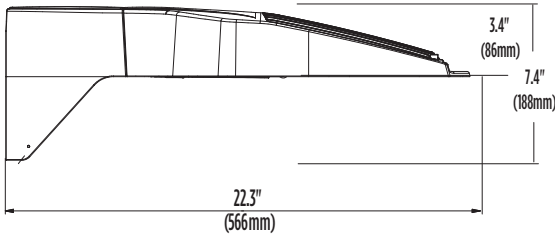
Luminaire EPA Chart - MA Mast Arm

Tilt Degree	0°
Single	0.5

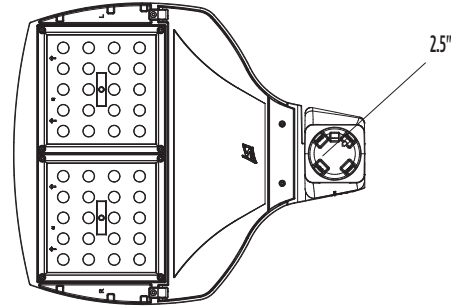
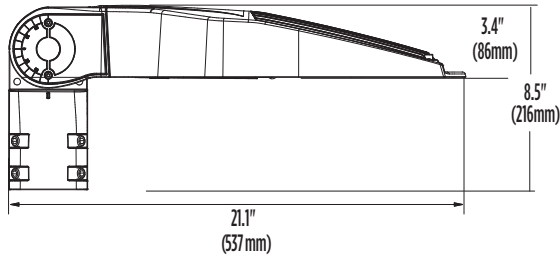
Luminaire EPA Chart - SF Adjustable Slip Fitter

Tilt Degree	0°	15°	30°	45°	60°
Single	0.7	1.3	1.4	1.8	2.2

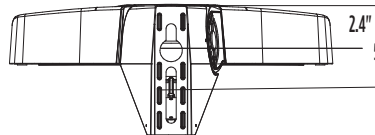
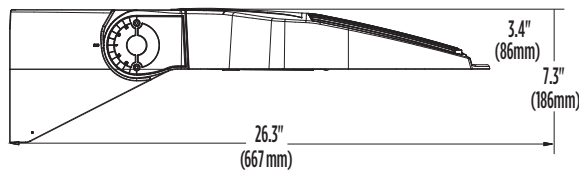
SA Universal Side Arm Mount



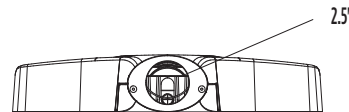
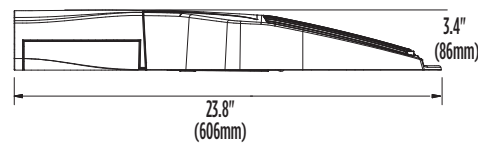
SF Adjustable Slipfitter



UA Universal Adjustable Arm



MA Mast Arm



## V-Locity Small (VALS) Outdoor LED Area Light

Type : \_\_\_\_\_

**Have questions?** Call us at (800) 436-7800

### CONTROLS

[Back to Quick Links](#)

#### Integral Bluetooth™ Motion and Photocell Sensor (IMSBTxL)

Slim low profile sensor provides multi-level control based on motion and/or daylight. Sensor controls 0-10 VDC LED drivers and is IP66 rated for cold and wet locations (-40°F to 167°F). Two unique PIR lenses are available and used based on fixture mounting height. All control parameters are adjustable via an iOS or Android App capable of storing and transmitting sensor profiles.

Click here to learn more details about IMSBT



LEVITON App



Apple



Android

#### AirLink Blue (ALBMRxLR, ALBCSx)

Wireless Bluetooth Mesh Outdoor Lighting Control System that provides energy savings, code compliance and enhanced safety/security for parking lots and parking garages. Three key components; Bluetooth wireless radio/sensor controller, Time Keeper and an iOS App. Capable of grouping multiple fixtures and sensors as well as scheduling time-based events by zone. Radio/Sensor Controller is factory integrated into Area/ Site, Wall Mounted, Parking Garage and Canopy luminaires.

Click here to learn more details about AirLink Blue



AirLink Blue App



Apple

#### Sensor Sequence of Operations

Standard Programming	On Event	Off Event	On Light Level	Dim Light Level	Daylight Harvesting	Delay To Off	Sensitivity
OMSBTxL/IMSBTxL	Motion	No Motion	100%	N/A	On; Auto Calibration	20 minutes	High
OMS	Motion	No Motion	N/A	N/A	N/A	30 seconds	Auto

Operation	Description
On Event	Trigger that activates lights to turn on; either automatic via motion detected or manually activated via push of button.
Off Event	Trigger that activates lights to turn off; either automatic via no motion detected or manually activated via push of button.
On Light Level	The light level that the fixtures will turn on to when ON EVENT occurs.
Dim Light Level	The light level that the fixtures will dim down to when no motion is detected.
Delay to Dim	The amount of time after which no motion is detected that the fixtures will be triggered to dim down. This sequence is optional, and sensor can be programmed to only trigger the fixture to turn off by entering 100% in this field.
Delay to Off	The amount of time after which no motion is detected that the fixtures will be triggered to turn off. If delay to dim is part of the programmed functionality, this is the amount of time after which no motion is detected after the fixture have already dimmed down.
Sensitivity	The sensitivity can be set to high, medium, low, or auto where applicable. High will detect smaller, simple motions. Low will only detect larger more complex motions. Auto temperature calibration adjusts the PIR sensitivity as ambient temperature rises to increase detection of heat movement through the field of view.



Catalog #: \_\_\_\_\_ Project: \_\_\_\_\_ Type: \_\_\_\_\_  
Prepared By: \_\_\_\_\_ Date: \_\_\_\_\_

## Steel Poles

### Square Straight



#### QUICK LINKS

[Ordering Guide](#)

[Configurations](#)

[Dimensions](#)

[EPA](#)

#### FEATURES & SPECIFICATIONS

##### Pole Shaft

- Straight poles are 4", 5", or 6" square.
- Pole shaft is electro-welded ASTM-A500 Grade C steel tubing with a minimum yield strength of 50,000 psi.
- On Tenon Mount steel poles, tenon is 2-3/8" O.D. high-strength pipe. Tenon is 4-3/4" in length.

##### Hand-Hole

- Standard hand-hole location is 12" above pole base.
- Poles 22' and above have a 3x6 reinforced hand hole.

##### Base

- Pole base is ASTM-A36 hot-rolled steel plate with a minimum yield strength of 36,000 psi.
- Two-piece square base cover is optional.

##### Anchor Bolts

- Poles are furnished with anchor bolts featuring zinc-plated double nuts and washers. Galvanized anchor bolts are optional.
- Anchor Bolts conform to ASTM F 1554-07a Grade 55 with a minimum yield strength of 55,000 PSI.

##### Ground Lug

- Ground lug is standard.

##### Duplex Receptacle

- Weatherproof duplex receptacle is optional.

##### Ground Fault Circuit Interrupter

- Self-testing Ground fault circuit interrupter is optional.

##### Finishes

- Every pole is provided with the DuraGrip Protection System and a 5-year limited warranty:
- When the top-of-the line DuraGrip Plus Protection System is selected, in addition to the DuraGrip Protection System, a non-porous, automotive-grade corrosion coating is applied to the lower portion of the pole interior sealing and further protecting it from corrosion. This option extends the limited warranty to 7 years.

##### Determining The Luminaire/Pole Combination For Your Application:

- Select luminaire from luminaire ordering information.
- Select bracket configuration if required
- Determine EPA value from luminaire/bracket EPA chart

- Select Pole Height

- Select MPH to match wind speed in the application area (See windspeed maps).
- Confirm pole EPA equal to or exceeding value of luminaire/bracket EPA
- Consult factory for special wind load requirements and banner brackets.

##### Pole Vibration Damper

- A pole vibration damper is recommended in open terrain areas of the country where low steady state winds are common.
- Non-tapered poles and lightly loaded poles are more susceptible to destructive vibration if a damper is not installed.

##### Listings

- UL Listed
- BAA/TAA Compliant

## Steel Poles Square Straight

Type : \_\_\_\_\_

Have questions? Call us at (800) 436-7800

### ORDERING GUIDE

[Back to Quick Links](#)

TYPICAL ORDER EXAMPLE: 4SQ B3 S11G 24 S PLP DGP						
Pole Series	Mounting Method	Material	Height <sup>2</sup>	Mounting Configuration	Pole Finish	Options
<b>4SQ</b> - 4" x 4" Square Straight Pole (New Build) <b>5SQ</b> - 5" x 5" Square Straight Pole (New Build) <b>6SQ</b> - 6" x 6" Square Straight Pole (New Build) <b>4SQU</b> - 4" x 4" Square Straight Pole (Retrofit) <b>5SQU</b> - 5" x 5" Square Straight Pole (Retrofit) <b>6SQU</b> - 6" x 6" Square Straight Pole (Retrofit)	<b>Bolt-On Mount<sup>1</sup></b> - See pole selection guide for patterns and fixture matches <b>B5</b> - 5" Traditional Drilling Pattern <b>B3</b> - 3" Reduced Pattern <b>B2</b> - 2" Low Profile Drilling Pattern <b>B2R</b> - Raised 2" Reduce Drilling Pattern ( <b>LAL4 ONLY</b> )  <b>T</b> - Tenon Mount - See pole selection guide for tenon and fixture/bracket matches  <b>I</b> - No Mounting Holes <sup>1</sup>	<b>S11G</b> - 11 Ga. Steel (4SQ/4SQU and 5SQ/5SQU Only) <b>S07G</b> - 07 Ga. Steel	8' 10' 12' 13' 14' 15' 16' 17' 17'6" 18' <b>20'</b> 22' 22'6" 23' 24' 25' 26' 27' 28' 30' 32' 35' 39'	<b>S</b> - Single/Parallel <b>D180</b> - Double <b>D90</b> - Double <b>DN90</b> - Double <b>T90</b> - Triple <b>TN120</b> - Triple <b>Q90</b> - Quad <b>QN90</b> - Quad  <b>N</b> - Tenon Mount (Standard Tenon size is 2-3/8" O.D.) <sup>8</sup> <b>(Blank)</b> - Use with I for Mounting Method	<b>BRZ</b> - Bronze <b>BLK</b> - Black <b>PLP</b> - Platinum Plus <b>WHT</b> - White <b>SVG</b> - Satin Verde Green <b>GPT</b> - Graphite <b>MSV</b> - Metallic Silver <b>BZA</b> - Alternate Bronze <b>GMG</b> - Gun Metal Gray	<b>GA</b> - Galvanized Anchor Bolts <b>SF</b> - Single Flood <sup>3</sup> <b>DF</b> - Double Flood <sup>3</sup> <b>DGP</b> - DuraGrip <sup>3</sup> Plus <b>LAB</b> - Less Anchor Bolts <b>CRXX</b> - Conduit Raceway <sup>4</sup>



Need more information?  
[Click here for our glossary.](#)

Have additional questions?  
Call us at (800) 436-7800



### ACCESSORY ORDERING INFORMATION

Part Number	Description
122559CLR	4BC - 4" Square Base Cover
122561CLR	5BC - 5" Square Base Cover
122563CLR	6BC - 6" Square Base Cover
132488CLR	5BC - 5" Square Universal Base Cover
131252CLR	6BC - 6" Square Universal Base Cover
122566CLR	ER2 - Weatherproof Duplex Receptacle
122567CLR	GFI - Ground Fault Circuit Interrupter
132336	MH5 - mounting Hole Plugs for use with 5" traditional drill pattern (3 set of 3 plugs)
681126	MH3 - mounting Hole Plugs for use with 3" reduced drill pattern (3 set of 3 plugs)
725841	MH2 - Mounting Hole Plugs for use with 2" reduced drill pattern (3 sets of 3 plugs)
172539	Vibration Damper - 4" Square Pole (bolt-on mount only)
172538	Vibration Damper - 5" Square Pole (bolt-on mount only)
178361	Vibration Damper - 6" Square Pole (bolt-on mount only)

### ANCHOR BOLT KIT ORDERING INFORMATION

Part Number	Description
AB KIT 122584	4SQ S11G/S07G Anchor Bolts (Steel Plated)
AB KIT 122609	4SQ S11G/S07G Anchor Bolts (Galvanized)
AB KIT 1225850	5SQ S11G Anchor Bolts (Steel Plated)
AB KIT 122610	5SQ S11G Anchor Bolts (Galvanized)
AB KIT 122586	5SQ S07G Anchor Bolts (Steel Plated)
AB KIT 122611	5SQ S07G Anchor Bolts (Galvanized)
AB KIT 122612	6SQ S07G Anchor Bolts (Galvanized)

1 - See Area Light Brackets - 3" Reduced Drill Pattern and Area Light Brackets - 5" Traditional Drill Pattern Spec Sheets.

2 - Pole heights will have +/- 1/2" tolerance.

3 - See Flood Lighting Brackets section for choice of FBO brackets.

4 - CR selection must indicate required height and side of pole mounting location. Mounting template required at time of order.



## Steel Poles Square Straight

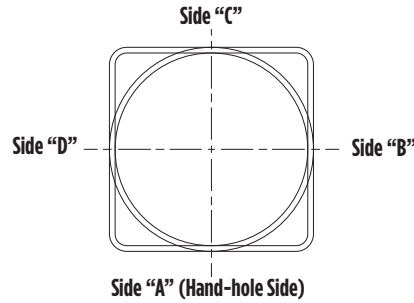
Type : \_\_\_\_\_

**Have questions?** Call us at (800) 436-7800

### DRILLING LOCATIONS

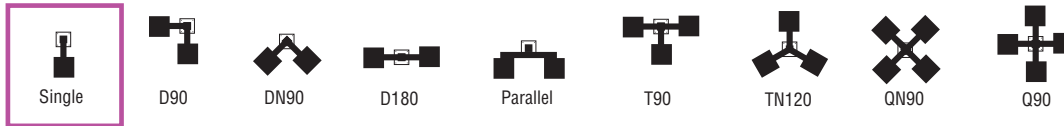
[Back to Quick Links](#)

Sides	A	B	C	D
Hand-hole	X			
Single	X			
D180		X		X
D90	X			X
DN90 <sup>1</sup>				
T90	X	X		X
TN120 <sup>2</sup>				
Q90	X	X	X	X
QN90 <sup>3</sup>				
Single FBO	X			
Double FBO		X		X



- 1 - Two locations will be 45° to the left and right of Side A.
  - 2 - Other two locations will be 120° to the left and right of Side A.
  - 3 - Two locations will be 45° to the left and right of Side A and two locations will be 135° to the left and right of Side A.
- Consult factory for custom variations. Standard SF and DF pole preparations are located 3/4 of the height of the pole from the base, except on 20' poles. Maximum height for SF and DF pole preparations on 20' poles is 13' from the base.

### FIXTURE CONFIGURATIONS



## Steel Poles Square Straight

Type : \_\_\_\_\_

Have questions? Call us at (800) 436-7800

### BOLT CIRCLE

[Back to Quick Links](#)

#### STANDARD BASEPLATE

4" (102mm) square  
10-1/8" (257mm) sq.



11" (279mm) Dia. Bolt Circle

5" (127mm) square  
10-1/8" (257mm) sq.



11" (279mm) Dia. Bolt Circle

5" (127mm) square  
10-1/8" (257mm) sq.



11" (279mm) Dia. Bolt Circle

6" (152mm) square  
12" (305mm) sq.



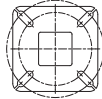
12" (305mm) Dia. Bolt Circle

Bolt Circle Designator	B	C	D	J
Bolt Circle	Slotted 8"-11" (203mm-279mm)	Slotted 9"-11" (229mm-279mm)	Slotted 9"-11" (229mm-279mm)	Slotted 12" (305mm)
Anchor Bolt Size	3/4" x 24" (19mm x 609mm)	3/4" x 24" (19mm x 609mm)	1"x30" (25mm x 762mm)	1"x30" (25mm x 762mm)
Anchor Bolt Projection	3-1/4" (83mm)	3-1/4" (83mm)	4" (102mm)	4" (102mm)
Base Plate Opening for Wireway Entry	3-5/8" (92mm)	4-3/4" (121mm)	4-5/8" (117mm)	5-5/8" (143mm)
Base Plate Dimensions	10-1/8" sq. x 3/4" thk. (257mm x 19mm)	10-1/8" sq. x 3/4" thk. (257mm x 19mm)	10-1/8" sq. x 1" thk. (257mm x 25mm)	12" sq. x 1-1/8" thk. (305mm x 29mm)
Pole Gauge	11	11	7	7

Note: Base plate illustrations may change without notice. Do not use for setting anchor bolts. Consult factory for the appropriate anchor bolt template.

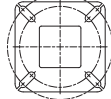
#### UNIVERSAL BASEPLATE

4" (102mm) square  
10.5" (267mm) sq.



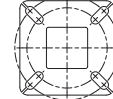
4SQ

5" (127mm) square  
11.125" (283mm) sq.



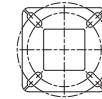
5SQ

5" (127mm) square  
11.75" (298mm) sq.



5SQ

6" (152mm) square  
12-1/2" (318mm) sq.



14" (356mm) Dia. Bolt Circle

Bolt Circle Designator	E	F	G	H
Bolt Circle	Slotted 9"-12"	Slotted 10"-13"	Slotted 10"-13"	Slotted 11"-14" (279mm-356mm)
Anchor Bolt Size	3/4" x 24" (19mm x 609 mm)	3/4x 24" (19mm x 609 mm)	1"x30" (25mm x 762mm)	1"x30" (25mm x 762mm)
Anchor Bolt Projection	3-1/4" (83 mm)	3-1/4" (83 mm)	4" (102 mm)	4" (102mm)
Base Plate Opening for Wireway Entry	3-5/8" (92mm)	4-3/4" (121mm)	5-1/8" (130 mm)	5-5/8" (143mm)
Base Plate Dimensions	10-1/2" sq. x 3/4" thk. (267 mm x 19 mm)	11-1/8 sq. x 3/4" thk. (283 mm x 19 mm)	11-3/4" sq. x 1" thk. (298 mm x 25 mm)	12 1/2" sq. x 1 1/8" thk. (318mm x 29mm)
Pole Gauge	11	11	7	7

Note: Base plate illustrations may change without notice. Do not use for setting anchor bolts. Consult factory for the appropriate anchor bolt template.

1 - Full Galvanized option is 1" x 30" straight headed anchor bolt. Contact factory for questions

## Steel Poles Square Straight

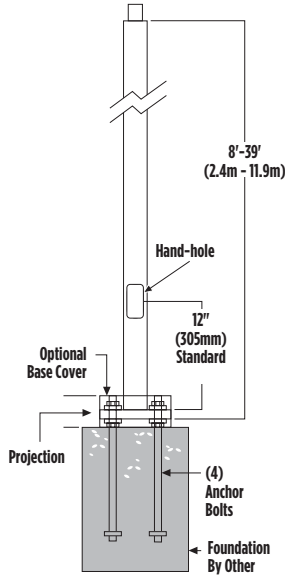
Type : \_\_\_\_\_

Have questions? Call us at (800) 436-7800

### PRODUCT DIMENSIONS

[Back to Quick Links](#)

SQT -  
N= 2-3/8" (60mm) O.D. x 4-3/4" (121mm) Tenon



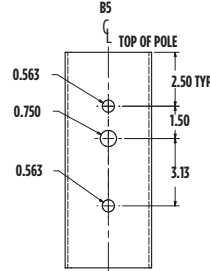
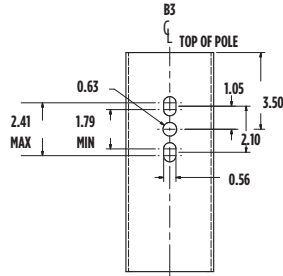
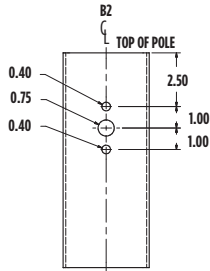
SF -  
Single Flood  
Pole Preparation



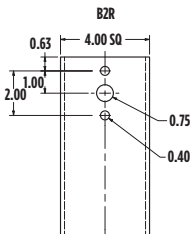
#### SHIPPING WEIGHTS

4" (102mm) sq. 11 Ga. is approximately	7.50 lbs./ft.
4" (102mm) sq. 07 Ga. is approximately	10.00 lbs./ft.
5" (127mm) sq. 11 Ga. is approximately	9.00 lbs./ft.
5" (127mm) sq. 07 Ga. is approximately	12.50 lbs./ft.
6" (152mm) sq. 07 Ga. is approximately	15.40 lbs./ft.
Anchor Bolts (3/4" x 24") (19mm x 609mm)	15 lbs. (7kg)/set
Anchor Bolts (1" x 30") (25mm x 762mm)	30 lbs. (14kg)/set

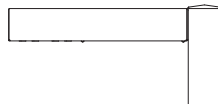
#### Bolt-On Mount 2-Bolt Pattern



ONLY FOR USE WITH LAL4 PRODUCT  
BZR- Raised 2" low profile drilling pattern



SIDE VIEW



TOP VIEW



## Steel Poles Square Straight

Type : \_\_\_\_\_

Have questions? Call us at (800) 436-7800

### WIND SPEED

[Back to Quick Links](#)

**EPA Information**

All LSI Industries' poles are guaranteed to meet the EPA requirements listed. LSI Industries is not responsible if a pole order has a lower EPA rating than the indicated wind-loading zone where the pole will be located.

CAUTION: This guarantee does not apply if the pole/bracket/fixture combination is used to support any other items such as flags, pennants, or signs, which would add stress to the pole. LSI Industries cannot accept responsibility for harm or damage caused in these situations.

NOTE: Pole calculations include a 1.3 gust factor over steady wind velocity. Example: poles designed to withstand 80 MPH steady wind will withstand gusts to 104 MPH. EPAs are for locations 100 miles away from hurricane ocean lines. Consult LSI for other areas. Note: Hurricane ocean lines are the Atlantic and Gulf of Mexico coastal areas. For applications in Florida or Canada, consult factory.

POLE <sup>2</sup>	Mtg. Height Length (ft)	Wall Thick (ga)	BOLT CIRCLE			EPA									
			Designator	Dia. (in)	Anchor bolt Dia {in}	110 MPH	115 MPH	120 MPH	130 MPH	140 MPH	150 MPH	160 MPH	170 MPH	180 MPH	
4" x 11-ga x 12'	12	11	B	8" - 11"	0.75	13.9	12.5	11.3	9.2	7.6	6.3	5.2	4.3	3.6	
4" x 11-ga x 14'	14	11	B	8" - 11"	0.75	10.7	9.5	8.5	6.8	5.4	4.4	3.5	2.7	2.1	
4" x 11-ga x 16'	16	11	B	8" - 11"	0.75	8.2	7.2	6.4	4.9	3.8	2.9	2.1	1.5	1.0	
4" x 11-ga x 18'	18	11	B	8" - 11"	0.75	6.3	5.4	4.7	3.4	2.4	1.6	1.0	0.4	n/a	
4" x 11-ga x 20'	20	11	B	8" - 11"	0.75	4.6	3.9	3.2	2.1	1.2	0.6	n/a	n/a	n/a	
4" x 11-ga x 22'	22	11	B	8" - 11"	0.75	7.6	6.6	5.7	4.2	3.0	2.0	1.2	0.5	n/a	
4" x 11-ga x 24'	24	11	B	8" - 11"	0.75	6.0	5.1	4.3	2.9	1.8	0.9	n/a	n/a	n/a	
4" x 11-ga x 26'	26	11	B	8" - 11"	0.75	4.6	3.7	3.0	1.7	0.7	n/a	n/a	n/a	n/a	
4" x 7-ga x 14'	14	7	B	8" - 11"	0.75	18.3	16.4	14.9	12.2	10.2	8.5	7.1	5.9	5.0	
4" x 7-ga x 16'	16	7	B	8" - 11"	0.75	14.7	13.2	11.8	9.6	7.8	6.3	5.2	4.2	3.4	
4" x 7-ga x 18'	18	7	B	8" - 11"	0.75	11.9	10.5	9.3	7.4	5.9	4.6	3.6	2.8	2.1	
4" x 7-ga x 20'	20	7	B	8" - 11"	0.75	9.6	8.4	7.4	5.7	4.3	3.2	2.3	1.6	0.9	
4" x 7-ga x 22'	22	7	B	8" - 11"	0.75	7.7	6.6	5.7	4.2	3.0	2.0	1.2	0.5	n/a	
4" x 7-ga x 24'	24	7	B	8" - 11"	0.75	6.0	5.1	4.3	2.9	1.8	0.9	n/a	n/a	n/a	
4" x 7-ga x 26'	26	7	B	8" - 11"	0.75	4.6	3.7	3.0	1.7	0.7	n/a	n/a	n/a	n/a	
4" x 7-ga x 28'	28	7	B	8" - 11"	0.75	3.3	2.5	1.8	0.7	n/a	n/a	n/a	n/a	n/a	
4" x 7-ga x 30'	30	7	B	8" - 11"	0.75	2.2	1.4	0.8	n/a	n/a	n/a	n/a	n/a	n/a	
5" x 11-ga x 14'	14	11	C	9" - 11"	0.75	17.4	15.7	14.1	11.5	9.3	7.7	6.3	5.2	4.2	
5" x 11-ga x 16'	16	11	C	9" - 11"	0.75	13.8	12.3	10.9	8.7	6.9	5.5	4.3	3.3	2.5	
5" x 11-ga x 18'	18	11	C	9" - 11"	0.75	10.8	9.6	8.4	6.5	4.9	3.7	2.6	1.8	1.1	
5" x 11-ga x 20'	20	11	C	9" - 11"	0.75	8.5	7.3	6.3	4.6	3.2	2.1	1.2	0.5	n/a	
5" x 11-ga x 22'	22	11	C	9" - 11"	0.75	10.9	9.5	8.3	6.2	4.5	3.2	2.1	1.2	0.5	
5" x 11-ga x 24'	24	11	C	9" - 11"	0.75	8.8	7.5	6.4	4.5	3.0	1.8	0.8	n/a	n/a	
5" x 11-ga x 26'	26	11	C	9" - 11"	0.75	6.8	5.7	4.6	3.0	1.6	0.6	n/a	n/a	n/a	
5" x 11-ga x 28'	28	11	C	9" - 11"	0.75	5.2	4.1	3.2	1.6	0.4	n/a	n/a	n/a	n/a	
5" x 11-ga x 30'	30	11	C	9" - 11"	0.75	3.6	2.7	1.8	0.4	n/a	n/a	n/a	n/a	n/a	
5" x 7-ga x 20'	20	7	D	9" - 11"	1.00	21.6	19.3	17.3	14.0	11.3	9.2	7.4	6.0	4.8	
5" x 7-ga x 22'	22	7	D	9" - 11"	1.00	20.7	18.6	16.6	13.3	10.7	8.5	6.8	5.4	4.2	
5" x 7-ga x 24'	24	7	D	9" - 11"	1.00	17.7	15.6	13.8	10.8	8.5	6.6	5.0	3.7	2.6	
5" x 7-ga x 26'	26	7	D	9" - 11"	1.00	14.9	13.1	11.4	8.8	6.6	4.9	3.5	2.3	1.3	
5" x 7-ga x 28'	28	7	D	9" - 11"	1.00	12.5	10.9	9.4	6.9	4.9	3.4	2.1	1.0	n/a	
5" x 7-ga x 30'	30	7	D	9" - 11"	1.00	10.3	8.9	7.5	5.2	3.4	2.0	0.8	n/a	n/a	
5" x 7-ga x 35'	35	7	D	9" - 11"	1.00	6.0	4.8	3.6	1.8	n/a	n/a	n/a	n/a	n/a	
6" x 7-ga x 24'	24	7	J	12"	1.00	18.6	16.4	14.3	11.2	8.6	6.5	4.8	3.4	2.2	
6" x 7-ga x 26'	26	7	J	12"	1.00	15.6	13.4	11.7	8.8	6.5	4.6	3.0	1.8	0.7	
6" x 7-ga x 28'	28	7	J	12"	1.00	12.9	10.9	9.3	6.7	4.6	2.8	1.5	n/a	n/a	
6" x 7-ga x 30'	30	7	J	12"	1.00	10.4	8.8	7.3	4.8	2.9	1.3	n/a	n/a	n/a	
6" x 7-ga x 32'	32	7	J	12"	1.00	8.3	6.8	5.5	3.1	1.3	n/a	n/a	n/a	n/a	
6" x 7-ga x 34'	34	7	J	12"	1.00	6.5	5.0	3.7	1.6	n/a	n/a	n/a	n/a	n/a	
6" x 7-ga x 35'	35	7	J	12"	1.00	5.5	4.2	2.9	0.9	n/a	n/a	n/a	n/a	n/a	
6" x 7-ga x 39'	39	7	J	12"	1.00	2.3	1.0	n/a	n/a	n/a	n/a	n/a	n/a	n/a	



## Steel Poles Square Straight

Type : \_\_\_\_\_

Have questions? Call us at (800) 436-7800

### WIND SPEED

POLE <sup>1</sup>	Mtg. Height Length (ft)	Wall Thick (ga)	BOLT CIRCLE			EPA								
			Designator	Dia. (in)	Anchor Bolt Dia (in)	110 MPH	115 MPH	120 MPH	130 MPH	140 MPH	150 MPH	160 MPH	170 MPH	180 MPH
5" x 11-ga x 14'	14	11	F	11"	0.75	17.6	15.8	14.2	11.5	9.4	7.7	6.3	5.2	4.3
5" x 11-ga x 14'	14	11	F	13"	0.75	17.6	15.8	14.2	11.5	9.4	7.7	6.3	5.2	4.3
5" x 11-ga x 16'	16	11	F	11"	0.75	13.9	12.2	11.0	8.8	7.0	5.5	4.3	3.4	2.5
5" x 11-ga x 16'	16	11	F	13"	0.75	13.9	12.2	11.0	8.8	7.0	5.5	4.3	3.4	2.5
5" x 11-ga x 18'	18	11	F	11"	0.75	11.0	9.6	8.4	6.5	5.0	3.7	2.7	1.8	1.1
5" x 11-ga x 18'	18	11	F	13"	0.75	11.0	9.6	8.4	6.5	5.0	3.7	2.7	1.8	1.1
5" x 11-ga x 20'	20	11	F	11"	0.75	8.6	7.4	6.4	4.6	3.3	2.2	1.3	0.5	-
5" x 11-ga x 20'	20	11	F	13"	0.75	8.6	7.4	6.4	4.6	3.3	2.2	1.3	0.5	-
5" x 11-ga x 22'	22	11	F	11"	0.75	12.7	11.1	9.6	7.4	5.6	4.1	3.0	2.0	1.1
5" x 11-ga x 22'	22	11	F	12"	0.75	10.3	8.9	7.7	5.7	4.1	2.8	1.8	0.9	-
5" x 11-ga x 22'	22	11	F	13"	0.75	8.6	7.4	6.4	4.6	3.1	2.0	1.1	-	-
5" x 11-ga x 24'	24	11	F	11"	0.75	10.2	8.9	7.6	5.6	4.0	2.6	1.6	0.7	-
5" x 11-ga x 24'	24	11	F	12"	0.75	8.0	6.9	5.8	4.0	2.6	1.5	0.5	-	-
5" x 11-ga x 24'	24	11	F	13"	0.75	6.7	5.5	4.6	3.0	1.7	0.7	-	-	-
5" x 11-ga x 26'	26	11	F	11"	0.75	8.1	6.9	5.8	4.0	2.5	1.3	-	-	-
5" x 11-ga x 26'	26	11	F	12"	0.75	6.2	5.1	4.1	2.6	1.3	-	-	-	-
5" x 11-ga x 26'	26	11	F	13"	0.75	5.0	4.0	3.1	1.6	0.5	-	-	-	-
5" x 11-ga x 28'	28	11	F	11"	0.75	6.3	5.2	4.3	2.5	1.1	-	-	-	-
5" x 11-ga x 28'	28	11	F	12"	0.75	4.6	3.6	2.7	1.2	-	-	-	-	-
5" x 11-ga x 28'	28	11	F	13"	0.75	3.4	2.5	1.7	-	-	-	-	-	-
5" x 11-ga x 30'	30	11	F	11"	0.75	4.7	3.7	2.8	1.2	-	-	-	-	-
5" x 11-ga x 30'	30	11	F	12"	0.75	3.1	2.2	1.4	-	-	-	-	-	-
5" x 11-ga x 30'	30	11	F	13"	0.75	2.0	1.2	0.5	-	-	-	-	-	-
5" x 7-ga x 20'	20	7	G	11"	0.75	19.0	17.0	15.0	12.2	9.7	7.8	6.2	5.0	3.8
5" x 7-ga x 20'	20	7	G	12"	0.75	21.4	19.1	17.1	13.8	11.2	9.1	7.3	5.9	4.7
5" x 7-ga x 20'	20	7	G	13"	0.75	21.4	19.2	17.2	13.9	11.3	9.2	7.4	6.0	4.8
5" x 7-ga x 20'	20	7	G	11"	1	21.7	19.4	17.4	14.0	11.4	9.3	7.5	6.0	4.8
5" x 7-ga x 20'	20	7	G	13"	1	21.7	19.4	17.4	14.0	11.4	9.3	7.5	6.0	4.8
5" x 7-ga x 22'	22	7	G	11"	0.75	16.0	14.1	12.5	9.8	7.6	5.9	4.4	3.3	2.3
5" x 7-ga x 22'	22	7	G	12"	0.75	17.7	15.9	14.2	11.2	8.7	7.0	5.4	4.1	3.0
5" x 7-ga x 22'	22	7	G	13"	0.75	19.9	17.3	15.6	12.6	10.0	8.0	6.3	5.0	3.8
5" x 7-ga x 22'	22	7	G	11"	1	21.0	18.7	16.7	13.4	10.6	8.5	6.8	5.4	4.2
5" x 7-ga x 22'	22	7	G	12"	1	23.4	20.6	18.4	15.0	12.2	9.9	8.0	6.4	5.1
5" x 7-ga x 22'	22	7	G	13"	1	21.3	18.8	17.0	13.7	11.0	8.8	7.0	5.6	4.3
5" x 7-ga x 24'	24	7	G	11"	0.75	13.3	11.6	10.0	7.7	5.7	4.2	2.9	1.9	1.0
5" x 7-ga x 24'	24	7	G	12"	0.75	15.0	13.0	11.6	8.9	6.8	5.1	3.8	2.6	1.7
5" x 7-ga x 24'	24	7	G	13"	0.75	16.6	14.6	12.9	10.2	8.0	6.1	4.6	3.3	2.3
5" x 7-ga x 24'	24	7	G	11"	1	17.5	15.7	13.9	10.9	8.6	6.7	5.0	3.7	2.7
5" x 7-ga x 24'	24	7	G	12"	1	20.0	17.4	15.4	12.3	9.9	7.8	6.0	4.7	3.5
5" x 7-ga x 24'	24	7	G	13"	1	18.1	16.0	14.2	11.0	8.7	6.7	5.3	3.9	2.8
5" x 7-ga x 26'	26	7	G	11"	0.75	10.9	9.3	8.0	5.9	4.1	2.7	1.6	0.6	-
5" x 7-ga x 26'	26	7	G	12"	0.75	12.4	10.9	9.5	7.0	5.1	3.6	2.3	1.3	-
5" x 7-ga x 26'	26	7	G	13"	0.75	14.0	12.3	10.7	8.1	6.0	4.4	3.1	2.0	1.0
5" x 7-ga x 26'	26	7	G	11"	1	15.0	13.2	11.5	8.8	6.7	4.9	3.5	2.3	1.3

## Steel Poles Square Straight

Type : \_\_\_\_\_

Have questions? Call us at (800) 436-7800

### WIND SPEED

POLE <sup>1</sup>	Mtg. Height Length (ft)	Wall Thick (ga)	BOLT CIRCLE			EPA									
			Designator	Dia. (in)	Anchor Bolt Dia (in)	110 MPH	115 MPH	120 MPH	130 MPH	140 MPH	150 MPH	160 MPH	170 MPH	180 MPH	
5" x 7-ga x 26'	26	7	G	12"	1	17.0	14.8	13.0	10.2	7.9	6.0	4.4	3.1	2.1	
5" x 7-ga x 26'	26	7	G	13"	1	15.3	13.5	11.8	9.0	6.8	5.0	3.6	2.5	1.4	
5" x 7-ga x 28'	28	7	G	11"	0.75	8.9	7.4	6.3	4.3	2.7	1.4	-	-	-	
5" x 7-ga x 28'	28	7	G	12"	0.75	10.2	8.8	7.5	5.3	3.5	2.1	1.0	-	-	
5" x 7-ga x 28'	28	7	G	13"	0.75	11.8	10.2	8.8	6.4	4.5	3.0	1.7	0.7	-	
5" x 7-ga x 28'	28	7	G	11"	1	12.5	10.9	9.5	7.0	5.0	3.3	2.1	1.0	-	
5" x 7-ga x 28'	28	7	G	12"	1	14.2	12.4	11.0	8.2	6.0	4.3	3.0	1.7	0.8	
5" x 7-ga x 28'	28	7	G	13"	1	12.9	11.0	9.7	7.2	5.2	3.6	2.2	1.1	-	
5" x 7-ga x 30'	30	7	G	11"	0.75	7.0	5.8	4.7	2.8	1.3	-	-	-	-	
5" x 7-ga x 30'	30	7	G	12"	0.75	8.4	7.0	5.8	3.8	2.2	0.9	-	-	-	
5" x 7-ga x 30'	30	7	G	13"	0.75	9.7	8.2	7.0	4.8	3.0	1.6	0.5	-	-	
5" x 7-ga x 30'	30	7	G	11"	1	10.4	8.8	7.6	5.3	3.4	2.0	0.8	-	-	
5" x 7-ga x 30'	30	7	G	12"	1	12.0	10.3	9.0	6.4	4.4	2.9	1.6	0.5	-	
5" x 7-ga x 30'	30	7	G	13"	1	10.6	9.1	7.7	5.5	3.6	2.1	1.0	-	-	
5" x 7-ga x 35'	35	7	G	11"	0.75	3.2	2.2	1.2	-	-	-	-	-	-	
5" x 7-ga x 35'	35	7	G	12"	0.75	4.4	3.2	2.2	0.5	-	-	-	-	-	
5" x 7-ga x 35'	35	7	G	13"	0.75	5.5	4.2	3.1	1.3	-	-	-	-	-	
5" x 7-ga x 35'	35	7	G	11"	1	6.0	4.8	3.6	1.8	-	-	-	-	-	
5" x 7-ga x 35'	35	7	G	12"	1	7.3	6.0	4.8	2.7	1.1	-	-	-	-	
5" x 7-ga x 35'	35	7	G	13"	1	6.3	5.0	3.8	1.9	-	-	-	-	-	
6" x 7-ga x 24'	24	7	H	11"	1	16.5	14.4	12.6	9.6	7.2	5.3	3.8	2.5	1.4	
6" x 7-ga x 24'	24	7	H	12-1/2"	1	19.8	17.5	15.4	12.0	9.2	7.0	5.3	3.8	2.7	
6" x 7-ga x 24'	24	7	H	14"	1	23.0	20.5	18.0	14.3	11.2	8.9	6.9	5.3	3.8	
6" x 7-ga x 26'	26	7	H	11"	1	13.7	11.8	10.2	7.5	5.3	3.6	2.1	1.0	-	
6" x 7-ga x 26'	26	7	H	12-1/2"	1	16.5	14.6	12.6	9.6	7.0	5.2	3.6	2.2	1.1	
6" x 7-ga x 26'	26	7	H	14"	1	19.6	17.3	15.2	11.7	8.9	6.7	5.0	3.5	2.2	
6" x 7-ga x 28'	28	7	H	11"	1	11.0	9.3	7.8	5.5	3.5	1.9	0.6	-	-	
6" x 7-ga x 28'	28	7	H	12-1/2"	1	13.8	12.0	10.2	7.5	5.2	3.4	1.9	0.7	-	
6" x 7-ga x 28'	28	7	H	14"	1	16.4	14.5	12.5	9.4	6.9	4.7	3.2	1.8	0.7	
6" x 7-ga x 30'	30	7	H	11"	1	9.0	7.3	6.0	3.6	1.9	0.5	-	-	-	
6" x 7-ga x 30'	30	7	H	12-1/2"	1	11.4	9.6	8.0	5.5	3.4	1.7	-	-	-	
6" x 7-ga x 30'	30	7	H	14"	1	14.0	12.0	10.0	7.2	5.0	3.2	1.6	-	-	
6" x 7-ga x 32'	32	7	H	11"	1	7.0	5.5	4.2	2.0	-	-	-	-	-	
6" x 7-ga x 32'	32	7	H	12-1/2"	1	9.2	7.6	6.0	3.8	1.8	-	-	-	-	
6" x 7-ga x 32'	32	7	H	14"	1	11.4	9.7	8.0	5.4	3.2	1.6	-	-	-	
6" x 7-ga x 34'	34	7	H	11"	1	5.1	3.7	2.5	0.6	-	-	-	-	-	
6" x 7-ga x 34'	34	7	H	12-1/2"	1	7.2	5.6	4.4	2.2	-	-	-	-	-	
6" x 7-ga x 34'	34	7	H	14"	1	9.3	7.6	6.2	3.6	1.7	-	-	-	-	
6" x 7-ga x 35'	35	7	H	11"	1	4.2	3.0	1.8	-	-	-	-	-	-	
6" x 7-ga x 35'	35	7	H	12-1/2"	1	6.2	4.8	3.6	1.4	-	-	-	-	-	
6" x 7-ga x 35'	35	7	H	14"	1	8.2	6.6	5.2	2.9	1.0	-	-	-	-	
6" x 7-ga x 39'	39	7	H	11"	1	1.0	-	-	-	-	-	-	-	-	
6" x 7-ga x 39'	39	7	H	12-1/2"	1	3.0	1.6	0.5	-	-	-	-	-	-	
6" x 7-ga x 39'	39	7	H	14"	1	4.6	3.3	2.0	-	-	-	-	-	-	



Catalog #: \_\_\_\_\_ Project: \_\_\_\_\_ Type: \_\_\_\_\_  
Prepared By: \_\_\_\_\_ Date: \_\_\_\_\_

## V-Locity Small (VALS)

### Outdoor LED Area Light



OVERVIEW	
Lumen Package	6,000 - 27,000
Wattage Range	36 - 178
Efficacy Range (LPW)	96 - 171
Weight lbs(kg)	20 (9.1)
Control Options	IMSBT, ALB, ALS, 7-Pin, PCI

#### QUICK LINKS

[Ordering Guide](#)

[Performance](#)

[Photometrics](#)

[Dimensions](#)

#### FEATURES & SPECIFICATIONS

##### Construction

- Rugged die-cast aluminum housing contains factory prewired driver and optical units. Cast aluminum wiring access door located underneath.
- Self-contained optic, board and heat sink assembly can be rotated or replaced in the field.
- Fixtures are finished with LSI's DuraGrip® polyester powder coat finishing process. The DuraGrip finish withstands extreme weather changes without cracking or peeling. Other standard LSI finishes available. Consult factory.
- Shipping weight: TBD lbs in carton.

##### Optical System

- State-of-the-Art acrylic optics delivers industry leading optical control with an integrated gasket to provide IP66 rated seal.
- Proprietary refractor optics provide exceptional coverage and uniformity in distribution types 2, 3M, 3W, 4M, 4W, 4F, FTM, 5QN, 5QM, 5Q, 5QW, AM, WF and LC/RC.
- Available in 5000K, 4000K, 3500K, 3000K and 2700K color temperatures per ANSI C78.377 as well as phosphor converted amber.
- Minimum CRI of 80 (optional 70 CRI for 5000K and 4000K).
- Factory or field installable integral shielding available for enhanced spill light control.
- Zero Uplight (excludes adjustable arms).

##### Electrical

- High-performance driver features over-voltage, under voltage, short-circuit and over temperature protection.
- 0-10 volt dimming (10% - 100%) standard, must specify EXT option for dimming leads to be extended to fixture exterior.
- Standard Universal Voltage (120-277 VAC) Input 50/60 Hz or optional High Voltage (347-480 VAC).
- L70 Calculated Life: >60k Hours
- Total harmonic distortion: <20%
- Operating temperature: -40°C to +50°C (-40°F to +122°F).
- Power factor: >.90
- Input power stays constant over life.
- Field replaceable 10kV surge protection device meets a minimum Category C Low operation (per ANSI/IEEE C62.41.2).
- High-efficacy LEDs mounted to metal-core circuit board to maximize heat dissipation
- Driver is fully encased in potting material for moisture resistance and complies with FCC standards. Driver and key electronic components can easily be accessed.

##### Controls

- Optional integral passive infrared Bluetooth™ motion and photocell sensor. Fixtures operate independently and can be commissioned via iOS or Android configuration app.
- LSI's AirLink™ wireless control system options reduce energy and maintenance costs while optimizing light quality 24/7.

##### Installation

- REDiMount pole mount arm allows for a true one person installation.
- Side arm pole mount designed to mount to square or round poles.
- Pole mount arms can accommodate pole drill patterns from 2.4 to 5" on center and utilize LSI's reduced B3 or traditional B5 drill patterns.
- Additional mounting options are available including a mast arm or adjustable slip fitter that allow for luminaire attachment to a 2 3/8" tenon or mast arm.
- Adjustable arms allow for 65° of tilt (-5° below horizontal to +60° above horizontal) in 5° increments.

##### Warranty

- LSI luminaires carry a 5-year limited warranty. Refer to <https://www.lsicorp.com/resources/terms-conditions-warranty/> for more information.

##### Listings

- Listed to UL 1598 and UL 8750.
- Meets Buy American Act requirements.
- DarkSky approved with 3000K or warmer color temperature selection (side arm pole and mast arm mounting only).
- Title 24 Compliant; see local ordinance for qualification information.
- Suitable for wet locations.
- IP66 rated Luminaire per IEC 60598-1.
- 3G rated for ANSI C136.31 high vibration applications are qualified.





Date: 10/17/2024

Project:  
MARTIN STREET BUS  
TERMINAL

Description:  
VALS-15L-4M-UNV-50K7-BLK-SA-IS

Line Item#: 3  
Go to Bill of Materials

Type: B

Powered by 4submittal.com

## V-Locity Small (VALS) Outdoor LED Area Light

Type : \_\_\_\_\_

Have questions? Call us at (800) 436-7800

### ORDERING GUIDE

[Back to Quick Links](#)

TYPICAL ORDER EXAMPLE: VALS 18L 4W UNV 40K8 BLK SA ALBMR2LR IS						
Prefix	Lumen Package	Distribution	Orientation <sup>2</sup>	Voltage	Color Temp / Rendering	Finish
VALS - V-Locity Area Light Small	6L - 6,000 lms, 36W 9L - 9,000 lms, 54W 12L - 12,000 lms, 74W 15L - 15,000 lms, 91W 18L - 18,000 lms, 111W 21L - 21,000 lms, 130W 24L - 24,000 lms, 155W 27L - 27,000 lms, 178W Custom Lumen Packages <sup>1</sup>	2 - Type 2 3M - Type 3 Medium 3W - Type 3 Wide 4M - Type 4 Medium 4F - Type 4 Forward 4W - Type 4 Wide FTM - Forward Throw Medium 5QN - Type 5 Square Narrow 5QM - Type 5 Square Medium 5Q - Type 5 Square 5QW - Type 5 Square Wide AM - Automotive Merchandise WF - 6x6 Wide Flood LC - Left Corner RC - Right Corner	(Blank) - Standard L - Optics rotated left 90° R - Optics rotated right 90°	UNV - Universal Voltage (120-277V) HV - High Voltage (347-480V)	50K7 - 5000 CCT - 70 CRI 50K8 - 5000 CCT - 80 CRI 40K7 - 4000 CCT - 70 CRI 40K8 - 4000 CCT - 80 CRI 35K8 - 3500 CCT - 80 CRI 30K8 - 3000 CCT - 80 CRI 27K8 - 2700 CCT - 80 CRI	BLK - Black BRZ - Dark Bronze GMG - Gun Metal Gray GPT - Graphite MSV - Metallic Silver PLP - Platinum Plus SVG - Satin Verde Green WHT - White

Mounting	Controls (Choose One)	Options
SA - Universal Side Arm Pole Mount SF - Adjustable Slip Fitter UA - Universal Adjustable Pole Mount Arm MA - Mast Arm	(Blank) - None <b>Wireless Controls System</b> ALS - AirLink Synapse Control System ALSCS2 - AirLink Synapse Control System with 12-20' MH Motion Sensor ALSCS4 - AirLink Synapse Control System with 20-40' MH Motion Sensor  ALBMR1LR - AirLink Blue Long Range Wireless Multi-Range Sensor Controller (8-15' MH) <sup>4</sup> ALBMR2LR - AirLink Blue Long Range Wireless Multi-Range Sensor Controller (16-40' MH) <sup>4</sup>	<b>IS - Integral Shield<sup>2</sup></b> TE - Toolless Entry (Mast Arm Only)  <b>Stand-Alone Controls</b> EXT - 0-10v Dimming leads extended to housing exterior  CR7P - 7 Pin Control Receptacle ANSI C136.41 <sup>3</sup>  IMSBTL1 - Integral Bluetooth™ Motion and Photocell Sensor (8-24' MH) <sup>4</sup> IMSBTL2 - Integral Bluetooth™ Motion and Photocell Sensor (25-40' MH) <sup>4</sup>  PCIU - 120-277 Button Photocell PCI347 - 347V Button Photocell



**Need more information?**  
Click here for our glossary

**Have additional questions?**  
Call us at (800) 436-7800



### Accessory Ordering Information<sup>5</sup>

CONTROLS ACCESSORIES	
Description	Order Number
Twist Lock Photocell (120V) for use with CR7P	122514
Twist Lock Photocell (208-277) for use with CR7P	122515
Twist Lock Photocell (347V) for use with CR7P	122516
Twist Lock Photocell (480V) for use with CR7P	1225180
AirLink 5 Pin Twist Lock Controller	661409
AirLink 7 Pin Twist Lock Controller	661410
Shorting Cap for use with CR7P	149328

FUSING OPTIONS <sup>7</sup>	
Description	Order Number
Single Fusing (120V)	See Fusing Accessory Guide
Single Fusing (277V)	
Double Fusing (208V, 240V)	
Double Fusing (480V)	
Double Fusing (347V)	

EXTERNAL SHIELDING OPTIONS	
Description	Order Number
1.5" External Shield	<a href="#">See Shielding Guide</a>
3" External Shield	<a href="#">Guide</a>

- Custom lumen and wattage packages available, consult factory. Values are within industry standard tolerances but not DLC listed.
- Not available on Type 5 or wide flood distributions.
- Control device or shorting cap must be ordered separately. See Accessory Ordering Information.
- Motion sensors are field configurable via the LSI app that can be downloaded from your smartphone's native app store.
- Accessories are shipped separately and field installed.
- "CLR" denotes finish. See Finish options.
- Fusing must be located in hand hole of pole. See [Fusing Accessory Guide](#) for compatibility.

## V-Locity Small (VALS) Outdoor LED Area Light

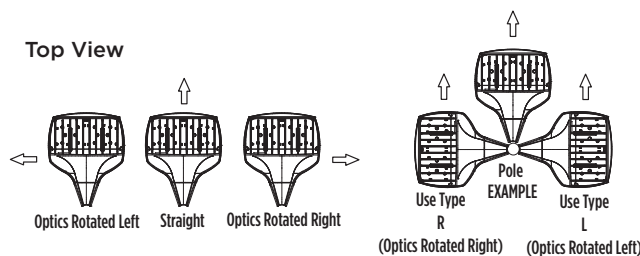
Type : \_\_\_\_\_

Have questions? Call us at (800) 436-7800

### ACCESSORIES

MOUNTING ACCESSORIES		SHIELDING, POLES & MISC. ACCESSORIES			
Side Arm	<b>Bullhorn Bracket</b> Mounts onto a 2" (51mm) IP, 2.375" (60mm) O.D. tenon and allows for mounting up to 4 adjustable slip fitter mount luminaires <b>Part Number: BKS PTB 2 CLR / BKS PTB 12 CLR (2 Luminaires)</b> <b>Part Number: BKS PTB 3-30 CLR / BKS PTB 13-30 CLR (3 Luminaires)</b> <b>Part Number: BKS PTB 4 CLR / BKS PTB 14 CLR (4 Luminaires)</b>		<b>Integral Shield for Asymmetric Distributions</b> Field Install Integral shield provides maximum backlight control by shielding each individual row of LEDs with minimal impact on Street/front side distribution (includes 2 shields) <b>Part Number: 839727</b>		
	<b>Flood Wall Mount Bracket</b> Mounts onto vertical wall surface (hardware/anchors not included) <b>Part Number: BKS FMW 5 CLR (5" Straight Version)</b> <b>Part Number: BKS FMW 18 CLR (18" Curved Version)</b>			<b>Integral Shield for Left and Right Corner Distributions</b> Field install integral shield provides cutoff from two sides for maximum spill light control when utilizing LC or RC corner distributions (includes 2 shields) <b>Part Number: TBD</b>	
	<b>Bolt on Side Tenon Mount</b> Bolt on Side Tenon Mount <b>Part Number: BKSFB0 5 CLR (5" Straight Version)</b> <b>Part Number: BKSFB0 18 CLR (18" Curved Version)</b> <b>Part Number: BKSFB0 30 CLR (30" Dual Tenon Version)</b>				<b>External Shield</b> External shield blocks view of light source from anyside of luminaire, additional shielding configurations available <b>Part Number: 835696 (1.5") / 835694 (3")</b>
Tenon / Slipfitter	<b>Square Tenon Top</b> Allows to seamlessly integrate LSI luminaires to open top 4", 5" or 6" square poles with 11 ga. Or 7 ga. wall thickness <b>Part Number: BKA ISF10 _SQ CLR</b>		<b>Square Poles</b> 14 - 39" steel and aluminum poles in 4", 5" and 6" sizes for retrofit and new construction <b>Part Number: 45Q/55Q/65Q</b>		
	<b>Square Tenon Top</b> Mounts onto a 2" (51mm) IP, 2.375" (60mm) O.D. tenon and allows for mounting up to 4 luminaires <b>Part Number: BKA XMM *</b>			<b>Round Poles</b> 10 - 30" steel and aluminum poles in 4" and 5" sizes for retrofit and new construction <b>Part Number: 4RP/SRP</b>	
	<b>Square Internal Slipfitter</b> Mounts inside 4" or 5" square pole and allows for mounting up to 4 luminaires <b>Part Number: BKA X_ISF * CLR</b>			<b>Tapered Poles</b> 20" - 39" steel and aluminum poles for retrofit and new construction <b>Part Number: RTP</b>	
Wall Mount/ Wood Pole	<b>Wall Mount Bracket</b> Mounts onto vertical wall surface ( hardware/anchors not included) <b>Part Number: BKS XBO WM CLR</b>		<b>Bird Spikes</b> 10' linear bird spike (3' recommended per luminaire) silicone adhesive (covers approximately 25' linear fee of bird spike) and application tool <b>Spike Part Number: 751631</b> <b>Adhesive Part Number: 751632</b> <b>Caulk Gun Part Number: 751636</b>		
	<b>Wood Pole Bracket</b> Mounts onto wooden poles (6" minimum OD, hardware/anchors not included) <b>Part Number: BKS XBO WP CLR</b>			<ol style="list-style-type: none"> <li>1 Replace CLR with paint finish description</li> <li>2 Replace XX with SQ for square pole or RD for round pole (≥3" OD)</li> <li>3 Replace * with S (Single), D180 (Double @180°), D90 (Double @90°), T90 (Triple), Q90 (Quad)</li> <li>4 Replace _ with 4 (4" square pole) or 5 (5" square pole)</li> </ol>	

### OPTICS ROTATION



### ACCESSORIES/OPTIONS

#### Integral Shield (IS)

Integral Shield (IS) available for improved backlight control without sacrificing Street side performance. LSI's Integral Shield (IS) option delivers backlight control that significantly reduces spill light behind the pole for applications with pole locations close to adjacent properties. The design maximizes forward reflected light while reducing glare, maintaining the optical distribution selected, and most importantly eliminating light trespass. Shields rotate with the optical distribution.



#### 7 Pin Photoelectric Control

7-pin ANSI C136.41-2013 control receptacle option available for twist lock photocontrols or wireless control modules. Control accessories sold separately. Dimming leads from the receptacle will be connected to the driver dimming leads (Consult factory for alternate wiring).





Date: 10/17/2024

Project:  
MARTIN STREET BUS  
TERMINAL

Description:  
VALS-15L-4M-UNV-50K7-BLK-SA-IS

Line Item#: 3  
Go to Bill of Materials

Type: B  
Powered by 4submittal.com

# V-Locity Small (VALS) Outdoor LED Area Light

Type : \_\_\_\_\_

Have questions? Call us at (800) 436-7800

## PERFORMANCE

[Back to Quick Links](#)

Delivered Lumens (70 CRI)									
Lumen Package	Distribution	CRI	4000K CCT			5000K CCT			Wattage
			Delivered Lumens	Efficacy	BUG Rating	Delivered Lumens	Efficacy	BUG Rating	
6L	2	70	5,696	158	B1-U0-G3	5,709	157	B1-U0-G3	36
	3M		5,432	151	B1-U0-G2	5,444	150	B1-U0-G2	
	3W		5,148	143	B1-U0-G3	5,160	142	B1-U0-G3	
	4M		5,524	153	B1-U0-G2	5,537	152	B1-U0-G2	
	4F		5,251	146	B1-U0-G3	5,263	145	B1-U0-G3	
	4W		4,811	134	B1-U0-G3	4,822	133	B1-U0-G3	
	FTM		5,297	147	B1-U0-G2	5,309	146	B1-U0-G2	
	5QN		6,025	167	B2-U0-G1	6,038	166	B2-U0-G1	
	5QM		6,141	171	B3-U0-G1	6,155	169	B3-U0-G1	
	5Q		5,917	164	B3-U0-G1	5,931	163	B3-U0-G1	
	5QW		5,748	160	B3-U0-G2	5,761	159	B3-U0-G1	
	AM		5,908	164	B0-U0-G1	5,921	163	B0-U0-G1	
	WF		6,097	169	B2-U0-G0	6,111	168	B2-U0-G0	
	LC/RC		4,974	138	B1-U0-G3	4,985	137	B1-U0-G3	
9L	2	70	8,562	159	B2-U0-G3	8,581	159	B2-U0-G3	54
	3M		8,165	151	B1-U0-G3	8,184	152	B1-U0-G3	
	3W		7,739	143	B1-U0-G3	7,756	144	B1-U0-G3	
	4M		8,304	154	B1-U0-G3	8,323	154	B1-U0-G3	
	4F		7,894	146	B1-U0-G4	7,911	147	B1-U0-G3	
	4W		7,232	134	B1-U0-G3	7,248	134	B1-U0-G3	
	FTM		7,963	147	B1-U0-G2	7,981	148	B1-U0-G2	
	5QN		9,056	168	B3-U0-G1	9,077	168	B3-U0-G1	
	5QM		9,231	171	B3-U0-G2	9,252	171	B3-U0-G2	
	5Q		8,895	165	B3-U0-G2	8,915	165	B3-U0-G2	
	5QW		8,640	160	B4-U0-G2	8,659	160	B4-U0-G2	
	AM		8,880	164	B0-U0-G2	8,900	165	B0-U0-G2	
	WF		9,165	170	B3-U0-G0	9,186	170	B3-U0-G0	
	LC/RC		7,477	138	B1-U0-G3	7,494	139	B1-U0-G3	
12L	2	70	11,651	157	B2-U0-G3	11,677	158	B2-U0-G3	74
	3M		11,111	150	B1-U0-G3	11,136	151	B1-U0-G3	
	3W		10,531	142	B2-U0-G4	10,554	143	B2-U0-G4	
	4M		11,300	153	B1-U0-G3	11,325	153	B1-U0-G3	
	4F		10,741	145	B1-U0-G4	10,765	146	B1-U0-G4	
	4W		9,840	133	B1-U0-G3	9,862	133	B1-U0-G3	
	FTM		10,835	146	B1-U0-G3	10,859	147	B1-U0-G3	
	5QN		12,323	167	B3-U0-G1	12,351	167	B3-U0-G1	
	5QM		12,561	170	B4-U0-G2	12,589	170	B4-U0-G2	
	5Q		12,104	164	B4-U0-G2	12,131	164	B4-U0-G2	
	5QW		11,757	159	B4-U0-G2	11,783	159	B4-U0-G2	
	AM		12,083	163	B1-U0-G2	12,111	164	B1-U0-G2	
	WF		12,471	169	B3-U0-G1	12,499	169	B3-U0-G1	
	LC/RC		10,175	137	B2-U0-G3	10,197	138	B2-U0-G3	



Date: 10/17/2024

Project:  
MARTIN STREET BUS  
TERMINAL

Description:  
VALS-15L-4M-UNV-50K7-BLK-SA-IS

Line Item#: 3  
Go to Bill of Materials

Type: B  
Powered by 4submittal.com

### V-Locity Small (VALS) Outdoor LED Area Light

Type : \_\_\_\_\_

Have questions? Call us at (800) 436-7800

#### PERFORMANCE

[Back to Quick Links](#)

Delivered Lumens (70 CRI)									
Lumen Package	Distribution	CRI	4000K CCT			5000K CCT			Wattage
			Delivered Lumens	Efficacy	BUG Rating	Delivered Lumens	Efficacy	BUG Rating	
15L	2	70	14,118	155	B2-U0-G4	14,150	156	B2-U0-G4	91
	3M		13,464	148	B1-U0-G3	13,494	149	B1-U0-G3	
	3W		12,761	140	B2-U0-G4	12,789	141	B2-U0-G4	
	4M		13,693	150	B1-U0-G3	13,724	151	B1-U0-G3	
	4F		13,016	143	B2-U0-G5	13,045	144	B1-U0-G5	
	4W		11,924	131	B1-U0-G4	11,951	132	B1-U0-G4	
	FTM		13,130	144	B1-U0-G3	13,159	145	B1-U0-G3	
	5QN		14,933	164	B3-U0-G2	14,966	165	B3-U0-G2	
	5QM		15,221	167	B4-U0-G2	15,255	168	B4-U0-G2	
	5Q		14,667	161	B4-U0-G2	14,699	162	B4-U0-G2	
	5QW		14,246	157	B4-U0-G2	14,278	158	B4-U0-G2	
	AM		14,642	161	B1-U0-G2	14,675	162	B1-U0-G2	
	WF		15,112	166	B3-U0-G1	15,146	167	B3-U0-G1	
	LC/RC		12,329	135	B2-U0-G4	12,357	136	B2-U0-G4	
18L	2	70	17,086	154	B3-U0-G4	17,124	154	B3-U0-G4	111
	3M		16,294	147	B2-U0-G4	16,331	147	B2-U0-G4	
	3W		15,443	139	B2-U0-G5	15,477	139	B2-U0-G5	
	4M		16,571	149	B1-U0-G4	16,608	150	B1-U0-G4	
	4F		15,751	142	B2-U0-G5	15,786	142	B2-U0-G5	
	4W		14,430	130	B2-U0-G4	14,462	130	B2-U0-G4	
	FTM		15,889	143	B1-U0-G3	15,925	144	B1-U0-G3	
	5QN		18,072	163	B4-U0-G2	18,112	163	B3-U0-G2	
	5QM		18,420	166	B4-U0-G2	18,461	166	B4-U0-G2	
	5Q		17,749	160	B4-U0-G2	17,789	160	B4-U0-G2	
	5QW		17,241	155	B5-U0-G3	17,279	156	B5-U0-G3	
	AM		17,720	160	B1-U0-G2	17,760	160	B1-U0-G2	
	WF		18,289	165	B4-U0-G1	18,330	165	B4-U0-G1	
	LC/RC		14,920	134	B2-U0-G4	14,954	135	B2-U0-G4	

## V-Locity Small (VALS) Outdoor LED Area Light

Type : \_\_\_\_\_

Have questions? Call us at (800) 436-7800

### PERFORMANCE

[Back to Quick Links](#)

Delivered Lumens (70 CRI)									
Lumen Package	Distribution	CRI	4000K CCT			5000K CCT			Wattage
			Delivered Lumens	Efficacy	BUG Rating	Delivered Lumens	Efficacy	BUG Rating	
21L	2	70	19,582	151	B3-U0-G5	19,625	151	B3-U0-G5	130
	3M		18,674	144	B2-U0-G4	18,716	144	B2-U0-G4	
	3W		17,699	136	B3-U0-G5	17,738	136	B3-U0-G5	
	4M		18,992	146	B1-U0-G4	19,034	146	B1-U0-G4	
	4F		18,053	139	B2-U0-G5	18,093	139	B2-U0-G5	
	4W		16,538	127	B2-U0-G5	16,575	127	B2-U0-G5	
	FTM		18,210	140	B1-U0-G3	18,251	140	B1-U0-G3	
	5QN		20,712	159	B4-U0-G2	20,758	159	B4-U0-G2	
	5QM		21,111	162	B5-U0-G3	21,158	162	B5-U0-G3	
	5Q		20,342	156	B5-U0-G3	20,388	156	B5-U0-G3	
	5QW		19,759	152	B5-U0-G3	19,804	152	B5-U0-G3	
	AM		20,308	156	B1-U0-G2	20,354	156	B1-U0-G2	
	WF		20,960	161	B4-U0-G1	21,007	161	B4-U0-G1	
	LC/RC		17,100	132	B3-U0-G5	17,138	132	B3-U0-G5	
24L	2	70	22,609	146	B3-U0-G5	22,660	146	B3-U0-G5	155
	3M		21,561	139	B2-U0-G4	21,610	139	B2-U0-G4	
	3W		20,435	132	B3-U0-G5	20,480	132	B3-U0-G5	
	4M		21,928	141	B1-U0-G5	21,977	142	B1-U0-G5	
	4F		20,844	134	B2-U0-G5	20,890	135	B2-U0-G5	
	4W		19,095	123	B2-U0-G5	19,138	123	B2-U0-G5	
	FTM		21,026	136	B1-U0-G4	21,073	136	B1-U0-G4	
	5QN		23,914	154	B4-U0-G2	23,967	154	B4-U0-G2	
	5QM		24,375	157	B5-U0-G3	24,430	157	B5-U0-G3	
	5Q		23,487	152	B5-U0-G3	23,540	152	B5-U0-G3	
	5QW		22,815	147	B5-U0-G3	22,865	147	B5-U0-G3	
	AM		23,448	151	B1-U0-G2	23,501	151	B1-U0-G2	
	WF		24,201	156	B4-U0-G1	24,255	156	B4-U0-G1	
	LC/RC		19,744	127	B3-U0-G5	19,788	127	B3-U0-G5	
27L	2	70	25,235	142	B3-U0-G5	25,292	142	B3-U0-G5	178
	3M		24,066	135	B2-U0-G5	24,120	136	B2-U0-G5	
	3W		22,808	128	B3-U0-G5	22,859	129	B3-U0-G5	
	4M		24,475	137	B2-U0-G5	24,530	138	B2-U0-G5	
	4F		23,265	131	B2-U0-G5	23,316	131	B2-U0-G5	
	4W		21,313	120	B2-U0-G5	21,361	121	B2-U0-G5	
	FTM		23,468	132	B2-U0-G4	23,521	133	B2-U0-G4	
	5QN		26,691	150	B4-U0-G2	26,751	151	B4-U0-G2	
	5QM		27,206	153	B5-U0-G3	27,267	153	B5-U0-G3	
	5Q		26,215	147	B5-U0-G3	26,274	148	B5-U0-G3	
	5QW		25,464	143	B5-U0-G4	25,521	144	B5-U0-G4	
	AM		26,172	147	B1-U0-G3	26,231	148	B1-U0-G3	
	WF		27,012	152	B5-U0-G1	27,073	152	B4-U0-G1	
	LC/RC		22,037	124	B3-U0-G5	22,086	125	B3-U0-G5	





Date: 10/17/2024

Project:  
MARTIN STREET BUS  
TERMINAL

Description:  
VALS-15L-4M-UNV-50K7-BLK-SA-IS

Line Item#: 3  
Go to Bill of Materials

Type: B  
Powered by 4submittal.com

# V-Locity Small (VALS) Outdoor LED Area Light

Type : \_\_\_\_\_

Have questions? Call us at (800) 436-7800

## PERFORMANCE

[Back to Quick Links](#)

Delivered Lumens (80 CRI)												
Lumen Package	Distribution	CRI	2700K CCT / 80 CRI			3000K CCT / 80 CRI			3500K CCT / 80 CRI			Wattage
			Delivered Lumens	Efficacy	BUG Rating	Delivered Lumens	Efficacy	BUG Rating	Delivered Lumens	Efficacy	BUG Rating	
6L	2	80	4,843	133	B1-U0-G2	4,985	137	B1-U0-G2	5,009	138	B1-U0-G2	36
	3M		4,619	127	B1-U0-G2	4,754	131	B1-U0-G2	4,777	131	B1-U0-G2	
	3W		4,377	120	B1-U0-G3	4,505	124	B1-U0-G3	4,527	125	B1-U0-G3	
	4M		4,697	129	B0-U0-G2	4,835	133	B0-U0-G2	4,858	134	B0-U0-G2	
	4F		4,465	123	B1-U0-G3	4,595	126	B1-U0-G3	4,618	127	B1-U0-G3	
	4W		4,090	113	B1-U0-G2	4,210	116	B1-U0-G2	4,230	116	B1-U0-G2	
	FTM		4,504	124	B0-U0-G2	4,636	128	B0-U0-G2	4,658	128	B0-U0-G2	
	5QN		5,122	141	B2-U0-G0	5,272	145	B2-U0-G1	5,298	146	B2-U0-G0	
	5QM		5,221	144	B3-U0-G1	5,374	148	B3-U0-G1	5,400	149	B3-U0-G1	
	5Q		5,031	138	B3-U0-G1	5,178	143	B3-U0-G1	5,203	143	B3-U0-G1	
	5QW		4,887	134	B3-U0-G1	5,030	138	B3-U0-G1	5,054	139	B3-U0-G1	
	AM		5,023	138	B0-U0-G1	5,170	142	B0-U0-G1	5,195	143	B0-U0-G1	
	WF		5,184	143	B2-U0-G0	5,336	147	B2-U0-G0	5,362	148	B2-U0-G0	
LC/RC	4,229	116	B1-U0-G2	4,353	120	B1-U0-G2	4,374	120	B1-U0-G2			
9L	2	80	7,280	135	B1-U0-G3	7,493	139	B1-U0-G3	7,529	139	B1-U0-G3	54
	3M		6,943	129	B1-U0-G2	7,146	132	B1-U0-G2	7,181	133	B1-U0-G2	
	3W		6,580	122	B1-U0-G3	6,772	125	B1-U0-G3	6,805	126	B1-U0-G3	
	4M		7,061	131	B1-U0-G3	7,267	135	B1-U0-G3	7,303	135	B1-U0-G3	
	4F		6,711	124	B1-U0-G3	6,908	128	B1-U0-G3	6,941	129	B1-U0-G3	
	4W		6,148	114	B1-U0-G3	6,328	117	B1-U0-G3	6,359	118	B1-U0-G3	
	FTM		6,770	125	B1-U0-G2	6,968	129	B1-U0-G2	7,002	130	B1-U0-G2	
	5QN		7,700	143	B2-U0-G1	7,925	147	B3-U0-G1	7,964	148	B2-U0-G1	
	5QM		7,848	145	B3-U0-G2	8,078	150	B3-U0-G2	8,117	150	B3-U0-G2	
	5Q		7,562	140	B3-U0-G2	7,784	144	B3-U0-G2	7,822	145	B3-U0-G2	
	5QW		7,346	136	B3-U0-G2	7,561	140	B3-U0-G2	7,598	141	B3-U0-G2	
	AM		7,550	140	B0-U0-G1	7,771	144	B0-U0-G1	7,809	145	B0-U0-G1	
	WF		7,792	144	B3-U0-G0	8,020	149	B3-U0-G0	8,060	149	B3-U0-G0	
LC/RC	6,357	118	B1-U0-G3	6,543	121	B1-U0-G3	6,575	122	B1-U0-G3			
12L	2	80	9,906	134	B2-U0-G3	10,196	138	B2-U0-G3	10,245	139	B2-U0-G3	74
	3M		9,447	128	B1-U0-G3	9,723	132	B1-U0-G3	9,771	132	B1-U0-G3	
	3W		8,953	121	B2-U0-G3	9,215	125	B2-U0-G4	9,260	125	B2-U0-G3	
	4M		9,608	130	B1-U0-G3	9,889	134	B1-U0-G3	9,937	134	B1-U0-G3	
	4F		9,132	124	B1-U0-G4	9,399	127	B1-U0-G4	9,445	128	B1-U0-G4	
	4W		8,366	113	B1-U0-G3	8,611	117	B1-U0-G3	8,653	117	B1-U0-G3	
	FTM		9,212	125	B1-U0-G3	9,482	128	B1-U0-G3	9,528	129	B1-U0-G3	
	5QN		10,477	142	B3-U0-G1	10,784	146	B3-U0-G1	10,837	147	B3-U0-G1	
	5QM		10,680	145	B4-U0-G2	10,992	149	B4-U0-G2	11,046	149	B4-U0-G2	
	5Q		10,291	139	B4-U0-G2	10,592	143	B4-U0-G2	10,643	144	B4-U0-G2	
	5QW		9,996	135	B4-U0-G2	10,288	139	B4-U0-G2	10,338	140	B4-U0-G2	
	AM		10,274	139	B1-U0-G2	10,574	143	B1-U0-G2	10,626	144	B1-U0-G2	
	WF		10,603	144	B3-U0-G0	10,914	148	B3-U0-G0	10,967	148	B3-U0-G0	
LC/RC	8,651	117	B2-U0-G3	8,904	121	B2-U0-G3	8,947	121	B2-U0-G3			





Date: 10/17/2024

Project:  
MARTIN STREET BUS  
TERMINAL

Description:  
VALS-15L-4M-UNV-50K7-BLK-SA-IS

Line Item#: 3  
Go to Bill of Materials

Type: B  
Powered by 4submittal.com

# V-Locity Small (VALS) Outdoor LED Area Light

Type : \_\_\_\_\_

Have questions? Call us at (800) 436-7800

## PERFORMANCE

[Back to Quick Links](#)

Delivered Lumens (80 CRI)									
Lumen Package	Distribution	CRI	4000K CCT / 80 CRI			5000K CCT / 80 CRI			Wattage
			Delivered Lumens	Efficacy	BUG Rating	Delivered Lumens	Efficacy	BUG Rating	
6L	2	80	5,219	144	B1-U0-G2	5,330	147	B1-U0-G2	36
	3M		4,978	137	B1-U0-G2	5,083	140	B1-U0-G2	
	3W		4,717	130	B1-U0-G3	4,818	133	B1-U0-G3	
	4M		5,062	139	B0-U0-G2	5,170	142	B0-U0-G2	
	4F		4,812	132	B1-U0-G3	4,914	135	B1-U0-G3	
	4W		4,408	121	B1-U0-G2	4,502	124	B1-U0-G2	
	FTM		4,854	134	B0-U0-G2	4,957	136	B0-U0-G2	
	5QN		5,521	152	B2-U0-G1	5,638	155	B2-U0-G1	
	5QM		5,627	155	B3-U0-G1	5,747	158	B3-U0-G1	
	5Q		5,422	149	B3-U0-G1	5,537	152	B3-U0-G1	
	5QW		5,267	145	B3-U0-G1	5,379	148	B3-U0-G1	
	AM		5,413	149	B0-U0-G1	5,528	152	B0-U0-G1	
	WF		5,587	154	B2-U0-G0	5,706	157	B2-U0-G0	
	LC/RC		4,558	125	B1-U0-G2	4,655	128	B1-U0-G2	
9L	2	80	7,846	145	B1-U0-G3	8,012	148	B1-U0-G3	54
	3M		7,482	139	B1-U0-G3	7,641	142	B1-U0-G3	
	3W		7,091	131	B1-U0-G3	7,242	134	B1-U0-G3	
	4M		7,609	141	B1-U0-G3	7,771	144	B1-U0-G3	
	4F		7,233	134	B1-U0-G3	7,387	137	B1-U0-G3	
	4W		6,626	123	B1-U0-G3	6,767	125	B1-U0-G3	
	FTM		7,296	135	B1-U0-G2	7,451	138	B1-U0-G2	
	5QN		8,298	154	B3-U0-G1	8,475	157	B3-U0-G1	
	5QM		8,458	157	B3-U0-G2	8,638	160	B3-U0-G2	
	5Q		8,150	151	B3-U0-G2	8,324	154	B3-U0-G2	
	5QW		7,917	147	B3-U0-G2	8,085	150	B3-U0-G2	
	AM		8,137	151	B0-U0-G1	8,310	154	B0-U0-G1	
	WF		8,398	156	B3-U0-G0	8,577	159	B3-U0-G0	
	LC/RC		6,851	127	B1-U0-G3	6,997	130	B1-U0-G3	
12L	2	80	10,676	144	B2-U0-G3	10,903	148	B2-U0-G3	74
	3M		10,181	138	B1-U0-G3	10,398	141	B1-U0-G3	
	3W		9,649	131	B2-U0-G4	9,854	133	B2-U0-G4	
	4M		10,354	140	B1-U0-G3	10,574	143	B1-U0-G3	
	4F		9,842	133	B1-U0-G4	10,051	136	B1-U0-G4	
	4W		9,017	122	B1-U0-G3	9,208	125	B1-U0-G3	
	FTM		9,928	134	B1-U0-G3	10,139	137	B1-U0-G3	
	5QN		11,292	153	B3-U0-G1	11,532	156	B3-U0-G1	
	5QM		11,510	156	B4-U0-G2	11,754	159	B4-U0-G2	
	5Q		11,090	150	B4-U0-G2	11,326	153	B4-U0-G2	
	5QW		10,773	146	B4-U0-G2	11,002	149	B4-U0-G2	
	AM		11,072	150	B1-U0-G2	11,308	153	B1-U0-G2	
	WF		11,428	155	B3-U0-G0	11,671	158	B3-U0-G0	
	LC/RC		9,323	126	B2-U0-G3	9,521	129	B2-U0-G3	

## V-Locity Small (VALS) Outdoor LED Area Light

Type : \_\_\_\_\_

Have questions? Call us at (800) 436-7800

### PERFORMANCE

[Back to Quick Links](#)

Delivered Lumens (80 CRI)												
Lumen Package	Distribution	CRI	2700K CCT / 80 CRI			3000K CCT / 80 CRI			3500K CCT / 80 CRI			Wattage
			Delivered Lumens	Efficacy	BUG Rating	Delivered Lumens	Efficacy	BUG Rating	Delivered Lumens	Efficacy	BUG Rating	
15L	2	80	12,004	132	B2-U0-G3	12,355	136	B2-U0-G3	12,415	137	B2-U0-G3	91
	3M		11,448	126	B1-U0-G3	11,783	130	B1-U0-G3	11,840	131	B1-U0-G3	
	3W		10,849	120	B2-U0-G4	11,167	123	B2-U0-G4	11,221	124	B2-U0-G4	
	4M		11,642	128	B1-U0-G3	11,983	132	B1-U0-G3	12,041	133	B1-U0-G3	
	4F		11,066	122	B1-U0-G4	11,390	126	B1-U0-G4	11,445	126	B1-U0-G4	
	4W		10,138	112	B1-U0-G3	10,435	115	B1-U0-G3	10,486	116	B1-U0-G3	
	FTM		11,163	123	B1-U0-G3	11,490	127	B1-U0-G3	11,546	127	B1-U0-G3	
	5QN		12,696	140	B3-U0-G1	13,068	144	B3-U0-G1	13,131	145	B3-U0-G1	
	5QM		12,941	143	B4-U0-G2	13,320	147	B4-U0-G2	13,385	148	B4-U0-G2	
	5Q		12,470	138	B4-U0-G2	12,835	142	B4-U0-G2	12,897	142	B4-U0-G2	
	5QW		12,113	134	B4-U0-G2	12,467	138	B4-U0-G2	12,528	138	B4-U0-G2	
	AM		12,449	137	B1-U0-G2	12,814	141	B1-U0-G2	12,876	142	B1-U0-G2	
	WF		12,849	142	B3-U0-G1	13,225	146	B3-U0-G1	13,289	147	B3-U0-G1	
	LC/RC		10,482	116	B2-U0-G3	10,789	119	B2-U0-G4	10,842	120	B2-U0-G3	
18L	2	80	14,526	131	B2-U0-G4	14,952	135	B2-U0-G4	15,024	135	B2-U0-G4	111
	3M		13,853	125	B1-U0-G3	14,259	129	B1-U0-G3	14,328	129	B1-U0-G3	
	3W		13,129	118	B2-U0-G4	13,514	122	B2-U0-G5	13,579	122	B2-U0-G4	
	4M		14,089	127	B1-U0-G3	14,501	131	B1-U0-G3	14,572	131	B1-U0-G3	
	4F		13,392	121	B1-U0-G5	13,784	124	B2-U0-G5	13,851	125	B1-U0-G5	
	4W		12,269	111	B1-U0-G4	12,628	114	B1-U0-G4	12,689	114	B1-U0-G4	
	FTM		13,509	122	B1-U0-G3	13,905	125	B1-U0-G3	13,972	126	B1-U0-G3	
	5QN		15,365	138	B3-U0-G2	15,814	143	B3-U0-G2	15,891	143	B3-U0-G2	
	5QM		15,661	141	B4-U0-G2	16,119	145	B4-U0-G2	16,198	146	B4-U0-G2	
	5Q		15,091	136	B4-U0-G2	15,532	140	B4-U0-G2	15,608	141	B4-U0-G2	
	5QW		14,658	132	B4-U0-G2	15,087	136	B4-U0-G2	15,161	137	B4-U0-G2	
	AM		15,066	136	B1-U0-G2	15,507	140	B1-U0-G2	15,582	140	B1-U0-G2	
	WF		15,549	140	B3-U0-G1	16,004	144	B3-U0-G1	16,082	145	B3-U0-G1	
	LC/RC		12,685	114	B2-U0-G4	13,057	118	B2-U0-G4	13,120	118	B2-U0-G4	
21L	2	80	16,649	128	B2-U0-G4	17,136	131	B2-U0-G4	17,219	132	B2-U0-G4	130
	3M		15,877	122	B2-U0-G3	16,342	125	B2-U0-G4	16,422	126	B2-U0-G3	
	3W		15,047	115	B2-U0-G5	15,488	119	B2-U0-G5	15,563	119	B2-U0-G5	
	4M		16,147	124	B1-U0-G4	16,620	128	B1-U0-G4	16,701	128	B1-U0-G4	
	4F		15,348	118	B2-U0-G5	15,797	121	B2-U0-G5	15,874	122	B2-U0-G5	
	4W		14,061	108	B2-U0-G4	14,473	111	B2-U0-G4	14,543	112	B2-U0-G4	
	FTM		15,483	119	B1-U0-G3	15,936	122	B1-U0-G3	16,014	123	B1-U0-G3	
	5QN		17,609	135	B3-U0-G2	18,125	139	B3-U0-G2	18,213	140	B3-U0-G2	
	5QM		17,949	138	B4-U0-G2	18,474	142	B4-U0-G2	18,564	142	B4-U0-G2	
	5Q		17,295	133	B4-U0-G2	17,801	137	B4-U0-G2	17,888	137	B4-U0-G2	
	5QW		16,800	129	B5-U0-G3	17,291	133	B5-U0-G3	17,376	133	B5-U0-G3	
	AM		17,267	133	B1-U0-G2	17,772	136	B1-U0-G2	17,859	137	B1-U0-G2	
	WF		17,821	137	B4-U0-G1	18,343	141	B4-U0-G1	18,432	141	B4-U0-G1	
	LC/RC		14,539	112	B2-U0-G4	14,964	115	B2-U0-G4	15,037	115	B2-U0-G4	





Date: 10/17/2024

Project:  
MARTIN STREET BUS  
TERMINAL

Description:  
VALS-15L-4M-UNV-50K7-BLK-SA-IS

Line Item#: 3  
Go to Bill of Materials

Type: B  
Powered by 4submittal.com

# V-Locity Small (VALS) Outdoor LED Area Light

Type : \_\_\_\_\_

Have questions? Call us at (800) 436-7800

## PERFORMANCE

[Back to Quick Links](#)

Delivered Lumens (80 CRI)									
Lumen Package	Distribution	CRI	4000K CCT / 80 CRI			5000K CCT / 80 CRI			Wattage
			Delivered Lumens	Efficacy	BUG Rating	Delivered Lumens	Efficacy	BUG Rating	
15L	2	80	12,937	143	B2-U0-G4	13,212	146	B2-U0-G4	91
	3M		12,337	136	B1-U0-G3	12,600	139	B1-U0-G3	
	3W		11,692	129	B2-U0-G4	11,941	132	B2-U0-G4	
	4M		12,547	138	B1-U0-G3	12,814	141	B1-U0-G3	
	4F		11,926	132	B1-U0-G4	12,180	134	B1-U0-G4	
	4W		10,926	121	B1-U0-G4	11,158	123	B1-U0-G4	
	FTM		12,031	133	B1-U0-G3	12,287	136	B1-U0-G3	
	5QN		13,683	151	B3-U0-G1	13,974	154	B3-U0-G1	
	5QM		13,947	154	B4-U0-G2	14,244	157	B4-U0-G2	
	5Q		13,439	148	B4-U0-G2	13,725	151	B4-U0-G2	
	5QW		13,054	144	B4-U0-G2	13,332	147	B4-U0-G2	
	AM		13,417	148	B1-U0-G2	13,702	151	B1-U0-G2	
	WF		13,848	153	B3-U0-G1	14,142	156	B3-U0-G1	
	LC/RC		11,297	125	B2-U0-G4	11,537	127	B2-U0-G4	
18L	2	80	15,656	141	B2-U0-G4	15,988	144	B2-U0-G4	111
	3M		14,930	135	B1-U0-G3	15,248	137	B1-U0-G3	
	3W		14,150	128	B2-U0-G5	14,451	130	B2-U0-G5	
	4M		15,184	137	B1-U0-G4	15,507	140	B1-U0-G4	
	4F		14,433	130	B2-U0-G5	14,740	133	B2-U0-G5	
	4W		13,222	119	B1-U0-G4	13,503	122	B1-U0-G4	
	FTM		14,559	131	B1-U0-G3	14,869	134	B1-U0-G3	
	5QN		16,559	149	B3-U0-G2	16,911	152	B3-U0-G2	
	5QM		16,878	152	B4-U0-G2	17,237	155	B4-U0-G2	
	5Q		16,264	147	B4-U0-G2	16,609	150	B4-U0-G2	
	5QW		15,798	142	B4-U0-G3	16,133	145	B4-U0-G3	
	AM		16,237	146	B1-U0-G2	16,582	149	B1-U0-G2	
	WF		16,758	151	B4-U0-G1	17,114	154	B4-U0-G1	
	LC/RC		13,672	123	B2-U0-G4	13,962	126	B2-U0-G4	
21L	2	80	17,943	138	B3-U0-G4	18,324	141	B3-U0-G4	130
	3M		17,112	131	B2-U0-G4	17,475	134	B2-U0-G4	
	3W		16,217	124	B2-U0-G5	16,562	127	B2-U0-G5	
	4M		17,402	134	B1-U0-G4	17,772	136	B1-U0-G4	
	4F		16,541	127	B2-U0-G5	16,893	130	B2-U0-G5	
	4W		15,154	116	B2-U0-G4	15,476	119	B2-U0-G4	
	FTM		16,686	128	B1-U0-G3	17,041	131	B1-U0-G3	
	5QN		18,978	146	B3-U0-G2	19,381	149	B3-U0-G2	
	5QM		19,344	148	B4-U0-G2	19,755	152	B4-U0-G2	
	5Q		18,639	143	B4-U0-G2	19,036	146	B4-U0-G2	
	5QW		18,106	139	B5-U0-G3	18,490	142	B5-U0-G3	
	AM		18,609	143	B1-U0-G2	19,005	146	B1-U0-G2	
	WF		19,206	147	B4-U0-G1	19,615	151	B4-U0-G1	
	LC/RC		15,669	120	B2-U0-G4	16,002	123	B2-U0-G4	



Date: 10/17/2024

Project:  
MARTIN STREET BUS  
TERMINAL

Description:  
VALS-15L-4M-UNV-50K7-BLK-SA-IS

Line Item#: 3  
Go to Bill of Materials

Type: B  
Powered by 4submittal.com

# V-Locity Small (VALS) Outdoor LED Area Light

Type : \_\_\_\_\_

Have questions? Call us at (800) 436-7800

## PERFORMANCE

[Back to Quick Links](#)

Delivered Lumens (80 CRI)												
Lumen Package	Distribution	CRI	2700K CCT / 80 CRI			3000K CCT / 80 CRI			3500K CCT / 80 CRI			Wattage
			Delivered Lumens	Efficacy	BUG Rating	Delivered Lumens	Efficacy	BUG Rating	Delivered Lumens	Efficacy	BUG Rating	
24L	2	80	19,223	124	B3-U0-G5	19,785	127	B3-U0-G5	19,882	128	B3-U0-G5	155
	3M		18,332	118	B2-U0-G4	18,869	122	B2-U0-G4	18,961	122	B2-U0-G4	
	3W		17,374	112	B3-U0-G5	17,882	115	B3-U0-G5	17,970	116	B3-U0-G5	
	4M		18,644	120	B1-U0-G4	19,189	124	B1-U0-G4	19,283	124	B1-U0-G4	
	4F		17,721	114	B2-U0-G5	18,240	117	B2-U0-G5	18,329	118	B2-U0-G5	
	4W		16,235	105	B2-U0-G5	16,710	108	B2-U0-G5	16,792	108	B2-U0-G5	
	FTM		17,877	115	B1-U0-G3	18,400	119	B1-U0-G3	18,489	119	B1-U0-G3	
	50N		20,332	131	B4-U0-G2	20,927	135	B4-U0-G2	21,029	135	B4-U0-G2	
	50M		20,724	133	B4-U0-G2	21,331	137	B5-U0-G3	21,435	138	B5-U0-G3	
	50		19,969	129	B5-U0-G3	20,554	132	B5-U0-G3	20,654	133	B5-U0-G3	
	50W		19,397	125	B5-U0-G3	19,965	129	B5-U0-G3	20,062	129	B5-U0-G3	
	AM		19,936	128	B1-U0-G2	20,520	132	B1-U0-G2	20,620	133	B1-U0-G2	
	WF		20,576	133	B4-U0-G1	21,178	136	B4-U0-G1	21,282	137	B4-U0-G1	
LC/RC	16,787	108	B2-U0-G5	17,278	111	B3-U0-G5	17,362	112	B3-U0-G5			
27L	2	80	21,455	121	B3-U0-G5	22,083	124	B3-U0-G5	22,191	125	B3-U0-G5	178
	3M		20,461	116	B2-U0-G4	21,060	119	B2-U0-G4	21,163	120	B2-U0-G4	
	3W		19,392	110	B3-U0-G5	19,959	113	B3-U0-G5	20,057	113	B3-U0-G5	
	4M		20,809	117	B1-U0-G4	21,418	121	B1-U0-G4	21,522	121	B1-U0-G4	
	4F		19,779	111	B2-U0-G5	20,358	115	B2-U0-G5	20,458	115	B2-U0-G5	
	4W		18,121	103	B2-U0-G5	18,651	106	B2-U0-G5	18,742	106	B2-U0-G5	
	FTM		19,953	113	B1-U0-G4	20,537	116	B1-U0-G4	20,637	117	B1-U0-G4	
	50N		22,693	128	B4-U0-G2	23,357	132	B4-U0-G2	23,471	133	B4-U0-G2	
	50M		23,131	130	B5-U0-G3	23,808	134	B5-U0-G3	23,924	135	B5-U0-G3	
	50		22,288	126	B5-U0-G3	22,941	130	B5-U0-G3	23,053	130	B5-U0-G3	
	50W		21,650	122	B5-U0-G3	22,284	126	B5-U0-G3	22,392	127	B5-U0-G3	
	AM		22,252	126	B1-U0-G2	22,903	130	B1-U0-G2	23,015	130	B1-U0-G2	
	WF		22,966	129	B4-U0-G1	23,638	133	B4-U0-G1	23,753	134	B4-U0-G1	
LC/RC	18,736	106	B3-U0-G5	19,285	109	B3-U0-G5	19,379	110	B3-U0-G5			



Date: 10/17/2024

Project:  
MARTIN STREET BUS  
TERMINAL

Description:  
VALS-15L-4M-UNV-50K7-BLK-SA-IS

Line Item#: 3  
Go to Bill of Materials

Type: B  
Powered by 4submittal.com

# V-Locity Small (VALS) Outdoor LED Area Light

Type : \_\_\_\_\_

Have questions? Call us at (800) 436-7800

## PERFORMANCE

[Back to Quick Links](#)

Delivered Lumens (80 CRI)									
Lumen Package	Distribution	CRI	4000K CCT / 80 CRI			5000K CCT / 80 CRI			Wattage
			Delivered Lumens	Efficacy	BUG Rating	Delivered Lumens	Efficacy	BUG Rating	
24L	2	80	20,717	133	B3-U0-G5	21,157	136	B3-U0-G5	155
	3M		19,757	127	B2-U0-G4	20,177	130	B2-U0-G4	
	3W		18,724	121	B3-U0-G5	19,122	123	B3-U0-G5	
	4M		20,093	129	B1-U0-G4	20,520	132	B1-U0-G4	
	4F		19,099	123	B2-U0-G5	19,505	126	B2-U0-G5	
	4W		17,497	113	B2-U0-G5	17,869	115	B2-U0-G5	
	FTM		19,266	124	B1-U0-G3	19,676	127	B1-U0-G3	
	50N		21,912	141	B4-U0-G2	22,378	144	B4-U0-G2	
	50M		22,335	144	B5-U0-G3	22,810	147	B5-U0-G3	
	5Q		21,521	139	B5-U0-G3	21,979	142	B5-U0-G3	
	50W		20,905	135	B5-U0-G3	21,349	138	B5-U0-G3	
	AM		21,486	138	B1-U0-G2	21,943	141	B1-U0-G2	
	WF		22,176	143	B4-U0-G1	22,647	146	B4-U0-G1	
LC/RC	18,091	117	B3-U0-G5	18,476	119	B3-U0-G5			
27L	2	80	23,123	130	B3-U0-G5	23,615	133	B3-U0-G5	178
	3M		22,052	125	B2-U0-G4	22,521	127	B2-U0-G4	
	3W		20,899	118	B3-U0-G5	21,343	121	B3-U0-G5	
	4M		22,427	126	B1-U0-G5	22,903	129	B1-U0-G5	
	4F		21,317	120	B2-U0-G5	21,770	123	B2-U0-G5	
	4W		19,529	111	B2-U0-G5	19,944	113	B2-U0-G5	
	FTM		21,504	122	B1-U0-G4	21,961	124	B1-U0-G4	
	50N		24,457	138	B4-U0-G2	24,977	141	B4-U0-G2	
	50M		24,929	140	B5-U0-G3	25,459	143	B5-U0-G3	
	5Q		24,021	136	B5-U0-G3	24,532	138	B5-U0-G3	
	50W		23,333	132	B5-U0-G3	23,829	135	B5-U0-G3	
	AM		23,982	136	B1-U0-G2	24,491	138	B1-U0-G2	
	WF		24,751	139	B4-U0-G1	25,277	142	B4-U0-G1	
LC/RC	20,193	115	B3-U0-G5	20,622	117	B3-U0-G5			

Electrical Data (Amps) <sup>1</sup>							
Lumen Package	120V	208V	240V	277V	347V	480V	Wattage
6L	0.30	0.17	0.15	0.13	0.10	0.08	36
9L	0.45	0.26	0.23	0.19	0.16	0.11	54
12L	0.62	0.36	0.31	0.27	0.21	0.15	74
15L	0.76	0.44	0.38	0.33	0.26	0.19	91
18L	0.93	0.53	0.46	0.40	0.32	0.23	111
21L	1.08	0.63	0.54	0.47	0.37	0.27	130
24L	1.29	0.75	0.65	0.56	0.45	0.32	155
27L	1.46	0.84	0.73	0.63	0.50	0.36	175

Recommended Lumen Maintenance					
Ambient Temp	Lumen Multiplier				
	0 hrs. <sup>2</sup>	25K hrs. <sup>2</sup>	50K hrs. <sup>2</sup>	75K hrs. <sup>3</sup>	100K hrs. <sup>3</sup>
50 C	100%	94%	88%	83%	78%

1 Lumen maintenance values at 40C are calculated per TM-21 based on LM-80 data and in-situ testing.  
 2 In accordance with IESNA TM-21-11, Projected Values represent interpolated value based on time durations that are within six times the IESNA LM-80-08 total test duration for the device under testing.  
 3 In accordance with IESNA TM-21-11, Calculated Values represent time durations that exceed six times the IESNA LM-80-08 total test duration for the device under testing.

## V-Locity Small (VALS) Outdoor LED Area Light

Type: \_\_\_\_\_

Have questions? Call us at (800) 436-7800

### PHOTOMETRICS

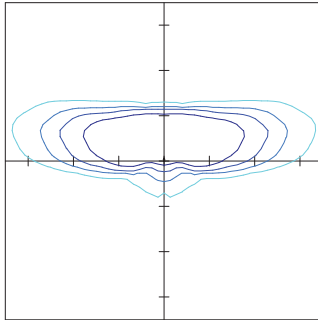
[Back to Quick Links](#)

Luminaire photometry has been conducted by a NVLAP accredited testing laboratory in accordance with IESNA LM-79-08. As specified by IESNA LM-79-08 the entire luminaire is tested as the source resulting in a luminaire efficiency of 100%.

See the individual product page on <https://www.lsicorp.com/> for detailed photometric data.

#### VALS 18L 2 40K8

V-LOCITY Area Small, 18,000lm,  
Type 2 Distribution

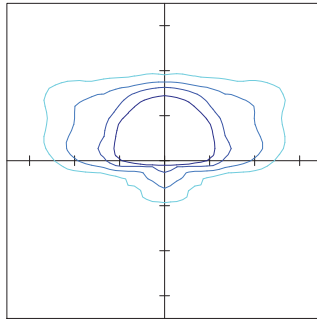


20' Mounting Height / 30' Grid Spacing  
 2 FC 
  1 FC 
  0.5 FC 
  0.2 FC

Shielding	No Shield	W/Shield
IES Type	III Medium	III Medium
BUG Rating	B2-U0-G4	B1-U0-G3
Street Side Lumen %	87.3%	96.1%
House Side Lumen %	12.7%	3.9%
Uplight %	0.0%	0.0%

#### VALS 18L 3M 40K8

V-LOCITY Area Small, 18,000lm, Type 3  
Medium Distribution

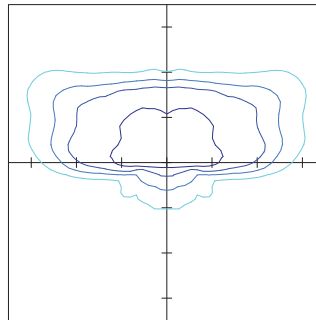


20' Mounting Height / 30' Grid Spacing  
 2 FC 
  1 FC 
  0.5 FC 
  0.2 FC

Shielding	No Shield	W/Shield
IES Type	III Very Short	III Very Short
BUG Rating	B1-U0-G3	B1-U0-G3
Street Side Lumen %	93.4%	97.2%
House Side Lumen %	8.6%	2.8%
Uplight %	0.0%	0.0%

#### VALS 18L 3W 40K8

V-LOCITY Area Small, 18,000lm, Type 3 Wide  
Distribution

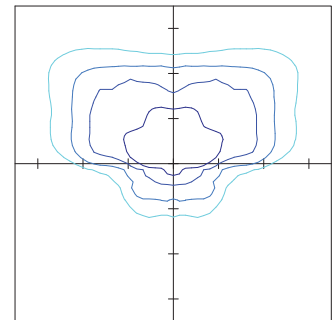


20' Mounting Height / 30' Grid Spacing  
 2 FC 
  1 FC 
  0.5 FC 
  0.2 FC

Shielding	No Shield	W/Shield
IES Type	IV Medium	IV Medium
BUG Rating	B2-U0-G5	B1-U0-G4
Street Side Lumen %	86.9%	94.0%
House Side Lumen %	13.1%	6.0%
Uplight %	0.0%	0.0%

#### VALS 18L 4W 40K8

V-LOCITY Area Small, 18,000lm, Type 4  
Wide Distribution

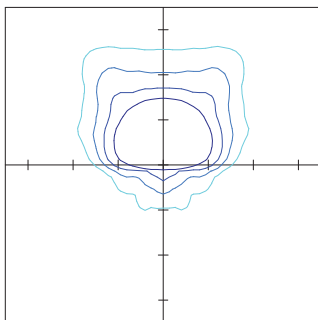


20' Mounting Height / 30' Grid Spacing  
 2 FC 
  1 FC 
  0.5 FC 
  0.2 FC

Shielding	No Shield	W/Shield
IES Type	IV Medium	IV Medium
BUG Rating	B1-U0-G4	B0-U0-G3
Street Side Lumen %	89.9%	94.0%
House Side Lumen %	10.1%	3.5%
Uplight %	0.0%	0.0%

#### VALS 18L 4M 40K8

V-LOCITY Area Small, 18,000lm, Type 4  
Medium Distribution

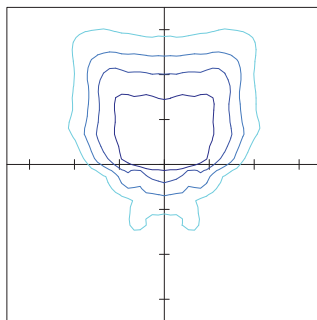


20' Mounting Height / 30' Grid Spacing  
 2 FC 
  1 FC 
  0.5 FC 
  0.2 FC

Shielding	No Shield	W/Shield
IES Type	IV Very Short	III Very Short
BUG Rating	B1-U0-G4	B0-U0-G2
Street Side Lumen %	92.9%	99.0%
House Side Lumen %	7.1%	1.0%
Uplight %	0.0%	0.0%

#### VALS 18L 4F 40K8

V-LOCITY Area Small, 18,000lm, Type 4  
Forward Distribution

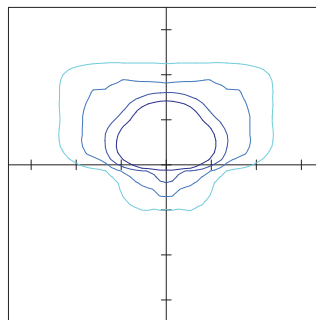


20' Mounting Height / 30' Grid Spacing  
 2 FC 
  1 FC 
  0.5 FC 
  0.2 FC

Shielding	No Shield	W/Shield
IES Type	IV Short	IV Short
BUG Rating	B2-U0-G5	B0-U0-G3
Street Side Lumen %	89.7%	98.3%
House Side Lumen %	10.3%	1.7%
Uplight %	0.0%	0.0%

#### VALS 18L FTM 40K8

V-LOCITY Area Small, 18,000lm, Forward  
Throw Medium Distribution

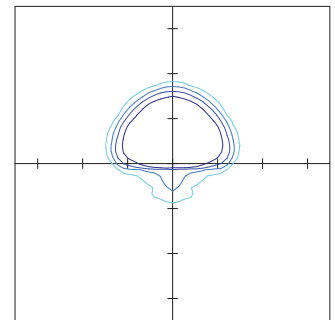


20' Mounting Height / 30' Grid Spacing  
 2 FC 
  1 FC 
  0.5 FC 
  0.2 FC

Shielding	No Shield	W/Shield
IES Type	III Very Short	III Very Short
BUG Rating	B1-U0-G3	B0-U0-G3
Street Side Lumen %	93.0%	98.4%
House Side Lumen %	7.0%	1.6%
Uplight %	0.0%	0.0%

#### VALS 18L AM 40K8

V-LOCITY Area Small, 18,000lm, Automotive  
Merchandise Distribution



20' Mounting Height / 30' Grid Spacing  
 2 FC 
  1 FC 
  0.5 FC 
  0.2 FC

Shielding	No Shield	W/Shield
IES Type	III Very Short	III Very Short
BUG Rating	B1-U0-G2	B0-U0-G2
Street Side Lumen %	95.3%	99.3%
House Side Lumen %	4.7%	0.7%
Uplight %	0.0%	0.0%

## V-Locity Small (VALS) Outdoor LED Area Light

Type : \_\_\_\_\_

Have questions? Call us at (800) 436-7800

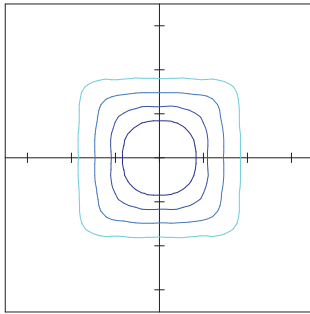
### PHOTOMETRICS (CONTINUED)

Luminaire photometry has been conducted by a NVLAP accredited testing laboratory in accordance with IESNA LM-79-08. As specified by IESNA LM-79-08 the entire luminaire is tested as the source resulting in a luminaire efficiency of 100%.

See the individual product page on <https://www.lsicorp.com/> for detailed photometric data.

#### VALS 18L 5QN 40K8

V-LOCITY Area Small, 18,000lm, Type 5  
Square Narrow Distribution

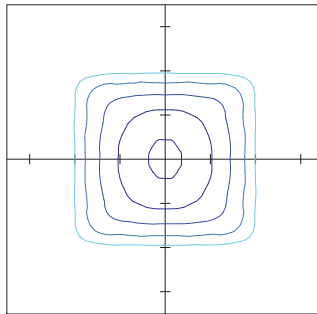


20' Mounting Height / 30' Grid Spacing  
 2 FC
  1 FC
  0.5 FC
  0.2 FC

IES Type	VS Very Short
BUG Rating	B3-U0-G2
0 - 60° Zonal Lumens	73.8%
60 - 90° Zonal Lumens	26.2%
Uplight %	0.0%

#### VALS 18L 5QM 40K8

V-LOCITY Area Small, 18,000lm, Type 5  
Square Medium Distribution

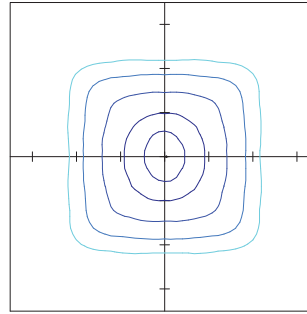


20' Mounting Height / 30' Grid Spacing  
 2 FC
  1 FC
  0.5 FC
  0.2 FC

IES Type	VS Short
BUG Rating	B4-U0-G2
0 - 60° Zonal Lumens	51.0%
60 - 90° Zonal Lumens	49.0%
Uplight %	0.0%

#### VALS 18L 5Q 40K8

V-LOCITY Area Small, 18,000lm, Type 5  
Square Distribution

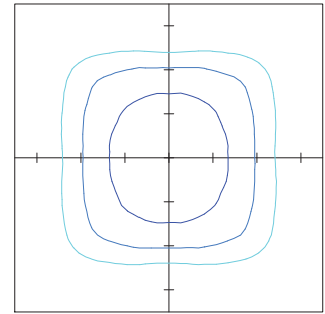


20' Mounting Height / 30' Grid Spacing  
 2 FC
  1 FC
  0.5 FC
  0.2 FC

IES Type	VS Medium
BUG Rating	B5-U0-G3
0 - 60° Zonal Lumens	41.8%
60 - 90° Zonal Lumens	58.2%
Uplight %	0.0%

#### VALS 18L 5QW 40K8

V-LOCITY Area Small, 18,000lm, Type 5  
Square Wide Distribution

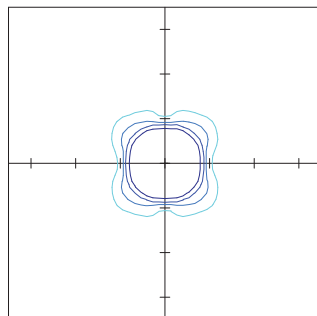


20' Mounting Height / 30' Grid Spacing  
 2 FC
  1 FC
  0.5 FC
  0.2 FC

IES Type	VS Medium
BUG Rating	B5-U0-G3
0 - 60° Zonal Lumens	33.7%
60 - 90° Zonal Lumens	66.3%
Uplight %	0.0%

#### VALS 18L WF 40K8

V-LOCITY Area Small, 18,000lm, Wide Flood  
Distribution

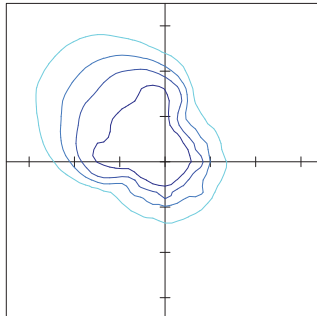


20' Mounting Height / 30' Grid Spacing  
 2 FC
  1 FC
  0.5 FC
  0.2 FC

NEMA Type	6x6
Max Candela	9,352
Max Candela Angle	-19.5H x -29V
Beam Angle	80.7 x 90.0°
Field Angle	109.9 x 117.7°

#### VALS 18L LC 40K8

V-LOCITY Area Small, 18,000lm, Left Corner  
Distribution

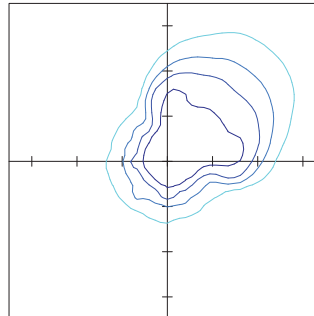


20' Mounting Height / 30' Grid Spacing  
 2 FC
  1 FC
  0.5 FC
  0.2 FC

Shielding	No Shield	W/Shield
IES Type	N/A	N/A
BUG Rating	B2-U0-G4	B1-U0-G3
Street Side Lumen %	75.9%	91.9%
House Side Lumen %	24.1%	8.1%
Uplight %	0.0%	0.0%

#### VALS 18L RC 40K8

V-LOCITY Area Small, 18,000lm, Right Corner  
Distribution



20' Mounting Height / 30' Grid Spacing  
 2 FC
  1 FC
  0.5 FC
  0.2 FC

Shielding	No Shield	W/Shield
IES Type	N/A	N/A
BUG Rating	B2-U0-G4	B1-U0-G3
Street Side Lumen %	75.9%	91.9%
House Side Lumen %	24.1%	8.1%
Uplight %	0.0%	0.0%



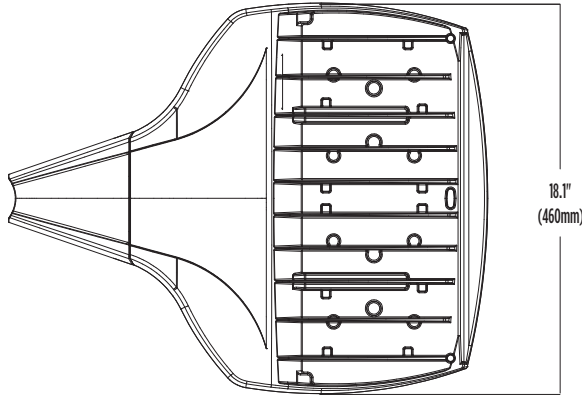
## V-Locity Small (VALS) Outdoor LED Area Light

Type : \_\_\_\_\_

Have questions? Call us at (800) 436-7800

### PRODUCT DIMENSIONS

[Back to Quick Links](#)



Luminaire EPA Chart - SA Side Arm

Tilt Degree	0°
Single	0.7
D180°	1.3
D90°	1.0
T90°	1.4
TN120°	1.5
Q90°	1.4

Luminaire EPA Chart - UA Universal Adjustable Arm

Tilt Degree	0°	15°	30°	45°	60°
Single	0.8	0.8	1.3	1.8	2.1
D180°	1.5	1.9	2.5	3.2	3.8
D90°	1.5	1.9	2.5	3.2	3.8
T90°	1.8	2.1	2.7	3.2	3.8
TN120°	1.8	2.3	3.4	4.3	5.0
Q90°	1.8	2.1	2.7	3.2	3.8

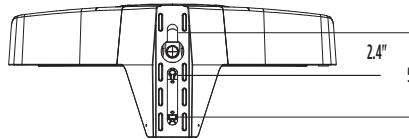
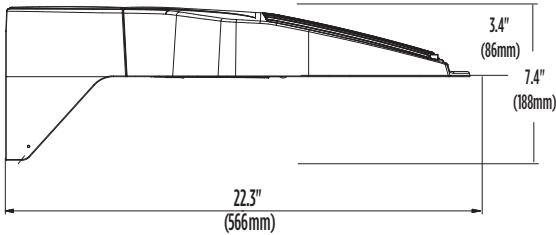
Luminaire EPA Chart - MA Mast Arm

Tilt Degree	0°
Single	0.5

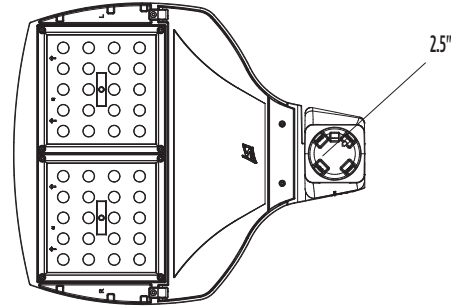
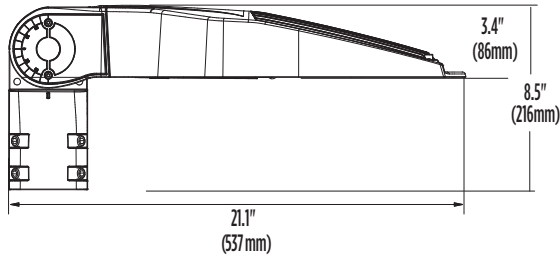
Luminaire EPA Chart - SF Adjustable Slip Fitter

Tilt Degree	0°	15°	30°	45°	60°
Single	0.7	1.3	1.4	1.8	2.2

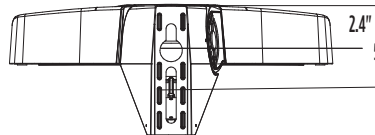
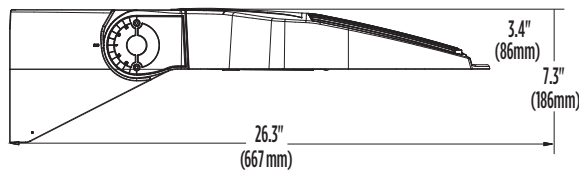
SA Universal Side Arm Mount



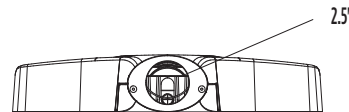
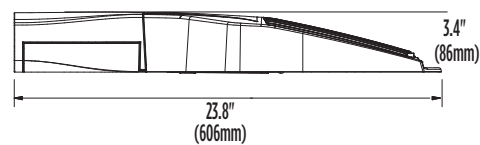
SF Adjustable Slipfitter



UA Universal Adjustable Arm



MA Mast Arm



## V-Locity Small (VALS) Outdoor LED Area Light

Type : \_\_\_\_\_

**Have questions?** Call us at (800) 436-7800

### CONTROLS

[Back to Quick Links](#)

#### Integral Bluetooth™ Motion and Photocell Sensor (IMSBTxL)

Slim low profile sensor provides multi-level control based on motion and/or daylight. Sensor controls 0-10 VDC LED drivers and is IP66 rated for cold and wet locations (-40°F to 167°F). Two unique PIR lenses are available and used based on fixture mounting height. All control parameters are adjustable via an iOS or Android App capable of storing and transmitting sensor profiles.

Click here to learn more details about IMSBT



LEVITON App



Apple



Android

#### AirLink Blue (ALBMRxLR, ALBCSx)

Wireless Bluetooth Mesh Outdoor Lighting Control System that provides energy savings, code compliance and enhanced safety/security for parking lots and parking garages. Three key components; Bluetooth wireless radio/sensor controller, Time Keeper and an iOS App. Capable of grouping multiple fixtures and sensors as well as scheduling time-based events by zone. Radio/Sensor Controller is factory integrated into Area/ Site, Wall Mounted, Parking Garage and Canopy luminaires.

Click here to learn more details about AirLink Blue



AirLink Blue App



Apple

#### Sensor Sequence of Operations

Standard Programming	On Event	Off Event	On Light Level	Dim Light Level	Daylight Harvesting	Delay To Off	Sensitivity
OMSBTxL/IMSBTxL	Motion	No Motion	100%	N/A	On; Auto Calibration	20 minutes	High
OMS	Motion	No Motion	N/A	N/A	N/A	30 seconds	Auto

Operation	Description
On Event	Trigger that activates lights to turn on; either automatic via motion detected or manually activated via push of button.
Off Event	Trigger that activates lights to turn off; either automatic via no motion detected or manually activated via push of button.
On Light Level	The light level that the fixtures will turn on to when ON EVENT occurs.
Dim Light Level	The light level that the fixtures will dim down to when no motion is detected.
Delay to Dim	The amount of time after which no motion is detected that the fixtures will be triggered to dim down. This sequence is optional, and sensor can be programmed to only trigger the fixture to turn off by entering 100% in this field.
Delay to Off	The amount of time after which no motion is detected that the fixtures will be triggered to turn off. If delay to dim is part of the programmed functionality, this is the amount of time after which no motion is detected after the fixture have already dimmed down.
Sensitivity	The sensitivity can be set to high, medium, low, or auto where applicable. High will detect smaller, simple motions. Low will only detect larger more complex motions. Auto temperature calibration adjusts the PIR sensitivity as ambient temperature rises to increase detection of heat movement through the field of view.



Catalog #: \_\_\_\_\_ Project: \_\_\_\_\_ Type: \_\_\_\_\_  
Prepared By: \_\_\_\_\_ Date: \_\_\_\_\_

## Steel Poles

### Square Straight



#### QUICK LINKS

[Ordering Guide](#)

[Configurations](#)

[Dimensions](#)

[EPA](#)

#### FEATURES & SPECIFICATIONS

##### Pole Shaft

- Straight poles are 4", 5", or 6" square.
- Pole shaft is electro-welded ASTM-A500 Grade C steel tubing with a minimum yield strength of 50,000 psi.
- On Tenon Mount steel poles, tenon is 2-3/8" O.D. high-strength pipe. Tenon is 4-3/4" in length.

##### Hand-Hole

- Standard hand-hole location is 12" above pole base.
- Poles 22' and above have a 3x6 reinforced hand hole.

##### Base

- Pole base is ASTM-A36 hot-rolled steel plate with a minimum yield strength of 36,000 psi.
- Two-piece square base cover is optional.

##### Anchor Bolts

- Poles are furnished with anchor bolts featuring zinc-plated double nuts and washers. Galvanized anchor bolts are optional.
- Anchor Bolts conform to ASTM F 1554-07a Grade 55 with a minimum yield strength of 55,000 PSI.

##### Ground Lug

- Ground lug is standard.

##### Duplex Receptacle

- Weatherproof duplex receptacle is optional.

##### Ground Fault Circuit Interrupter

- Self-testing Ground fault circuit interrupter is optional.

##### Finishes

- Every pole is provided with the DuraGrip Protection System and a 5-year limited warranty:
- When the top-of-the line DuraGrip Plus Protection System is selected, in addition to the DuraGrip Protection System, a non-porous, automotive-grade corrosion coating is applied to the lower portion of the pole interior sealing and further protecting it from corrosion. This option extends the limited warranty to 7 years.

##### Determining The Luminaire/Pole Combination For Your Application:

- Select luminaire from luminaire ordering information.
- Select bracket configuration if required
- Determine EPA value from luminaire/bracket EPA chart

- Select Pole Height

- Select MPH to match wind speed in the application area (See windspeed maps).

- Confirm pole EPA equal to or exceeding value of luminaire/bracket EPA

- Consult factory for special wind load requirements and banner brackets.

##### Pole Vibration Damper

- A pole vibration damper is recommended in open terrain areas of the country where low steady state winds are common.

- Non-tapered poles and lightly loaded poles are more susceptible to destructive vibration if a damper is not installed.

##### Listings

- UL Listed
- BAA/TAA Compliant

## Steel Poles Square Straight

Have questions? Call us at (800) 436-7800

Type : \_\_\_\_\_

### ORDERING GUIDE

[Back to Quick Links](#)

TYPICAL ORDER EXAMPLE: 4SQ B3 S11G 24 S PLP DGP						
Pole Series	Mounting Method	Material	Height <sup>2</sup>	Mounting Configuration	Pole Finish	Options
4SQ - 4" x 4" Square Straight Pole (New Build)	<b>Bolt-On Mount<sup>1</sup></b> - See pole selection guide for patterns and fixture matches	<b>S11G</b> - 11 Ga. Steel (4SQ/4SQU and 5SQ/5SQU Only)	8'	S - Single/Parallel	<b>BRZ</b> - Bronze	<b>GA</b> - Galvanized Anchor Bolts
5SQ - 5" x 5" Square Straight Pole (New Build)			10'	<b>D180</b> - Double		
6SQ - 6" x 6" Square Straight Pole (New Build)	<b>B5</b> - 5" Traditional Drilling Pattern	<b>S07G</b> - 07 Ga. Steel	12'	<b>D90</b> - Double	<b>BLK</b> - Black	<b>SF</b> - Single Flood <sup>3</sup>
4SQU - 4" x 4" Square Straight Pole (Retrofit)	<b>B3</b> - 3" Reduced Pattern		13'	<b>DN90</b> - Double	<b>PLP</b> - Platinum Plus	<b>DF</b> - Double Flood <sup>3</sup>
5SQU - 5" x 5" Square Straight Pole (Retrofit)	<b>B2</b> - 2" Low Profile Drilling Pattern		14'	<b>T90</b> - Triple	<b>WHT</b> - White	<b>DGP</b> - DuraGrip <sup>3</sup> Plus
6SQU - 6" x 6" Square Straight Pole (Retrofit)	<b>B2R</b> - Raised 2" Reduce Drilling Pattern ( <b>LAL4 ONLY</b> )		15'	<b>TN120</b> - Triple	<b>SVG</b> - Satin Verde Green	<b>LAB</b> - Less Anchor Bolts
			16'	<b>Q90</b> - Quad	<b>GPT</b> - Graphite	<b>CRXX</b> - Conduit Raceway <sup>4</sup>
			17'	<b>QN90</b> - Quad	<b>MSV</b> - Metallic Silver	
	<b>T</b> - Tenon Mount - See pole selection guide for tenon and fixture/bracket matches		17'6"	<b>N</b> - Tenon Mount (Standard Tenon size is 2-3/8" O.D.) <sup>8</sup> <b>(Blank)</b> - Use with I for Mounting Method	<b>BZA</b> - Alternate Bronze	
			18'		<b>GMG</b> - Gun Metal Gray	
			20'			
			22'			
		22'6"				
		23'				
		24'				
		25'				
		26'				
		27'				
		28'				
		30'				
		32'				
		35'				
		39'				
	<b>I</b> - No Mounting Holes <sup>1</sup>					



Need more information?  
[Click here for our glossary.](#)

Have additional questions?  
Call us at (800) 436-7800



### ACCESSORY ORDERING INFORMATION

Part Number	Description
122559CLR	4BC - 4" Square Base Cover
122561CLR	5BC - 5" Square Base Cover
122563CLR	6BC - 6" Square Base Cover
132488CLR	5BC - 5" Square Universal Base Cover
131252CLR	6BC - 6" Square Universal Base Cover
122566CLR	ER2 - Weatherproof Duplex Receptacle
122567CLR	GFI - Ground Fault Circuit Interrupter
132336	MH5 - mounting Hole Plugs for use with 5" traditional drill pattern (3 set of 3 plugs)
681126	MH3 - mounting Hole Plugs for use with 3" reduced drill pattern (3 set of 3 plugs)
725841	MH2 - Mounting Hole Plugs for use with 2" reduced drill pattern (3 sets of 3 plugs)
172539	Vibration Damper - 4" Square Pole (bolt-on mount only)
172538	Vibration Damper - 5" Square Pole (bolt-on mount only)
178361	Vibration Damper - 6" Square Pole (bolt-on mount only)

### ANCHOR BOLT KIT ORDERING INFORMATION

Part Number	Description
AB KIT 122584	4SQ S11G/S07G Anchor Bolts (Steel Plated)
AB KIT 122609	4SQ S11G/S07G Anchor Bolts (Galvanized)
AB KIT 1225850	5SQ S11G Anchor Bolts (Steel Plated)
AB KIT 122610	5SQ S11G Anchor Bolts (Galvanized)
AB KIT 122586	5SQ S07G Anchor Bolts (Steel Plated)
AB KIT 122611	5SQ S07G Anchor Bolts (Galvanized)
AB KIT 122612	6SQ S07G Anchor Bolts (Galvanized)

1 - See Area Light Brackets - 3" Reduced Drill Pattern and Area Light Brackets - 5" Traditional Drill Pattern Spec Sheets.

2 - Pole heights will have +/- 1/2" tolerance.

3 - See Flood Lighting Brackets section for choice of FBO brackets.

4 - CR selection must indicate required height and side of pole mounting location. Mounting template required at time of order.



## Steel Poles Square Straight

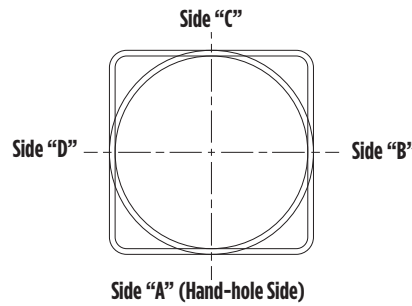
Type : \_\_\_\_\_

**Have questions?** Call us at (800) 436-7800

### DRILLING LOCATIONS

[Back to Quick Links](#)

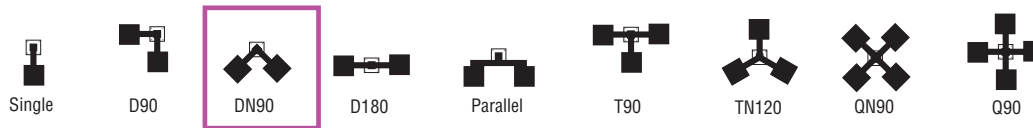
Sides	A	B	C	D
Hand-hole	X			
Single	X			
D180		X		X
D90	X			X
DN90 <sup>1</sup>				
T90	X	X		X
TN120 <sup>2</sup>				
Q90	X	X	X	X
QN90 <sup>3</sup>				
Single FBO	X			
Double FBO		X		X



- 1 - Two locations will be 45° to the left and right of Side A.
- 2 - Other two locations will be 120° to the left and right of Side A.
- 3 - Two locations will be 45° to the left and right of Side A and two locations will be 135° to the left and right of Side A.

Consult factory for custom variations. Standard SF and DF pole preparations are located 3/4 of the height of the pole from the base, except on 20' poles. Maximum height for SF and DF pole preparations on 20' poles is 13' from the base.

### FIXTURE CONFIGURATIONS



## Steel Poles Square Straight

Type : \_\_\_\_\_

Have questions? Call us at (800) 436-7800

### BOLT CIRCLE

[Back to Quick Links](#)

#### STANDARD BASEPLATE

4" (102mm) square  
10-1/8" (257mm) sq.



11" (279mm) Dia. Bolt Circle

5" (127mm) square  
10-1/8" (257mm) sq.



11" (279mm) Dia. Bolt Circle

5" (127mm) square  
10-1/8" (257mm) sq.



11" (279mm) Dia. Bolt Circle

6" (152mm) square  
12" (305mm) sq.



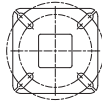
12" (305mm) Dia. Bolt Circle

Bolt Circle Designator	B	C	D	J
Bolt Circle	Slotted 8"-11" (203mm-279mm)	Slotted 9"-11" (229mm-279mm)	Slotted 9"-11" (229mm-279mm)	Slotted 12" (305mm)
Anchor Bolt Size	3/4" x 24" (19mm x 609mm)	3/4" x 24" (19mm x 609mm)	1"x30" (25mm x 762mm)	1"x30" (25mm x 762mm)
Anchor Bolt Projection	3-1/4" (83mm)	3-1/4" (83mm)	4" (102mm)	4" (102mm)
Base Plate Opening for Wireway Entry	3-5/8" (92mm)	4-3/4" (121mm)	4-5/8" (117mm)	5-5/8" (143mm)
Base Plate Dimensions	10-1/8" sq. x 3/4" thk. (257mm x 19mm)	10-1/8" sq. x 3/4" thk. (257mm x 19mm)	10-1/8" sq. x 1" thk. (257mm x 25mm)	12" sq. x 1-1/8" thk. (305mm x 29mm)
Pole Gauge	11	11	7	7

Note: Base plate illustrations may change without notice. Do not use for setting anchor bolts. Consult factory for the appropriate anchor bolt template.

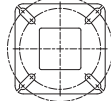
#### UNIVERSAL BASEPLATE

4" (102mm) square  
10.5" (267mm) sq.



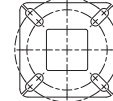
4SQ

5" (127mm) square  
11.125" (283mm) sq.



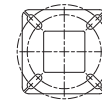
5SQ

5" (127mm) square  
11.75" (298mm) sq.



5SQ

6" (152mm) square  
12-1/2" (318mm) sq.



14" (356mm) Dia. Bolt Circle

Bolt Circle Designator	E	F	G	H
Bolt Circle	Slotted 9"-12"	Slotted 10"-13"	Slotted 10"-13"	Slotted 11"-14" (279mm-356mm)
Anchor Bolt Size	3/4" x 24" (19mm x 609 mm)	3/4x 24" (19mm x 609 mm)	1"x30" (25mm x 762mm)	1"x30" (25mm x 762mm)
Anchor Bolt Projection	3-1/4" (83 mm)	3-1/4" (83 mm)	4" (102 mm)	4" (102mm)
Base Plate Opening for Wireway Entry	3-5/8" (92mm)	4-3/4" (121mm)	5-1/8" (130 mm)	5-5/8" (143mm)
Base Plate Dimensions	10-1/2" sq. x 3/4" thk. (267 mm x 19 mm)	11-1/8 sq. x 3/4" thk. (283 mm x 19 mm)	11-3/4" sq. x 1" thk. (298 mm x 25 mm)	12 1/2" sq. x 1 1/8" thk. (318mm x 29mm)
Pole Gauge	11	11	7	7

Note: Base plate illustrations may change without notice. Do not use for setting anchor bolts. Consult factory for the appropriate anchor bolt template.

1 - Full Galvanized option is 1" x 30" straight headed anchor bolt. Contact factory for questions

## Steel Poles Square Straight

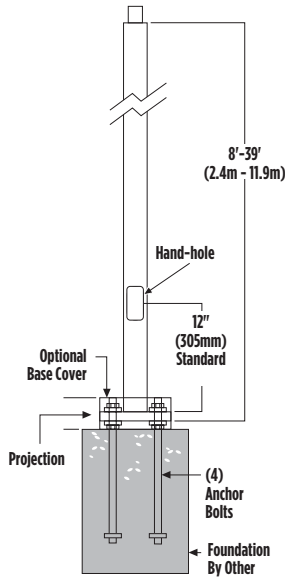
Have questions? Call us at (800) 436-7800

Type : \_\_\_\_\_

### PRODUCT DIMENSIONS

[Back to Quick Links](#)

SQT -  
N= 2-3/8" (60mm) O.D. x 4-3/4" (121mm) Tenon



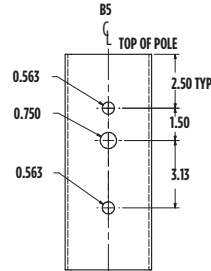
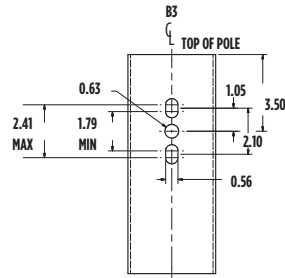
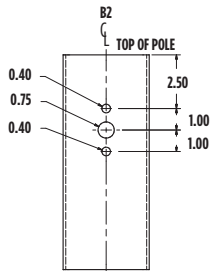
SF -  
Single Flood  
Pole Preparation



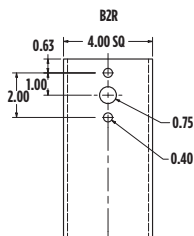
#### SHIPPING WEIGHTS

4" (102mm) sq. 11 Ga. is approximately	7.50 lbs./ft.
4" (102mm) sq. 07 Ga. is approximately	10.00 lbs./ft.
5" (127mm) sq. 11 Ga. is approximately	9.00 lbs./ft.
5" (127mm) sq. 07 Ga. is approximately	12.50 lbs./ft.
6" (152mm) sq. 07 Ga. is approximately	15.40 lbs./ft.
Anchor Bolts (3/4" x 24") (19mm x 609mm)	15 lbs. (7kg)/set
Anchor Bolts (1" x 30") (25mm x 762mm)	30 lbs. (14kg)/set

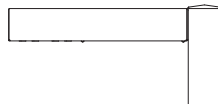
#### Bolt-On Mount 2-Bolt Pattern



ONLY FOR USE WITH LAL4 PRODUCT  
BZR- Raised 2" low profile drilling pattern



SIDE VIEW



TOP VIEW



## Steel Poles Square Straight

Type : \_\_\_\_\_

Have questions? Call us at (800) 436-7800

### WIND SPEED

[Back to Quick Links](#)

**EPA Information**

All LSI Industries' poles are guaranteed to meet the EPA requirements listed. LSI Industries is not responsible if a pole order has a lower EPA rating than the indicated wind-loading zone where the pole will be located.

CAUTION: This guarantee does not apply if the pole/bracket/fixture combination is used to support any other items such as flags, pennants, or signs, which would add stress to the pole. LSI Industries cannot accept responsibility for harm or damage caused in these situations.

NOTE: Pole calculations include a 1.3 gust factor over steady wind velocity. Example: poles designed to withstand 80 MPH steady wind will withstand gusts to 104 MPH. EPAs are for locations 100 miles away from hurricane ocean lines. Consult LSI for other areas. Note: Hurricane ocean lines are the Atlantic and Gulf of Mexico coastal areas. For applications in Florida or Canada, consult factory.

POLE <sup>1</sup>	Mtg. Height Length (ft)	Wall Thick (ga)	BOLT CIRCLE			EPA									
			Designator	Dia. (in)	Anchor bolt Dia {in}	110 MPH	115 MPH	120 MPH	130 MPH	140 MPH	150 MPH	160 MPH	170 MPH	180 MPH	
4" x 11-ga x 12'	12	11	B	8" - 11"	0.75	13.9	12.5	11.3	9.2	7.6	6.3	5.2	4.3	3.6	
4" x 11-ga x 14'	14	11	B	8" - 11"	0.75	10.7	9.5	8.5	6.8	5.4	4.4	3.5	2.7	2.1	
4" x 11-ga x 16'	16	11	B	8" - 11"	0.75	8.2	7.2	6.4	4.9	3.8	2.9	2.1	1.5	1.0	
4" x 11-ga x 18'	18	11	B	8" - 11"	0.75	6.3	5.4	4.7	3.4	2.4	1.6	1.0	0.4	n/a	
4" x 11-ga x 20'	20	11	B	8" - 11"	0.75	4.6	3.9	3.2	2.1	1.2	0.6	n/a	n/a	n/a	
4" x 11-ga x 22'	22	11	B	8" - 11"	0.75	7.6	6.6	5.7	4.2	3.0	2.0	1.2	0.5	n/a	
4" x 11-ga x 24'	24	11	B	8" - 11"	0.75	6.0	5.1	4.3	2.9	1.8	0.9	n/a	n/a	n/a	
4" x 11-ga x 26'	26	11	B	8" - 11"	0.75	4.6	3.7	3.0	1.7	0.7	n/a	n/a	n/a	n/a	
4" x 7-ga x 14'	14	7	B	8" - 11"	0.75	18.3	16.4	14.9	12.2	10.2	8.5	7.1	5.9	5.0	
4" x 7-ga x 16'	16	7	B	8" - 11"	0.75	14.7	13.2	11.8	9.6	7.8	6.3	5.2	4.2	3.4	
4" x 7-ga x 18'	18	7	B	8" - 11"	0.75	11.9	10.5	9.3	7.4	5.9	4.6	3.6	2.8	2.1	
4" x 7-ga x 20'	20	7	B	8" - 11"	0.75	9.6	8.4	7.4	5.7	4.3	3.2	2.3	1.6	0.9	
4" x 7-ga x 22'	22	7	B	8" - 11"	0.75	7.7	6.6	5.7	4.2	3.0	2.0	1.2	0.5	n/a	
4" x 7-ga x 24'	24	7	B	8" - 11"	0.75	6.0	5.1	4.3	2.9	1.8	0.9	n/a	n/a	n/a	
4" x 7-ga x 26'	26	7	B	8" - 11"	0.75	4.6	3.7	3.0	1.7	0.7	n/a	n/a	n/a	n/a	
4" x 7-ga x 28'	28	7	B	8" - 11"	0.75	3.3	2.5	1.8	0.7	n/a	n/a	n/a	n/a	n/a	
4" x 7-ga x 30'	30	7	B	8" - 11"	0.75	2.2	1.4	0.8	n/a	n/a	n/a	n/a	n/a	n/a	
5" x 11-ga x 14'	14	11	C	9" - 11"	0.75	17.4	15.7	14.1	11.5	9.3	7.7	6.3	5.2	4.2	
5" x 11-ga x 16'	16	11	C	9" - 11"	0.75	13.8	12.3	10.9	8.7	6.9	5.5	4.3	3.3	2.5	
5" x 11-ga x 18'	18	11	C	9" - 11"	0.75	10.8	9.6	8.4	6.5	4.9	3.7	2.6	1.8	1.1	
5" x 11-ga x 20'	20	11	C	9" - 11"	0.75	8.5	7.3	6.3	4.6	3.2	2.1	1.2	0.5	n/a	
5" x 11-ga x 22'	22	11	C	9" - 11"	0.75	10.9	9.5	8.3	6.2	4.5	3.2	2.1	1.2	0.5	
5" x 11-ga x 24'	24	11	C	9" - 11"	0.75	8.8	7.5	6.4	4.5	3.0	1.8	0.8	n/a	n/a	
5" x 11-ga x 26'	26	11	C	9" - 11"	0.75	6.8	5.7	4.6	3.0	1.6	0.6	n/a	n/a	n/a	
5" x 11-ga x 28'	28	11	C	9" - 11"	0.75	5.2	4.1	3.2	1.6	0.4	n/a	n/a	n/a	n/a	
5" x 11-ga x 30'	30	11	C	9" - 11"	0.75	3.6	2.7	1.8	0.4	n/a	n/a	n/a	n/a	n/a	
5" x 7-ga x 20'	20	7	D	9" - 11"	1.00	21.6	19.3	17.3	14.0	11.3	9.2	7.4	6.0	4.8	
5" x 7-ga x 22'	22	7	D	9" - 11"	1.00	20.7	18.6	16.6	13.3	10.7	8.5	6.8	5.4	4.2	
5" x 7-ga x 24'	24	7	D	9" - 11"	1.00	17.7	15.6	13.8	10.8	8.5	6.6	5.0	3.7	2.6	
5" x 7-ga x 26'	26	7	D	9" - 11"	1.00	14.9	13.1	11.4	8.8	6.6	4.9	3.5	2.3	1.3	
5" x 7-ga x 28'	28	7	D	9" - 11"	1.00	12.5	10.9	9.4	6.9	4.9	3.4	2.1	1.0	n/a	
5" x 7-ga x 30'	30	7	D	9" - 11"	1.00	10.3	8.9	7.5	5.2	3.4	2.0	0.8	n/a	n/a	
5" x 7-ga x 35'	35	7	D	9" - 11"	1.00	6.0	4.8	3.6	1.8	n/a	n/a	n/a	n/a	n/a	
6" x 7-ga x 24'	24	7	J	12"	1.00	18.6	16.4	14.3	11.2	8.6	6.5	4.8	3.4	2.2	
6" x 7-ga x 26'	26	7	J	12"	1.00	15.6	13.4	11.7	8.8	6.5	4.6	3.0	1.8	0.7	
6" x 7-ga x 28'	28	7	J	12"	1.00	12.9	10.9	9.3	6.7	4.6	2.8	1.5	n/a	n/a	
6" x 7-ga x 30'	30	7	J	12"	1.00	10.4	8.8	7.3	4.8	2.9	1.3	n/a	n/a	n/a	
6" x 7-ga x 32'	32	7	J	12"	1.00	8.3	6.8	5.5	3.1	1.3	n/a	n/a	n/a	n/a	
6" x 7-ga x 34'	34	7	J	12"	1.00	6.5	5.0	3.7	1.6	n/a	n/a	n/a	n/a	n/a	
6" x 7-ga x 35'	35	7	J	12"	1.00	5.5	4.2	2.9	0.9	n/a	n/a	n/a	n/a	n/a	
6" x 7-ga x 39'	39	7	J	12"	1.00	2.3	1.0	n/a	n/a	n/a	n/a	n/a	n/a	n/a	



## Steel Poles Square Straight

Type : \_\_\_\_\_

Have questions? Call us at (800) 436-7800

### WIND SPEED

POLE <sup>1</sup>	Mtg. Height Length (ft)	Wall Thick (ga)	BOLT CIRCLE			EPA								
			Designator	Dia. (in)	Anchor Bolt Dia (in)	110 MPH	115 MPH	120 MPH	130 MPH	140 MPH	150 MPH	160 MPH	170 MPH	180 MPH
5" x 11-ga x 14'	14	11	F	11"	0.75	17.6	15.8	14.2	11.5	9.4	7.7	6.3	5.2	4.3
5" x 11-ga x 14'	14	11	F	13"	0.75	17.6	15.8	14.2	11.5	9.4	7.7	6.3	5.2	4.3
5" x 11-ga x 16'	16	11	F	11"	0.75	13.9	12.2	11.0	8.8	7.0	5.5	4.3	3.4	2.5
5" x 11-ga x 16'	16	11	F	13"	0.75	13.9	12.2	11.0	8.8	7.0	5.5	4.3	3.4	2.5
5" x 11-ga x 18'	18	11	F	11"	0.75	11.0	9.6	8.4	6.5	5.0	3.7	2.7	1.8	1.1
5" x 11-ga x 18'	18	11	F	13"	0.75	11.0	9.6	8.4	6.5	5.0	3.7	2.7	1.8	1.1
5" x 11-ga x 20'	20	11	F	11"	0.75	8.6	7.4	6.4	4.6	3.3	2.2	1.3	0.5	-
5" x 11-ga x 20'	20	11	F	13"	0.75	8.6	7.4	6.4	4.6	3.3	2.2	1.3	0.5	-
5" x 11-ga x 22'	22	11	F	11"	0.75	12.7	11.1	9.6	7.4	5.6	4.1	3.0	2.0	1.1
5" x 11-ga x 22'	22	11	F	12"	0.75	10.3	8.9	7.7	5.7	4.1	2.8	1.8	0.9	-
5" x 11-ga x 22'	22	11	F	13"	0.75	8.6	7.4	6.4	4.6	3.1	2.0	1.1	-	-
5" x 11-ga x 24'	24	11	F	11"	0.75	10.2	8.9	7.6	5.6	4.0	2.6	1.6	0.7	-
5" x 11-ga x 24'	24	11	F	12"	0.75	8.0	6.9	5.8	4.0	2.6	1.5	0.5	-	-
5" x 11-ga x 24'	24	11	F	13"	0.75	6.7	5.5	4.6	3.0	1.7	0.7	-	-	-
5" x 11-ga x 26'	26	11	F	11"	0.75	8.1	6.9	5.8	4.0	2.5	1.3	-	-	-
5" x 11-ga x 26'	26	11	F	12"	0.75	6.2	5.1	4.1	2.6	1.3	-	-	-	-
5" x 11-ga x 26'	26	11	F	13"	0.75	5.0	4.0	3.1	1.6	0.5	-	-	-	-
5" x 11-ga x 28'	28	11	F	11"	0.75	6.3	5.2	4.3	2.5	1.1	-	-	-	-
5" x 11-ga x 28'	28	11	F	12"	0.75	4.6	3.6	2.7	1.2	-	-	-	-	-
5" x 11-ga x 28'	28	11	F	13"	0.75	3.4	2.5	1.7	-	-	-	-	-	-
5" x 11-ga x 30'	30	11	F	11"	0.75	4.7	3.7	2.8	1.2	-	-	-	-	-
5" x 11-ga x 30'	30	11	F	12"	0.75	3.1	2.2	1.4	-	-	-	-	-	-
5" x 11-ga x 30'	30	11	F	13"	0.75	2.0	1.2	0.5	-	-	-	-	-	-
5" x 7-ga x 20'	20	7	G	11"	0.75	19.0	17.0	15.0	12.2	9.7	7.8	6.2	5.0	3.8
5" x 7-ga x 20'	20	7	G	12"	0.75	21.4	19.1	17.1	13.8	11.2	9.1	7.3	5.9	4.7
5" x 7-ga x 20'	20	7	G	13"	0.75	21.4	19.2	17.2	13.9	11.3	9.2	7.4	6.0	4.8
5" x 7-ga x 20'	20	7	G	11"	1	21.7	19.4	17.4	14.0	11.4	9.3	7.5	6.0	4.8
5" x 7-ga x 20'	20	7	G	13"	1	21.7	19.4	17.4	14.0	11.4	9.3	7.5	6.0	4.8
5" x 7-ga x 22'	22	7	G	11"	0.75	16.0	14.1	12.5	9.8	7.6	5.9	4.4	3.3	2.3
5" x 7-ga x 22'	22	7	G	12"	0.75	17.7	15.9	14.2	11.2	8.7	7.0	5.4	4.1	3.0
5" x 7-ga x 22'	22	7	G	13"	0.75	19.9	17.3	15.6	12.6	10.0	8.0	6.3	5.0	3.8
5" x 7-ga x 22'	22	7	G	11"	1	21.0	18.7	16.7	13.4	10.6	8.5	6.8	5.4	4.2
5" x 7-ga x 22'	22	7	G	12"	1	23.4	20.6	18.4	15.0	12.2	9.9	8.0	6.4	5.1
5" x 7-ga x 22'	22	7	G	13"	1	21.3	18.8	17.0	13.7	11.0	8.8	7.0	5.6	4.3
5" x 7-ga x 24'	24	7	G	11"	0.75	13.3	11.6	10.0	7.7	5.7	4.2	2.9	1.9	1.0
5" x 7-ga x 24'	24	7	G	12"	0.75	15.0	13.0	11.6	8.9	6.8	5.1	3.8	2.6	1.7
5" x 7-ga x 24'	24	7	G	13"	0.75	16.6	14.6	12.9	10.2	8.0	6.1	4.6	3.3	2.3
5" x 7-ga x 24'	24	7	G	11"	1	17.5	15.7	13.9	10.9	8.6	6.7	5.0	3.7	2.7
5" x 7-ga x 24'	24	7	G	12"	1	20.0	17.4	15.4	12.3	9.9	7.8	6.0	4.7	3.5
5" x 7-ga x 24'	24	7	G	13"	1	18.1	16.0	14.2	11.0	8.7	6.7	5.3	3.9	2.8
5" x 7-ga x 26'	26	7	G	11"	0.75	10.9	9.3	8.0	5.9	4.1	2.7	1.6	0.6	-
5" x 7-ga x 26'	26	7	G	12"	0.75	12.4	10.9	9.5	7.0	5.1	3.6	2.3	1.3	-
5" x 7-ga x 26'	26	7	G	13"	0.75	14.0	12.3	10.7	8.1	6.0	4.4	3.1	2.0	1.0
5" x 7-ga x 26'	26	7	G	11"	1	15.0	13.2	11.5	8.8	6.7	4.9	3.5	2.3	1.3

## Steel Poles Square Straight

Type : \_\_\_\_\_

Have questions? Call us at (800) 436-7800

### WIND SPEED

POLE <sup>1</sup>	Mtg. Height Length (ft)	Wall Thick (ga)	BOLT CIRCLE			EPA									
			Designator	Dia. (in)	Anchor Bolt Dia (in)	110 MPH	115 MPH	120 MPH	130 MPH	140 MPH	150 MPH	160 MPH	170 MPH	180 MPH	
5" x 7-ga x 26'	26	7	G	12"	1	17.0	14.8	13.0	10.2	7.9	6.0	4.4	3.1	2.1	
5" x 7-ga x 26'	26	7	G	13"	1	15.3	13.5	11.8	9.0	6.8	5.0	3.6	2.5	1.4	
5" x 7-ga x 28'	28	7	G	11"	0.75	8.9	7.4	6.3	4.3	2.7	1.4	-	-	-	
5" x 7-ga x 28'	28	7	G	12"	0.75	10.2	8.8	7.5	5.3	3.5	2.1	1.0	-	-	
5" x 7-ga x 28'	28	7	G	13"	0.75	11.8	10.2	8.8	6.4	4.5	3.0	1.7	0.7	-	
5" x 7-ga x 28'	28	7	G	11"	1	12.5	10.9	9.5	7.0	5.0	3.3	2.1	1.0	-	
5" x 7-ga x 28'	28	7	G	12"	1	14.2	12.4	11.0	8.2	6.0	4.3	3.0	1.7	0.8	
5" x 7-ga x 28'	28	7	G	13"	1	12.9	11.0	9.7	7.2	5.2	3.6	2.2	1.1	-	
5" x 7-ga x 30'	30	7	G	11"	0.75	7.0	5.8	4.7	2.8	1.3	-	-	-	-	
5" x 7-ga x 30'	30	7	G	12"	0.75	8.4	7.0	5.8	3.8	2.2	0.9	-	-	-	
5" x 7-ga x 30'	30	7	G	13"	0.75	9.7	8.2	7.0	4.8	3.0	1.6	0.5	-	-	
5" x 7-ga x 30'	30	7	G	11"	1	10.4	8.8	7.6	5.3	3.4	2.0	0.8	-	-	
5" x 7-ga x 30'	30	7	G	12"	1	12.0	10.3	9.0	6.4	4.4	2.9	1.6	0.5	-	
5" x 7-ga x 30'	30	7	G	13"	1	10.6	9.1	7.7	5.5	3.6	2.1	1.0	-	-	
5" x 7-ga x 35'	35	7	G	11"	0.75	3.2	2.2	1.2	-	-	-	-	-	-	
5" x 7-ga x 35'	35	7	G	12"	0.75	4.4	3.2	2.2	0.5	-	-	-	-	-	
5" x 7-ga x 35'	35	7	G	13"	0.75	5.5	4.2	3.1	1.3	-	-	-	-	-	
5" x 7-ga x 35'	35	7	G	11"	1	6.0	4.8	3.6	1.8	-	-	-	-	-	
5" x 7-ga x 35'	35	7	G	12"	1	7.3	6.0	4.8	2.7	1.1	-	-	-	-	
5" x 7-ga x 35'	35	7	G	13"	1	6.3	5.0	3.8	1.9	-	-	-	-	-	
6" x 7-ga x 24'	24	7	H	11"	1	16.5	14.4	12.6	9.6	7.2	5.3	3.8	2.5	1.4	
6" x 7-ga x 24'	24	7	H	12-1/2"	1	19.8	17.5	15.4	12.0	9.2	7.0	5.3	3.8	2.7	
6" x 7-ga x 24'	24	7	H	14"	1	23.0	20.5	18.0	14.3	11.2	8.9	6.9	5.3	3.8	
6" x 7-ga x 26'	26	7	H	11"	1	13.7	11.8	10.2	7.5	5.3	3.6	2.1	1.0	-	
6" x 7-ga x 26'	26	7	H	12-1/2"	1	16.5	14.6	12.6	9.6	7.0	5.2	3.6	2.2	1.1	
6" x 7-ga x 26'	26	7	H	14"	1	19.6	17.3	15.2	11.7	8.9	6.7	5.0	3.5	2.2	
6" x 7-ga x 28'	28	7	H	11"	1	11.0	9.3	7.8	5.5	3.5	1.9	0.6	-	-	
6" x 7-ga x 28'	28	7	H	12-1/2"	1	13.8	12.0	10.2	7.5	5.2	3.4	1.9	0.7	-	
6" x 7-ga x 28'	28	7	H	14"	1	16.4	14.5	12.5	9.4	6.9	4.7	3.2	1.8	0.7	
6" x 7-ga x 30'	30	7	H	11"	1	9.0	7.3	6.0	3.6	1.9	0.5	-	-	-	
6" x 7-ga x 30'	30	7	H	12-1/2"	1	11.4	9.6	8.0	5.5	3.4	1.7	-	-	-	
6" x 7-ga x 30'	30	7	H	14"	1	14.0	12.0	10.0	7.2	5.0	3.2	1.6	-	-	
6" x 7-ga x 32'	32	7	H	11"	1	7.0	5.5	4.2	2.0	-	-	-	-	-	
6" x 7-ga x 32'	32	7	H	12-1/2"	1	9.2	7.6	6.0	3.8	1.8	-	-	-	-	
6" x 7-ga x 32'	32	7	H	14"	1	11.4	9.7	8.0	5.4	3.2	1.6	-	-	-	
6" x 7-ga x 34'	34	7	H	11"	1	5.1	3.7	2.5	0.6	-	-	-	-	-	
6" x 7-ga x 34'	34	7	H	12-1/2"	1	7.2	5.6	4.4	2.2	-	-	-	-	-	
6" x 7-ga x 34'	34	7	H	14"	1	9.3	7.6	6.2	3.6	1.7	-	-	-	-	
6" x 7-ga x 35'	35	7	H	11"	1	4.2	3.0	1.8	-	-	-	-	-	-	
6" x 7-ga x 35'	35	7	H	12-1/2"	1	6.2	4.8	3.6	1.4	-	-	-	-	-	
6" x 7-ga x 35'	35	7	H	14"	1	8.2	6.6	5.2	2.9	1.0	-	-	-	-	
6" x 7-ga x 39'	39	7	H	11"	1	1.0	-	-	-	-	-	-	-	-	
6" x 7-ga x 39'	39	7	H	12-1/2"	1	3.0	1.6	0.5	-	-	-	-	-	-	
6" x 7-ga x 39'	39	7	H	14"	1	4.6	3.3	2.0	-	-	-	-	-	-	



Catalog #: \_\_\_\_\_ Project: \_\_\_\_\_ Type: \_\_\_\_\_  
Prepared By: \_\_\_\_\_ Date: \_\_\_\_\_

## V-Locity Small (VALS)

### Outdoor LED Area Light



OVERVIEW	
Lumen Package	6,000 - 27,000
Wattage Range	36 - 178
Efficacy Range (LPW)	96 - 171
Weight lbs(kg)	20 (9.1)
Control Options	IMSBT, ALB, ALS, 7-Pin, PCI

#### QUICK LINKS

[Ordering Guide](#)

[Performance](#)

[Photometrics](#)

[Dimensions](#)

#### FEATURES & SPECIFICATIONS

##### Construction

- Rugged die-cast aluminum housing contains factory prewired driver and optical units. Cast aluminum wiring access door located underneath.
- Self-contained optic, board and heat sink assembly can be rotated or replaced in the field.
- Fixtures are finished with LSI's DuraGrip® polyester powder coat finishing process. The DuraGrip finish withstands extreme weather changes without cracking or peeling. Other standard LSI finishes available. Consult factory.
- Shipping weight: TBD lbs in carton.

##### Optical System

- State-of-the-Art acrylic optics delivers industry leading optical control with an integrated gasket to provide IP66 rated seal.
- Proprietary refractor optics provide exceptional coverage and uniformity in distribution types 2, 3M, 3W, 4M, 4W, 4F, FTM, 5QN, 5QM, 5Q, 5QW, AM, WF and LC/RC.
- Available in 5000K, 4000K, 3500K, 3000K and 2700K color temperatures per ANSI C78.377 as well as phosphor converted amber.
- Minimum CRI of 80 (optional 70 CRI for 5000K and 4000K).
- Factory or field installable integral shielding available for enhanced spill light control.
- Zero Uplight (excludes adjustable arms).

##### Electrical

- High-performance driver features over-voltage, under voltage, short-circuit and over temperature protection.
- 0-10 volt dimming (10% - 100%) standard, must specify EXT option for dimming leads to be extended to fixture exterior.
- Standard Universal Voltage (120-277 VAC) Input 50/60 Hz or optional High Voltage (347-480 VAC).
- L70 Calculated Life: >60k Hours
- Total harmonic distortion: <20%
- Operating temperature: -40°C to +50°C (-40°F to +122°F).
- Power factor: >.90
- Input power stays constant over life.
- Field replaceable 10kV surge protection device meets a minimum Category C Low operation (per ANSI/IEEE C62.41.2).
- High-efficiency LEDs mounted to metal-core circuit board to maximize heat dissipation
- Driver is fully encased in potting material for moisture resistance and complies with FCC standards. Driver and key electronic components can easily be accessed.

##### Controls

- Optional integral passive infrared Bluetooth™ motion and photocell sensor. Fixtures operate independently and can be commissioned via iOS or Android configuration app.
- LSI's AirLink™ wireless control system options reduce energy and maintenance costs while optimizing light quality 24/7.

##### Installation

- REDiMount pole mount arm allows for a true one person installation.
- Side arm pole mount designed to mount to square or round poles.
- Pole mount arms can accommodate pole drill patterns from 2.4 to 5" on center and utilize LSI's reduced B3 or traditional B5 drill patterns.
- Additional mounting options are available including a mast arm or adjustable slip fitter that allow for luminaire attachment to a 2 3/8" tenon or mast arm.
- Adjustable arms allow for 65° of tilt (-5° below horizontal to +60° above horizontal) in 5° increments.

##### Warranty

- LSI luminaires carry a 5-year limited warranty. Refer to <https://www.lsicorp.com/resources/terms-conditions-warranty/> for more information.

##### Listings

- Listed to UL 1598 and UL 8750.
- Meets Buy American Act requirements.
- DarkSky approved with 3000K or warmer color temperature selection (side arm pole and mast arm mounting only).
- Title 24 Compliant; see local ordinance for qualification information.
- Suitable for wet locations.
- IP66 rated Luminaire per IEC 60598-1.
- 3G rated for ANSI C136.31 high vibration applications are qualified.



Date: 10/17/2024

Project: MARTIN STREET BUS TERMINAL

Description: VALS-15L-LC-UNV-50K7-BLK-SA-IS

Line Item#: 5  
Go to Bill of Materials

Type: C

Powered by 4submittal.com

# V-Locity Small (VALS) Outdoor LED Area Light

Type : \_\_\_\_\_

Have questions? Call us at (800) 436-7800

## ORDERING GUIDE

[Back to Quick Links](#)

TYPICAL ORDER EXAMPLE: VALS 18L 4W UNV 40K8 BLK SA ALBMR2LR IS						
Prefix	Lumen Package	Distribution	Orientation <sup>2</sup>	Voltage	Color Temp / Rendering	Finish
<b>VALS</b> - V-Locity Area Light Small	<b>6L</b> - 6,000 lms, 36W <b>9L</b> - 9,000 lms, 54W <b>12L</b> - 12,000 lms, 74W <b>15L</b> - 15,000 lms, 91W <b>18L</b> - 18,000 lms, 111W <b>21L</b> - 21,000 lms, 130W <b>24L</b> - 24,000 lms, 155W <b>27L</b> - 27,000 lms, 178W Custom Lumen Packages <sup>1</sup>	<b>2</b> - Type 2 <b>3M</b> - Type 3 Medium <b>3W</b> - Type 3 Wide <b>4M</b> - Type 4 Medium <b>4F</b> - Type 4 Forward <b>4W</b> - Type 4 Wide <b>FTM</b> - Forward Throw Medium <b>5QN</b> - Type 5 Square Narrow <b>5QM</b> - Type 5 Square Medium <b>5Q</b> - Type 5 Square <b>5QW</b> - Type 5 Square Wide <b>AM</b> - Automotive Merchandise <b>WF</b> - 6x6 Wide Flood <b>LC</b> - Left Corner <b>RC</b> - Right Corner	<b>(Blank)</b> - Standard <b>L</b> - Optics rotated left 90° <b>R</b> - Optics rotated right 90°	<b>UNV</b> - Universal Voltage (120-277V) <b>HV</b> - High Voltage (347-480V)	<b>50K7</b> - 5000 CCT - 70 CRI <b>50K8</b> - 5000 CCT - 80 CRI <b>40K7</b> - 4000 CCT - 70 CRI <b>40K8</b> - 4000 CCT - 80 CRI <b>35K8</b> - 3500 CCT - 80 CRI <b>30K8</b> - 3000 CCT - 80 CRI <b>27K8</b> - 2700 CCT - 80 CRI	<b>BLK</b> - Black <b>BRZ</b> - Dark Bronze <b>GMG</b> - Gun Metal Gray <b>GPT</b> - Graphite <b>MSV</b> - Metallic Silver <b>PLP</b> - Platinum Plus <b>SVG</b> - Satin Verde Green <b>WHT</b> - White

Mounting	Controls (Choose One)	Options
<b>SA</b> - Universal Side Arm Pole Mount <b>SF</b> - Adjustable Slip Fitter <b>UA</b> - Universal Adjustable Pole Mount Arm <b>MA</b> - Mast Arm	<b>(Blank)</b> - None <b>Wireless Controls System</b> <b>ALSC</b> - AirLink Synapse Control System <b>ALSCS2</b> - AirLink Synapse Control System with 12-20' MH Motion Sensor <b>ALSCS4</b> - AirLink Synapse Control System with 20-40' MH Motion Sensor  <b>ALBMR1LR</b> - AirLink Blue Long Range Wireless Multi-Range Sensor Controller (8-15' MH) <sup>4</sup> <b>ALBMR2LR</b> - AirLink Blue Long Range Wireless Multi-Range Sensor Controller (16-40' MH) <sup>4</sup>	<b>IS</b> - Integral Shield <sup>2</sup> <b>TE</b> - Toolless Entry (Mast Arm Only)  <b>Stand-Alone Controls</b> <b>EXT</b> - 0-10v Dimming leads extended to housing exterior  <b>CR7P</b> - 7 Pin Control Receptacle ANSI C136.41 <sup>3</sup>  <b>IMSBTL1</b> - Integral Bluetooth™ Motion and Photocell Sensor (8-24' MH) <sup>4</sup> <b>IMSBTL2</b> - Integral Bluetooth™ Motion and Photocell Sensor (25-40' MH) <sup>4</sup>  <b>PCIU</b> - 120-277 Button Photocell <b>PCI347</b> - 347V Button Photocell



Need more information?  
Click here for our glossary

Have additional questions?  
Call us at (800) 436-7800



## Accessory Ordering Information<sup>5</sup>

CONTROLS ACCESSORIES	
Description	Order Number
Twist Lock Photocell (120V) for use with CR7P	122514
Twist Lock Photocell (208-277) for use with CR7P	122515
Twist Lock Photocell (347V) for use with CR7P	122516
Twist Lock Photocell (480V) for use with CR7P	1225180
AirLink 5 Pin Twist Lock Controller	661409
AirLink 7 Pin Twist Lock Controller	661410
Shorting Cap for use with CR7P	149328

FUSING OPTIONS <sup>7</sup>	
Description	Order Number
Single Fusing (120V)	<a href="#">See Fusing Accessory Guide</a>
Single Fusing (277V)	
Double Fusing (208V, 240V)	
Double Fusing (480V)	
Double Fusing (347V)	

EXTERNAL SHIELDING OPTIONS	
Description	Order Number
1.5" External Shield	<a href="#">See Shielding Guide</a>
3" External Shield	<a href="#">Guide</a>

- Custom lumen and wattage packages available, consult factory. Values are within industry standard tolerances but not DLC listed.
- Not available on Type 5 or wide flood distributions.
- Control device or shorting cap must be ordered separately. See Accessory Ordering Information.
- Motion sensors are field configurable via the LSI app that can be downloaded from your smartphone's native app store.
- Accessories are shipped separately and field installed.
- "CLR" denotes finish. See Finish options.
- Fusing must be located in hand hole of pole. See [Fusing Accessory Guide](#) for compatibility.



## V-Locity Small (VALS) Outdoor LED Area Light

Type : \_\_\_\_\_

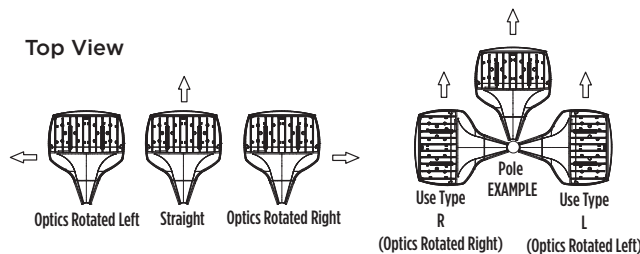
Have questions? Call us at (800) 436-7800

### ACCESSORIES

MOUNTING ACCESSORIES		SHIELDING, POLES & MISC. ACCESSORIES	
Side Arm	<b>Bullhorn Bracket</b> Mounts onto a 2" (51mm) IP, 2.375" (60mm) O.D. tenon and allows for mounting up to 4 adjustable slip fitter mount luminaires <b>Part Number: BKS PTB 2 CLR / BKS PTB 12 CLR (2 Luminaires)</b> <b>Part Number: BKS PTB 3-30 CLR / BKS PTB 13-30 CLR (3 Luminaires)</b> <b>Part Number: BKS PTB 4 CLR / BKS PTB 14 CLR (4 Luminaires)</b>		<b>Integral Shield for Asymmetric Distributions</b> Field Install Integral shield provides maximum backlight control by shielding each individual row of LEDs with minimal impact on Street/front side distribution (includes 2 shields) <b>Part Number: 839727</b>  <b>Integral Shield for Left and Right Corner Distributions</b> Field install integral shield provides cutoff from two sides for maximum spill light control when utilizing LC or RC corner distributions (includes 2 shields) <b>Part Number: TBD</b>  <b>External Shield</b> External shield blocks view of light source from anyside of luminaire, additional shielding configurations available <b>Part Number: 835696 (1.5") / 835694 (3")</b>
	<b>Flood Wall Mount Bracket</b> Mounts onto vertical wall surface (hardware/anchors not included) <b>Part Number: BKS FMW 5 CLR (5" Straight Version)</b> <b>Part Number: BKS FMW 18 CLR (18" Curved Version)</b>		
	<b>Bolt on Side Tenon Mount</b> Bolt on Side Tenon Mount <b>Part Number: BKSFB0 5 CLR (5" Straight Version)</b> <b>Part Number: BKSFB0 18 CLR (18" Curved Version)</b> <b>Part Number: BKSFB0 30 CLR (30" Dual Tenon Version)</b>		
Tenon / Slipfitter	<b>Square Tenon Top</b> Allows to seamlessly integrate LSI luminaires to open top 4", 5" or 6" square poles with 11 ga. Or 7 ga. wall thickness <b>Part Number: BKA ISF10 _SQ CLR</b>		<b>Square Poles</b> 14 - 39" steel and aluminum poles in 4", 5" and 6" sizes for retrofit and new construction <b>Part Number: 45Q/55Q/65Q</b>  <b>Round Poles</b> 10 - 30" steel and aluminum poles in 4" and 5" sizes for retrofit and new construction <b>Part Number: 4RP/SRP</b>  <b>Tapered Poles</b> 20" - 39" steel and aluminum poles for retrofit and new construction <b>Part Number: RTP</b>
	<b>Square Tenon Top</b> Mounts onto a 2" (51mm) IP, 2.375" (60mm) O.D. tenon and allows for mounting up to 4 luminaires <b>Part Number: BKA XMM *</b>		
	<b>Square Internal Slipfitter</b> Mounts inside 4" or 5" square pole and allows for mounting up to 4 luminaires <b>Part Number: BKA X_ISF * CLR</b>		
Wall Mount/Wood Pole	<b>Wall Mount Bracket</b> Mounts onto vertical wall surface ( hardware/anchors not included) <b>Part Number: BKS XBO WM CLR</b>		<b>Bird Spikes</b> 10' linear bird spike (3' recommended per luminaire) silicone adhesive (covers approximately 25' linear fee of bird spike) and application tool <b>Spike Part Number: 751631</b> <b>Adhesive Part Number: 751632</b> <b>Caulk Gun Part Number: 751636</b>
	<b>Wood Pole Bracket</b> Mounts onto wooden poles (6" minimum OD, hardware/anchors not included) <b>Part Number: BKS XBO WP CLR</b>		

- 1 Replace CLR with paint finish description
- 2 Replace XX with SQ for square pole or RD for round pole (≥3" OD)
- 3 Replace \* with S (Single), D180 (Double @180°), D90 (Double @90°), T90 (Triple), Q90 (Quad)
- 4 Replace \_ with 4 (4" square pole) or 5 (5" square pole)

### OPTICS ROTATION



### ACCESSORIES/OPTIONS

#### Integral Shield (IS)

Integral Shield (IS) available for improved backlight control without sacrificing Street side performance. LSI's Integral Shield (IS) option delivers backlight control that significantly reduces spill light behind the pole for applications with pole locations close to adjacent properties. The design maximizes forward reflected light while reducing glare, maintaining the optical distribution selected, and most importantly eliminating light trespass. Shields rotate with the optical distribution.



#### 7 Pin Photoelectric Control

7-pin ANSI C136.41-2013 control receptacle option available for twist lock photocontrols or wireless control modules. Control accessories sold separately. Dimming leads from the receptacle will be connected to the driver dimming leads (Consult factory for alternate wiring).





Date: 10/17/2024

Project:  
MARTIN STREET BUS  
TERMINAL

Description:  
VALS-15L-LC-UNV-50K7-BLK-SA-IS

Line Item#: 5  
Go to Bill of Materials

Type: C

Powered by 4submittal.com

# V-Locity Small (VALS) Outdoor LED Area Light

Type : \_\_\_\_\_

Have questions? Call us at (800) 436-7800

## PERFORMANCE

[Back to Quick Links](#)

Delivered Lumens (70 CRI)									
Lumen Package	Distribution	CRI	4000K CCT			5000K CCT			Wattage
			Delivered Lumens	Efficacy	BUG Rating	Delivered Lumens	Efficacy	BUG Rating	
6L	2	70	5,696	158	B1-U0-G3	5,709	157	B1-U0-G3	36
	3M		5,432	151	B1-U0-G2	5,444	150	B1-U0-G2	
	3W		5,148	143	B1-U0-G3	5,160	142	B1-U0-G3	
	4M		5,524	153	B1-U0-G2	5,537	152	B1-U0-G2	
	4F		5,251	146	B1-U0-G3	5,263	145	B1-U0-G3	
	4W		4,811	134	B1-U0-G3	4,822	133	B1-U0-G3	
	FTM		5,297	147	B1-U0-G2	5,309	146	B1-U0-G2	
	5QN		6,025	167	B2-U0-G1	6,038	166	B2-U0-G1	
	5QM		6,141	171	B3-U0-G1	6,155	169	B3-U0-G1	
	5Q		5,917	164	B3-U0-G1	5,931	163	B3-U0-G1	
	5QW		5,748	160	B3-U0-G2	5,761	159	B3-U0-G1	
	AM		5,908	164	B0-U0-G1	5,921	163	B0-U0-G1	
	WF		6,097	169	B2-U0-G0	6,111	168	B2-U0-G0	
	LC/RC		4,974	138	B1-U0-G3	4,985	137	B1-U0-G3	
9L	2	70	8,562	159	B2-U0-G3	8,581	159	B2-U0-G3	54
	3M		8,165	151	B1-U0-G3	8,184	152	B1-U0-G3	
	3W		7,739	143	B1-U0-G3	7,756	144	B1-U0-G3	
	4M		8,304	154	B1-U0-G3	8,323	154	B1-U0-G3	
	4F		7,894	146	B1-U0-G4	7,911	147	B1-U0-G3	
	4W		7,232	134	B1-U0-G3	7,248	134	B1-U0-G3	
	FTM		7,963	147	B1-U0-G2	7,981	148	B1-U0-G2	
	5QN		9,056	168	B3-U0-G1	9,077	168	B3-U0-G1	
	5QM		9,231	171	B3-U0-G2	9,252	171	B3-U0-G2	
	5Q		8,895	165	B3-U0-G2	8,915	165	B3-U0-G2	
	5QW		8,640	160	B4-U0-G2	8,659	160	B4-U0-G2	
	AM		8,880	164	B0-U0-G2	8,900	165	B0-U0-G2	
	WF		9,165	170	B3-U0-G0	9,186	170	B3-U0-G0	
	LC/RC		7,477	138	B1-U0-G3	7,494	139	B1-U0-G3	
12L	2	70	11,651	157	B2-U0-G3	11,677	158	B2-U0-G3	74
	3M		11,111	150	B1-U0-G3	11,136	151	B1-U0-G3	
	3W		10,531	142	B2-U0-G4	10,554	143	B2-U0-G4	
	4M		11,300	153	B1-U0-G3	11,325	153	B1-U0-G3	
	4F		10,741	145	B1-U0-G4	10,765	146	B1-U0-G4	
	4W		9,840	133	B1-U0-G3	9,862	133	B1-U0-G3	
	FTM		10,835	146	B1-U0-G3	10,859	147	B1-U0-G3	
	5QN		12,323	167	B3-U0-G1	12,351	167	B3-U0-G1	
	5QM		12,561	170	B4-U0-G2	12,589	170	B4-U0-G2	
	5Q		12,104	164	B4-U0-G2	12,131	164	B4-U0-G2	
	5QW		11,757	159	B4-U0-G2	11,783	159	B4-U0-G2	
	AM		12,083	163	B1-U0-G2	12,111	164	B1-U0-G2	
	WF		12,471	169	B3-U0-G1	12,499	169	B3-U0-G1	
	LC/RC		10,175	137	B2-U0-G3	10,197	138	B2-U0-G3	



Date: 10/17/2024

Project:  
MARTIN STREET BUS  
TERMINAL

Description:  
VALS-15L-LC-UNV-50K7-BLK-SA-IS

Line Item#: 5  
Go to Bill of Materials

Type: C

Powered by 4submittal.com

## V-Locity Small (VALS) Outdoor LED Area Light

Type : \_\_\_\_\_

Have questions? Call us at (800) 436-7800

### PERFORMANCE

[Back to Quick Links](#)

Delivered Lumens (70 CRI)									
Lumen Package	Distribution	CRI	4000K CCT			5000K CCT			Wattage
			Delivered Lumens	Efficacy	BUG Rating	Delivered Lumens	Efficacy	BUG Rating	
15L	2	70	14,118	155	B2-U0-G4	14,150	156	B2-U0-G4	91
	3M		13,464	148	B1-U0-G3	13,494	149	B1-U0-G3	
	3W		12,761	140	B2-U0-G4	12,789	141	B2-U0-G4	
	4M		13,693	150	B1-U0-G3	13,724	151	B1-U0-G3	
	4F		13,016	143	B2-U0-G5	13,045	144	B1-U0-G5	
	4W		11,924	131	B1-U0-G4	11,951	132	B1-U0-G4	
	FTM		13,130	144	B1-U0-G3	13,159	145	B1-U0-G3	
	5QN		14,933	164	B3-U0-G2	14,966	165	B3-U0-G2	
	5QM		15,221	167	B4-U0-G2	15,255	168	B4-U0-G2	
	5Q		14,667	161	B4-U0-G2	14,699	162	B4-U0-G2	
	5QW		14,246	157	B4-U0-G2	14,278	158	B4-U0-G2	
	AM		14,642	161	B1-U0-G2	14,675	162	B1-U0-G2	
	WF		15,112	166	B3-U0-G1	15,146	167	B3-U0-G1	
	LC/RC		12,329	135	B2-U0-G4	12,357	136	B2-U0-G4	
18L	2	70	17,086	154	B3-U0-G4	17,124	154	B3-U0-G4	111
	3M		16,294	147	B2-U0-G4	16,331	147	B2-U0-G4	
	3W		15,443	139	B2-U0-G5	15,477	139	B2-U0-G5	
	4M		16,571	149	B1-U0-G4	16,608	150	B1-U0-G4	
	4F		15,751	142	B2-U0-G5	15,786	142	B2-U0-G5	
	4W		14,430	130	B2-U0-G4	14,462	130	B2-U0-G4	
	FTM		15,889	143	B1-U0-G3	15,925	144	B1-U0-G3	
	5QN		18,072	163	B4-U0-G2	18,112	163	B3-U0-G2	
	5QM		18,420	166	B4-U0-G2	18,461	166	B4-U0-G2	
	5Q		17,749	160	B4-U0-G2	17,789	160	B4-U0-G2	
	5QW		17,241	155	B5-U0-G3	17,279	156	B5-U0-G3	
	AM		17,720	160	B1-U0-G2	17,760	160	B1-U0-G2	
	WF		18,289	165	B4-U0-G1	18,330	165	B4-U0-G1	
	LC/RC		14,920	134	B2-U0-G4	14,954	135	B2-U0-G4	



Date: 10/17/2024

Project:  
MARTIN STREET BUS  
TERMINAL

Description:  
VALS-15L-LC-UNV-50K7-BLK-SA-IS

Line Item#: 5  
Go to Bill of Materials

Type: C

Powered by 4submittal.com

# V-Locity Small (VALS) Outdoor LED Area Light

Type : \_\_\_\_\_

Have questions? Call us at (800) 436-7800

## PERFORMANCE

[Back to Quick Links](#)

Delivered Lumens (70 CRI)									
Lumen Package	Distribution	CRI	4000K CCT			5000K CCT			Wattage
			Delivered Lumens	Efficacy	BUG Rating	Delivered Lumens	Efficacy	BUG Rating	
21L	2	70	19,582	151	B3-U0-G5	19,625	151	B3-U0-G5	130
	3M		18,674	144	B2-U0-G4	18,716	144	B2-U0-G4	
	3W		17,699	136	B3-U0-G5	17,738	136	B3-U0-G5	
	4M		18,992	146	B1-U0-G4	19,034	146	B1-U0-G4	
	4F		18,053	139	B2-U0-G5	18,093	139	B2-U0-G5	
	4W		16,538	127	B2-U0-G5	16,575	127	B2-U0-G5	
	FTM		18,210	140	B1-U0-G3	18,251	140	B1-U0-G3	
	5QN		20,712	159	B4-U0-G2	20,758	159	B4-U0-G2	
	5QM		21,111	162	B5-U0-G3	21,158	162	B5-U0-G3	
	5Q		20,342	156	B5-U0-G3	20,388	156	B5-U0-G3	
	5QW		19,759	152	B5-U0-G3	19,804	152	B5-U0-G3	
	AM		20,308	156	B1-U0-G2	20,354	156	B1-U0-G2	
	WF		20,960	161	B4-U0-G1	21,007	161	B4-U0-G1	
	LC/RC		17,100	132	B3-U0-G5	17,138	132	B3-U0-G5	
24L	2	70	22,609	146	B3-U0-G5	22,660	146	B3-U0-G5	155
	3M		21,561	139	B2-U0-G4	21,610	139	B2-U0-G4	
	3W		20,435	132	B3-U0-G5	20,480	132	B3-U0-G5	
	4M		21,928	141	B1-U0-G5	21,977	142	B1-U0-G5	
	4F		20,844	134	B2-U0-G5	20,890	135	B2-U0-G5	
	4W		19,095	123	B2-U0-G5	19,138	123	B2-U0-G5	
	FTM		21,026	136	B1-U0-G4	21,073	136	B1-U0-G4	
	5QN		23,914	154	B4-U0-G2	23,967	154	B4-U0-G2	
	5QM		24,375	157	B5-U0-G3	24,430	157	B5-U0-G3	
	5Q		23,487	152	B5-U0-G3	23,540	152	B5-U0-G3	
	5QW		22,815	147	B5-U0-G3	22,865	147	B5-U0-G3	
	AM		23,448	151	B1-U0-G2	23,501	151	B1-U0-G2	
	WF		24,201	156	B4-U0-G1	24,255	156	B4-U0-G1	
	LC/RC		19,744	127	B3-U0-G5	19,788	127	B3-U0-G5	
27L	2	70	25,235	142	B3-U0-G5	25,292	142	B3-U0-G5	178
	3M		24,066	135	B2-U0-G5	24,120	136	B2-U0-G5	
	3W		22,808	128	B3-U0-G5	22,859	129	B3-U0-G5	
	4M		24,475	137	B2-U0-G5	24,530	138	B2-U0-G5	
	4F		23,265	131	B2-U0-G5	23,316	131	B2-U0-G5	
	4W		21,313	120	B2-U0-G5	21,361	121	B2-U0-G5	
	FTM		23,468	132	B2-U0-G4	23,521	133	B2-U0-G4	
	5QN		26,691	150	B4-U0-G2	26,751	151	B4-U0-G2	
	5QM		27,206	153	B5-U0-G3	27,267	153	B5-U0-G3	
	5Q		26,215	147	B5-U0-G3	26,274	148	B5-U0-G3	
	5QW		25,464	143	B5-U0-G4	25,521	144	B5-U0-G4	
	AM		26,172	147	B1-U0-G3	26,231	148	B1-U0-G3	
	WF		27,012	152	B5-U0-G1	27,073	152	B4-U0-G1	
	LC/RC		22,037	124	B3-U0-G5	22,086	125	B3-U0-G5	







Date: 10/17/2024

Project:  
MARTIN STREET BUS  
TERMINAL

Description:  
VALS-15L-LC-UNV-50K7-BLK-SA-IS

Line Item#: 5  
Go to Bill of Materials

Type: C

Powered by 4submittal.com

# V-Locity Small (VALS) Outdoor LED Area Light

Type : \_\_\_\_\_

Have questions? Call us at (800) 436-7800

## PERFORMANCE

[Back to Quick Links](#)

Delivered Lumens (80 CRI)												
Lumen Package	Distribution	CRI	2700K CCT / 80 CRI			3000K CCT / 80 CRI			3500K CCT / 80 CRI			Wattage
			Delivered Lumens	Efficacy	BUG Rating	Delivered Lumens	Efficacy	BUG Rating	Delivered Lumens	Efficacy	BUG Rating	
6L	2	80	4,843	133	B1-U0-G2	4,985	137	B1-U0-G2	5,009	138	B1-U0-G2	36
	3M		4,619	127	B1-U0-G2	4,754	131	B1-U0-G2	4,777	131	B1-U0-G2	
	3W		4,377	120	B1-U0-G3	4,505	124	B1-U0-G3	4,527	125	B1-U0-G3	
	4M		4,697	129	B0-U0-G2	4,835	133	B0-U0-G2	4,858	134	B0-U0-G2	
	4F		4,465	123	B1-U0-G3	4,595	126	B1-U0-G3	4,618	127	B1-U0-G3	
	4W		4,090	113	B1-U0-G2	4,210	116	B1-U0-G2	4,230	116	B1-U0-G2	
	FTM		4,504	124	B0-U0-G2	4,636	128	B0-U0-G2	4,658	128	B0-U0-G2	
	5QN		5,122	141	B2-U0-G0	5,272	145	B2-U0-G1	5,298	146	B2-U0-G0	
	5QM		5,221	144	B3-U0-G1	5,374	148	B3-U0-G1	5,400	149	B3-U0-G1	
	5Q		5,031	138	B3-U0-G1	5,178	143	B3-U0-G1	5,203	143	B3-U0-G1	
	5QW		4,887	134	B3-U0-G1	5,030	138	B3-U0-G1	5,054	139	B3-U0-G1	
	AM		5,023	138	B0-U0-G1	5,170	142	B0-U0-G1	5,195	143	B0-U0-G1	
	WF		5,184	143	B2-U0-G0	5,336	147	B2-U0-G0	5,362	148	B2-U0-G0	
	LC/RC		4,229	116	B1-U0-G2	4,353	120	B1-U0-G2	4,374	120	B1-U0-G2	
9L	2	80	7,280	135	B1-U0-G3	7,493	139	B1-U0-G3	7,529	139	B1-U0-G3	54
	3M		6,943	129	B1-U0-G2	7,146	132	B1-U0-G2	7,181	133	B1-U0-G2	
	3W		6,580	122	B1-U0-G3	6,772	125	B1-U0-G3	6,805	126	B1-U0-G3	
	4M		7,061	131	B1-U0-G3	7,267	135	B1-U0-G3	7,303	135	B1-U0-G3	
	4F		6,711	124	B1-U0-G3	6,908	128	B1-U0-G3	6,941	129	B1-U0-G3	
	4W		6,148	114	B1-U0-G3	6,328	117	B1-U0-G3	6,359	118	B1-U0-G3	
	FTM		6,770	125	B1-U0-G2	6,968	129	B1-U0-G2	7,002	130	B1-U0-G2	
	5QN		7,700	143	B2-U0-G1	7,925	147	B3-U0-G1	7,964	148	B2-U0-G1	
	5QM		7,848	145	B3-U0-G2	8,078	150	B3-U0-G2	8,117	150	B3-U0-G2	
	5Q		7,562	140	B3-U0-G2	7,784	144	B3-U0-G2	7,822	145	B3-U0-G2	
	5QW		7,346	136	B3-U0-G2	7,561	140	B3-U0-G2	7,598	141	B3-U0-G2	
	AM		7,550	140	B0-U0-G1	7,771	144	B0-U0-G1	7,809	145	B0-U0-G1	
	WF		7,792	144	B3-U0-G0	8,020	149	B3-U0-G0	8,060	149	B3-U0-G0	
	LC/RC		6,357	118	B1-U0-G3	6,543	121	B1-U0-G3	6,575	122	B1-U0-G3	
12L	2	80	9,906	134	B2-U0-G3	10,196	138	B2-U0-G3	10,245	139	B2-U0-G3	74
	3M		9,447	128	B1-U0-G3	9,723	132	B1-U0-G3	9,771	132	B1-U0-G3	
	3W		8,953	121	B2-U0-G3	9,215	125	B2-U0-G4	9,260	125	B2-U0-G3	
	4M		9,608	130	B1-U0-G3	9,889	134	B1-U0-G3	9,937	134	B1-U0-G3	
	4F		9,132	124	B1-U0-G4	9,399	127	B1-U0-G4	9,445	128	B1-U0-G4	
	4W		8,366	113	B1-U0-G3	8,611	117	B1-U0-G3	8,653	117	B1-U0-G3	
	FTM		9,212	125	B1-U0-G3	9,482	128	B1-U0-G3	9,528	129	B1-U0-G3	
	5QN		10,477	142	B3-U0-G1	10,784	146	B3-U0-G1	10,837	147	B3-U0-G1	
	5QM		10,680	145	B4-U0-G2	10,992	149	B4-U0-G2	11,046	149	B4-U0-G2	
	5Q		10,291	139	B4-U0-G2	10,592	143	B4-U0-G2	10,643	144	B4-U0-G2	
	5QW		9,996	135	B4-U0-G2	10,288	139	B4-U0-G2	10,338	140	B4-U0-G2	
	AM		10,274	139	B1-U0-G2	10,574	143	B1-U0-G2	10,626	144	B1-U0-G2	
	WF		10,603	144	B3-U0-G0	10,914	148	B3-U0-G0	10,967	148	B3-U0-G0	
	LC/RC		8,651	117	B2-U0-G3	8,904	121	B2-U0-G3	8,947	121	B2-U0-G3	



Date: 10/17/2024

Project:  
MARTIN STREET BUS  
TERMINAL

Description:  
VALS-15L-LC-UNV-50K7-BLK-SA-IS

Line Item#: 5  
Go to Bill of Materials

Type: C

Powered by 4submittal.com

# V-Locity Small (VALS) Outdoor LED Area Light

Type : \_\_\_\_\_

Have questions? Call us at (800) 436-7800

## PERFORMANCE

[Back to Quick Links](#)

Delivered Lumens (80 CRI)									
Lumen Package	Distribution	CRI	4000K CCT / 80 CRI			5000K CCT / 80 CRI			Wattage
			Delivered Lumens	Efficacy	BUG Rating	Delivered Lumens	Efficacy	BUG Rating	
6L	2	80	5,219	144	B1-U0-G2	5,330	147	B1-U0-G2	36
	3M		4,978	137	B1-U0-G2	5,083	140	B1-U0-G2	
	3W		4,717	130	B1-U0-G3	4,818	133	B1-U0-G3	
	4M		5,062	139	B0-U0-G2	5,170	142	B0-U0-G2	
	4F		4,812	132	B1-U0-G3	4,914	135	B1-U0-G3	
	4W		4,408	121	B1-U0-G2	4,502	124	B1-U0-G2	
	FTM		4,854	134	B0-U0-G2	4,957	136	B0-U0-G2	
	5QN		5,521	152	B2-U0-G1	5,638	155	B2-U0-G1	
	5QM		5,627	155	B3-U0-G1	5,747	158	B3-U0-G1	
	5Q		5,422	149	B3-U0-G1	5,537	152	B3-U0-G1	
	5QW		5,267	145	B3-U0-G1	5,379	148	B3-U0-G1	
	AM		5,413	149	B0-U0-G1	5,528	152	B0-U0-G1	
	WF		5,587	154	B2-U0-G0	5,706	157	B2-U0-G0	
	LC/RC		4,558	125	B1-U0-G2	4,655	128	B1-U0-G2	
9L	2	80	7,846	145	B1-U0-G3	8,012	148	B1-U0-G3	54
	3M		7,482	139	B1-U0-G3	7,641	142	B1-U0-G3	
	3W		7,091	131	B1-U0-G3	7,242	134	B1-U0-G3	
	4M		7,609	141	B1-U0-G3	7,771	144	B1-U0-G3	
	4F		7,233	134	B1-U0-G3	7,387	137	B1-U0-G3	
	4W		6,626	123	B1-U0-G3	6,767	125	B1-U0-G3	
	FTM		7,296	135	B1-U0-G2	7,451	138	B1-U0-G2	
	5QN		8,298	154	B3-U0-G1	8,475	157	B3-U0-G1	
	5QM		8,458	157	B3-U0-G2	8,638	160	B3-U0-G2	
	5Q		8,150	151	B3-U0-G2	8,324	154	B3-U0-G2	
	5QW		7,917	147	B3-U0-G2	8,085	150	B3-U0-G2	
	AM		8,137	151	B0-U0-G1	8,310	154	B0-U0-G1	
	WF		8,398	156	B3-U0-G0	8,577	159	B3-U0-G0	
	LC/RC		6,851	127	B1-U0-G3	6,997	130	B1-U0-G3	
12L	2	80	10,676	144	B2-U0-G3	10,903	148	B2-U0-G3	74
	3M		10,181	138	B1-U0-G3	10,398	141	B1-U0-G3	
	3W		9,649	131	B2-U0-G4	9,854	133	B2-U0-G4	
	4M		10,354	140	B1-U0-G3	10,574	143	B1-U0-G3	
	4F		9,842	133	B1-U0-G4	10,051	136	B1-U0-G4	
	4W		9,017	122	B1-U0-G3	9,208	125	B1-U0-G3	
	FTM		9,928	134	B1-U0-G3	10,139	137	B1-U0-G3	
	5QN		11,292	153	B3-U0-G1	11,532	156	B3-U0-G1	
	5QM		11,510	156	B4-U0-G2	11,754	159	B4-U0-G2	
	5Q		11,090	150	B4-U0-G2	11,326	153	B4-U0-G2	
	5QW		10,773	146	B4-U0-G2	11,002	149	B4-U0-G2	
	AM		11,072	150	B1-U0-G2	11,308	153	B1-U0-G2	
	WF		11,428	155	B3-U0-G0	11,671	158	B3-U0-G0	
	LC/RC		9,323	126	B2-U0-G3	9,521	129	B2-U0-G3	



Date: 10/17/2024

Project:  
MARTIN STREET BUS  
TERMINAL

Description:  
VALS-15L-LC-UNV-50K7-BLK-SA-IS

Line Item#: 5  
Go to Bill of Materials

Type: C

Powered by 4submittal.com

# V-Locity Small (VALS) Outdoor LED Area Light

Type : \_\_\_\_\_

Have questions? Call us at (800) 436-7800

## PERFORMANCE

[Back to Quick Links](#)

Delivered Lumens (80 CRI)												
Lumen Package	Distribution	CRI	2700K CCT / 80 CRI			3000K CCT / 80 CRI			3500K CCT / 80 CRI			Wattage
			Delivered Lumens	Efficacy	BUG Rating	Delivered Lumens	Efficacy	BUG Rating	Delivered Lumens	Efficacy	BUG Rating	
15L	2	80	12,004	132	B2-U0-G3	12,355	136	B2-U0-G3	12,415	137	B2-U0-G3	91
	3M		11,448	126	B1-U0-G3	11,783	130	B1-U0-G3	11,840	131	B1-U0-G3	
	3W		10,849	120	B2-U0-G4	11,167	123	B2-U0-G4	11,221	124	B2-U0-G4	
	4M		11,642	128	B1-U0-G3	11,983	132	B1-U0-G3	12,041	133	B1-U0-G3	
	4F		11,066	122	B1-U0-G4	11,390	126	B1-U0-G4	11,445	126	B1-U0-G4	
	4W		10,138	112	B1-U0-G3	10,435	115	B1-U0-G3	10,486	116	B1-U0-G3	
	FTM		11,163	123	B1-U0-G3	11,490	127	B1-U0-G3	11,546	127	B1-U0-G3	
	5QN		12,696	140	B3-U0-G1	13,068	144	B3-U0-G1	13,131	145	B3-U0-G1	
	5QM		12,941	143	B4-U0-G2	13,320	147	B4-U0-G2	13,385	148	B4-U0-G2	
	5Q		12,470	138	B4-U0-G2	12,835	142	B4-U0-G2	12,897	142	B4-U0-G2	
	5QW		12,113	134	B4-U0-G2	12,467	138	B4-U0-G2	12,528	138	B4-U0-G2	
	AM		12,449	137	B1-U0-G2	12,814	141	B1-U0-G2	12,876	142	B1-U0-G2	
	WF		12,849	142	B3-U0-G1	13,225	146	B3-U0-G1	13,289	147	B3-U0-G1	
	LC/RC		10,482	116	B2-U0-G3	10,789	119	B2-U0-G4	10,842	120	B2-U0-G3	
18L	2	80	14,526	131	B2-U0-G4	14,952	135	B2-U0-G4	15,024	135	B2-U0-G4	111
	3M		13,853	125	B1-U0-G3	14,259	129	B1-U0-G3	14,328	129	B1-U0-G3	
	3W		13,129	118	B2-U0-G4	13,514	122	B2-U0-G5	13,579	122	B2-U0-G4	
	4M		14,089	127	B1-U0-G3	14,501	131	B1-U0-G3	14,572	131	B1-U0-G3	
	4F		13,392	121	B1-U0-G5	13,784	124	B2-U0-G5	13,851	125	B1-U0-G5	
	4W		12,269	111	B1-U0-G4	12,628	114	B1-U0-G4	12,689	114	B1-U0-G4	
	FTM		13,509	122	B1-U0-G3	13,905	125	B1-U0-G3	13,972	126	B1-U0-G3	
	5QN		15,365	138	B3-U0-G2	15,814	143	B3-U0-G2	15,891	143	B3-U0-G2	
	5QM		15,661	141	B4-U0-G2	16,119	145	B4-U0-G2	16,198	146	B4-U0-G2	
	5Q		15,091	136	B4-U0-G2	15,532	140	B4-U0-G2	15,608	141	B4-U0-G2	
	5QW		14,658	132	B4-U0-G2	15,087	136	B4-U0-G2	15,161	137	B4-U0-G2	
	AM		15,066	136	B1-U0-G2	15,507	140	B1-U0-G2	15,582	140	B1-U0-G2	
	WF		15,549	140	B3-U0-G1	16,004	144	B3-U0-G1	16,082	145	B3-U0-G1	
	LC/RC		12,685	114	B2-U0-G4	13,057	118	B2-U0-G4	13,120	118	B2-U0-G4	
21L	2	80	16,649	128	B2-U0-G4	17,136	131	B2-U0-G4	17,219	132	B2-U0-G4	130
	3M		15,877	122	B2-U0-G3	16,342	125	B2-U0-G4	16,422	126	B2-U0-G3	
	3W		15,047	115	B2-U0-G5	15,488	119	B2-U0-G5	15,563	119	B2-U0-G5	
	4M		16,147	124	B1-U0-G4	16,620	128	B1-U0-G4	16,701	128	B1-U0-G4	
	4F		15,348	118	B2-U0-G5	15,797	121	B2-U0-G5	15,874	122	B2-U0-G5	
	4W		14,061	108	B2-U0-G4	14,473	111	B2-U0-G4	14,543	112	B2-U0-G4	
	FTM		15,483	119	B1-U0-G3	15,936	122	B1-U0-G3	16,014	123	B1-U0-G3	
	5QN		17,609	135	B3-U0-G2	18,125	139	B3-U0-G2	18,213	140	B3-U0-G2	
	5QM		17,949	138	B4-U0-G2	18,474	142	B4-U0-G2	18,564	142	B4-U0-G2	
	5Q		17,295	133	B4-U0-G2	17,801	137	B4-U0-G2	17,888	137	B4-U0-G2	
	5QW		16,800	129	B5-U0-G3	17,291	133	B5-U0-G3	17,376	133	B5-U0-G3	
	AM		17,267	133	B1-U0-G2	17,772	136	B1-U0-G2	17,859	137	B1-U0-G2	
	WF		17,821	137	B4-U0-G1	18,343	141	B4-U0-G1	18,432	141	B4-U0-G1	
	LC/RC		14,539	112	B2-U0-G4	14,964	115	B2-U0-G4	15,037	115	B2-U0-G4	





Date: 10/17/2024

Project:  
MARTIN STREET BUS  
TERMINAL

Description:  
VALS-15L-LC-UNV-50K7-BLK-SA-IS

Line Item#: 5  
Go to Bill of Materials

Type: C

Powered by 4submittal.com

# V-Locity Small (VALS) Outdoor LED Area Light

Type : \_\_\_\_\_

Have questions? Call us at (800) 436-7800

## PERFORMANCE

[Back to Quick Links](#)

Delivered Lumens (80 CRI)									
Lumen Package	Distribution	CRI	4000K CCT / 80 CRI			5000K CCT / 80 CRI			Wattage
			Delivered Lumens	Efficacy	BUG Rating	Delivered Lumens	Efficacy	BUG Rating	
15L	2	80	12,937	143	B2-U0-G4	13,212	146	B2-U0-G4	91
	3M		12,337	136	B1-U0-G3	12,600	139	B1-U0-G3	
	3W		11,692	129	B2-U0-G4	11,941	132	B2-U0-G4	
	4M		12,547	138	B1-U0-G3	12,814	141	B1-U0-G3	
	4F		11,926	132	B1-U0-G4	12,180	134	B1-U0-G4	
	4W		10,926	121	B1-U0-G4	11,158	123	B1-U0-G4	
	FTM		12,031	133	B1-U0-G3	12,287	136	B1-U0-G3	
	5QN		13,683	151	B3-U0-G1	13,974	154	B3-U0-G1	
	5QM		13,947	154	B4-U0-G2	14,244	157	B4-U0-G2	
	5Q		13,439	148	B4-U0-G2	13,725	151	B4-U0-G2	
	5QW		13,054	144	B4-U0-G2	13,332	147	B4-U0-G2	
	AM		13,417	148	B1-U0-G2	13,702	151	B1-U0-G2	
	WF		13,848	153	B3-U0-G1	14,142	156	B3-U0-G1	
	LC/RC		11,297	125	B2-U0-G4	11,537	127	B2-U0-G4	
18L	2	80	15,656	141	B2-U0-G4	15,988	144	B2-U0-G4	111
	3M		14,930	135	B1-U0-G3	15,248	137	B1-U0-G3	
	3W		14,150	128	B2-U0-G5	14,451	130	B2-U0-G5	
	4M		15,184	137	B1-U0-G4	15,507	140	B1-U0-G4	
	4F		14,433	130	B2-U0-G5	14,740	133	B2-U0-G5	
	4W		13,222	119	B1-U0-G4	13,503	122	B1-U0-G4	
	FTM		14,559	131	B1-U0-G3	14,869	134	B1-U0-G3	
	5QN		16,559	149	B3-U0-G2	16,911	152	B3-U0-G2	
	5QM		16,878	152	B4-U0-G2	17,237	155	B4-U0-G2	
	5Q		16,264	147	B4-U0-G2	16,609	150	B4-U0-G2	
	5QW		15,798	142	B4-U0-G3	16,133	145	B4-U0-G3	
	AM		16,237	146	B1-U0-G2	16,582	149	B1-U0-G2	
	WF		16,758	151	B4-U0-G1	17,114	154	B4-U0-G1	
	LC/RC		13,672	123	B2-U0-G4	13,962	126	B2-U0-G4	
21L	2	80	17,943	138	B3-U0-G4	18,324	141	B3-U0-G4	130
	3M		17,112	131	B2-U0-G4	17,475	134	B2-U0-G4	
	3W		16,217	124	B2-U0-G5	16,562	127	B2-U0-G5	
	4M		17,402	134	B1-U0-G4	17,772	136	B1-U0-G4	
	4F		16,541	127	B2-U0-G5	16,893	130	B2-U0-G5	
	4W		15,154	116	B2-U0-G4	15,476	119	B2-U0-G4	
	FTM		16,686	128	B1-U0-G3	17,041	131	B1-U0-G3	
	5QN		18,978	146	B3-U0-G2	19,381	149	B3-U0-G2	
	5QM		19,344	148	B4-U0-G2	19,755	152	B4-U0-G2	
	5Q		18,639	143	B4-U0-G2	19,036	146	B4-U0-G2	
	5QW		18,106	139	B5-U0-G3	18,490	142	B5-U0-G3	
	AM		18,609	143	B1-U0-G2	19,005	146	B1-U0-G2	
	WF		19,206	147	B4-U0-G1	19,615	151	B4-U0-G1	
	LC/RC		15,669	120	B2-U0-G4	16,002	123	B2-U0-G4	



Date: 10/17/2024

Project:  
MARTIN STREET BUS  
TERMINAL

Description:  
VALS-15L-LC-UNV-50K7-BLK-SA-IS

Line Item#: 5  
Go to Bill of Materials

Type: C

Powered by 4submittal.com

# V-Locity Small (VALS) Outdoor LED Area Light

Type : \_\_\_\_\_

Have questions? Call us at (800) 436-7800

## PERFORMANCE

[Back to Quick Links](#)

Delivered Lumens (80 CRI)												
Lumen Package	Distribution	CRI	2700K CCT / 80 CRI			3000K CCT / 80 CRI			3500K CCT / 80 CRI			Wattage
			Delivered Lumens	Efficacy	BUG Rating	Delivered Lumens	Efficacy	BUG Rating	Delivered Lumens	Efficacy	BUG Rating	
24L	2	80	19,223	124	B3-U0-G5	19,785	127	B3-U0-G5	19,882	128	B3-U0-G5	155
	3M		18,332	118	B2-U0-G4	18,869	122	B2-U0-G4	18,961	122	B2-U0-G4	
	3W		17,374	112	B3-U0-G5	17,882	115	B3-U0-G5	17,970	116	B3-U0-G5	
	4M		18,644	120	B1-U0-G4	19,189	124	B1-U0-G4	19,283	124	B1-U0-G4	
	4F		17,721	114	B2-U0-G5	18,240	117	B2-U0-G5	18,329	118	B2-U0-G5	
	4W		16,235	105	B2-U0-G5	16,710	108	B2-U0-G5	16,792	108	B2-U0-G5	
	FTM		17,877	115	B1-U0-G3	18,400	119	B1-U0-G3	18,489	119	B1-U0-G3	
	5QN		20,332	131	B4-U0-G2	20,927	135	B4-U0-G2	21,029	135	B4-U0-G2	
	5QM		20,724	133	B4-U0-G2	21,331	137	B5-U0-G3	21,435	138	B5-U0-G3	
	5Q		19,969	129	B5-U0-G3	20,554	132	B5-U0-G3	20,654	133	B5-U0-G3	
	5QW		19,397	125	B5-U0-G3	19,965	129	B5-U0-G3	20,062	129	B5-U0-G3	
	AM		19,936	128	B1-U0-G2	20,520	132	B1-U0-G2	20,620	133	B1-U0-G2	
	WF		20,576	133	B4-U0-G1	21,178	136	B4-U0-G1	21,282	137	B4-U0-G1	
LC/RC	16,787	108	B2-U0-G5	17,278	111	B3-U0-G5	17,362	112	B3-U0-G5			
27L	2	80	21,455	121	B3-U0-G5	22,083	124	B3-U0-G5	22,191	125	B3-U0-G5	178
	3M		20,461	116	B2-U0-G4	21,060	119	B2-U0-G4	21,163	120	B2-U0-G4	
	3W		19,392	110	B3-U0-G5	19,959	113	B3-U0-G5	20,057	113	B3-U0-G5	
	4M		20,809	117	B1-U0-G4	21,418	121	B1-U0-G4	21,522	121	B1-U0-G4	
	4F		19,779	111	B2-U0-G5	20,358	115	B2-U0-G5	20,458	115	B2-U0-G5	
	4W		18,121	103	B2-U0-G5	18,651	106	B2-U0-G5	18,742	106	B2-U0-G5	
	FTM		19,953	113	B1-U0-G4	20,537	116	B1-U0-G4	20,637	117	B1-U0-G4	
	5QN		22,693	128	B4-U0-G2	23,357	132	B4-U0-G2	23,471	133	B4-U0-G2	
	5QM		23,131	130	B5-U0-G3	23,808	134	B5-U0-G3	23,924	135	B5-U0-G3	
	5Q		22,288	126	B5-U0-G3	22,941	130	B5-U0-G3	23,053	130	B5-U0-G3	
	5QW		21,650	122	B5-U0-G3	22,284	126	B5-U0-G3	22,392	127	B5-U0-G3	
	AM		22,252	126	B1-U0-G2	22,903	130	B1-U0-G2	23,015	130	B1-U0-G2	
	WF		22,966	129	B4-U0-G1	23,638	133	B4-U0-G1	23,753	134	B4-U0-G1	
LC/RC	18,736	106	B3-U0-G5	19,285	109	B3-U0-G5	19,379	110	B3-U0-G5			

# V-Locity Small (VALS) Outdoor LED Area Light

Type : \_\_\_\_\_

Have questions? Call us at (800) 436-7800

## PERFORMANCE

[Back to Quick Links](#)

Delivered Lumens (80 CRI)									
Lumen Package	Distribution	CRI	4000K CCT / 80 CRI			5000K CCT / 80 CRI			Wattage
			Delivered Lumens	Efficacy	BUG Rating	Delivered Lumens	Efficacy	BUG Rating	
24L	2	80	20,717	133	B3-U0-G5	21,157	136	B3-U0-G5	155
	3M		19,757	127	B2-U0-G4	20,177	130	B2-U0-G4	
	3W		18,724	121	B3-U0-G5	19,122	123	B3-U0-G5	
	4M		20,093	129	B1-U0-G4	20,520	132	B1-U0-G4	
	4F		19,099	123	B2-U0-G5	19,505	126	B2-U0-G5	
	4W		17,497	113	B2-U0-G5	17,869	115	B2-U0-G5	
	FTM		19,266	124	B1-U0-G3	19,676	127	B1-U0-G3	
	50N		21,912	141	B4-U0-G2	22,378	144	B4-U0-G2	
	50M		22,335	144	B5-U0-G3	22,810	147	B5-U0-G3	
	5Q		21,521	139	B5-U0-G3	21,979	142	B5-U0-G3	
	50W		20,905	135	B5-U0-G3	21,349	138	B5-U0-G3	
	AM		21,486	138	B1-U0-G2	21,943	141	B1-U0-G2	
	WF		22,176	143	B4-U0-G1	22,647	146	B4-U0-G1	
	LC/RC		18,091	117	B3-U0-G5	18,476	119	B3-U0-G5	
27L	2	80	23,123	130	B3-U0-G5	23,615	133	B3-U0-G5	178
	3M		22,052	125	B2-U0-G4	22,521	127	B2-U0-G4	
	3W		20,899	118	B3-U0-G5	21,343	121	B3-U0-G5	
	4M		22,427	126	B1-U0-G5	22,903	129	B1-U0-G5	
	4F		21,317	120	B2-U0-G5	21,770	123	B2-U0-G5	
	4W		19,529	111	B2-U0-G5	19,944	113	B2-U0-G5	
	FTM		21,504	122	B1-U0-G4	21,961	124	B1-U0-G4	
	50N		24,457	138	B4-U0-G2	24,977	141	B4-U0-G2	
	50M		24,929	140	B5-U0-G3	25,459	143	B5-U0-G3	
	5Q		24,021	136	B5-U0-G3	24,532	138	B5-U0-G3	
	50W		23,333	132	B5-U0-G3	23,829	135	B5-U0-G3	
	AM		23,982	136	B1-U0-G2	24,491	138	B1-U0-G2	
	WF		24,751	139	B4-U0-G1	25,277	142	B4-U0-G1	
	LC/RC		20,193	115	B3-U0-G5	20,622	117	B3-U0-G5	

Electrical Data (Amps) <sup>1</sup>							
Lumen Package	120V	208V	240V	277V	347V	480V	Wattage
6L	0.30	0.17	0.15	0.13	0.10	0.08	36
9L	0.45	0.26	0.23	0.19	0.16	0.11	54
12L	0.62	0.36	0.31	0.27	0.21	0.15	74
15L	0.76	0.44	0.38	0.33	0.26	0.19	91
18L	0.93	0.53	0.46	0.40	0.32	0.23	111
21L	1.08	0.63	0.54	0.47	0.37	0.27	130
24L	1.29	0.75	0.65	0.56	0.45	0.32	155
27L	1.46	0.84	0.73	0.63	0.50	0.36	175

Recommended Lumen Maintenance					
Ambient Temp	Lumen Multiplier				
	0 hrs. <sup>2</sup>	25K hrs. <sup>2</sup>	50K hrs. <sup>2</sup>	75K hrs. <sup>3</sup>	100K hrs. <sup>3</sup>
50 C	100%	94%	88%	83%	78%

1 Lumen maintenance values at 40C are calculated per TM-21 based on LM-80 data and in-situ testing.  
 2 In accordance with IESNA TM-21-11, Projected Values represent interpolated value based on time durations that are within six times the IESNA LM-80-08 total test duration for the device under testing.  
 3 In accordance with IESNA TM-21-11, Calculated Values represent time durations that exceed six times the IESNA LM-80-08 total test duration for the device under testing.

## V-Locity Small (VALS) Outdoor LED Area Light

Type: \_\_\_\_\_

Have questions? Call us at (800) 436-7800

### PHOTOMETRICS

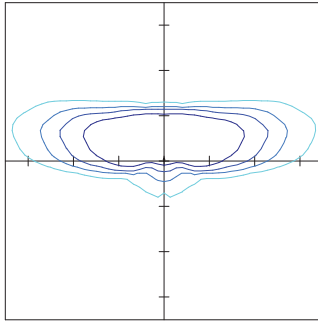
[Back to Quick Links](#)

Luminaire photometry has been conducted by a NVLAP accredited testing laboratory in accordance with IESNA LM-79-08. As specified by IESNA LM-79-08 the entire luminaire is tested as the source resulting in a luminaire efficiency of 100%.

See the individual product page on <https://www.lsicorp.com/> for detailed photometric data.

#### VALS 18L 2 40K8

V-LOCITY Area Small, 18,000lm, Type 2 Distribution

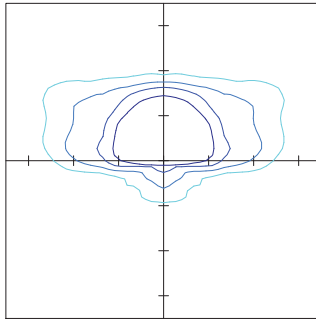


20' Mounting Height / 30' Grid Spacing  
■ 2 FC ■ 1 FC ■ 0.5 FC ■ 0.2 FC

Shielding	No Shield	W/Shield
IES Type	III Medium	III Medium
BUG Rating	B2-U0-G4	B1-U0-G3
Street Side Lumen %	87.3%	96.1%
House Side Lumen %	12.7%	3.9%
Uplight %	0.0%	0.0%

#### VALS 18L 3M 40K8

V-LOCITY Area Small, 18,000lm, Type 3 Medium Distribution

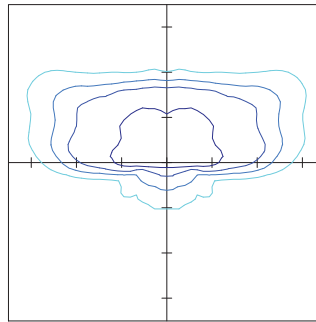


20' Mounting Height / 30' Grid Spacing  
■ 2 FC ■ 1 FC ■ 0.5 FC ■ 0.2 FC

Shielding	No Shield	W/Shield
IES Type	III Very Short	III Very Short
BUG Rating	B1-U0-G3	B1-U0-G3
Street Side Lumen %	93.4%	97.2%
House Side Lumen %	8.6%	2.8%
Uplight %	0.0%	0.0%

#### VALS 18L 3W 40K8

V-LOCITY Area Small, 18,000lm, Type 3 Wide Distribution

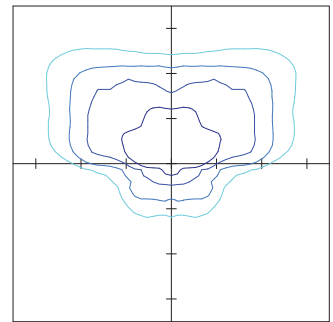


20' Mounting Height / 30' Grid Spacing  
■ 2 FC ■ 1 FC ■ 0.5 FC ■ 0.2 FC

Shielding	No Shield	W/Shield
IES Type	IV Medium	IV Medium
BUG Rating	B2-U0-G5	B1-U0-G4
Street Side Lumen %	86.9%	94.0%
House Side Lumen %	13.1%	6.0%
Uplight %	0.0%	0.0%

#### VALS 18L 4W 40K8

V-LOCITY Area Small, 18,000lm, Type 4 Wide Distribution

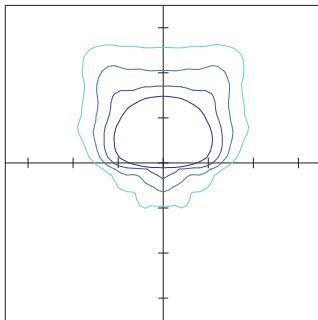


20' Mounting Height / 30' Grid Spacing  
■ 2 FC ■ 1 FC ■ 0.5 FC ■ 0.2 FC

Shielding	No Shield	W/Shield
IES Type	IV Medium	IV Medium
BUG Rating	B1-U0-G4	B0-U0-G3
Street Side Lumen %	89.9%	94.0%
House Side Lumen %	10.1%	3.5%
Uplight %	0.0%	0.0%

#### VALS 18L 4M 40K8

V-LOCITY Area Small, 18,000lm, Type 4 Medium Distribution

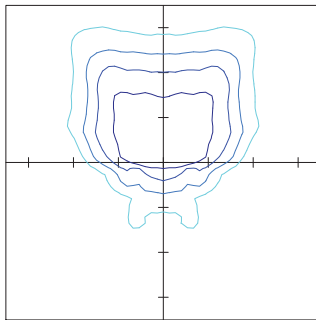


20' Mounting Height / 30' Grid Spacing  
■ 2 FC ■ 1 FC ■ 0.5 FC ■ 0.2 FC

Shielding	No Shield	W/Shield
IES Type	IV Very Short	III Very Short
BUG Rating	B1-U0-G4	B0-U0-G2
Street Side Lumen %	92.9%	99.0%
House Side Lumen %	7.1%	1.0%
Uplight %	0.0%	0.0%

#### VALS 18L 4F 40K8

V-LOCITY Area Small, 18,000lm, Type 4 Forward Distribution

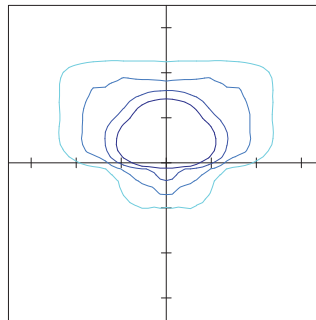


20' Mounting Height / 30' Grid Spacing  
■ 2 FC ■ 1 FC ■ 0.5 FC ■ 0.2 FC

Shielding	No Shield	W/Shield
IES Type	IV Short	IV Short
BUG Rating	B2-U0-G5	B0-U0-G3
Street Side Lumen %	89.7%	98.3%
House Side Lumen %	10.3%	1.7%
Uplight %	0.0%	0.0%

#### VALS 18L FTM 40K8

V-LOCITY Area Small, 18,000lm, Forward Throw Medium Distribution

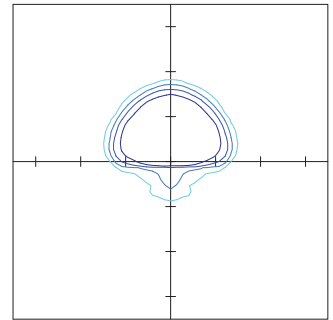


20' Mounting Height / 30' Grid Spacing  
■ 2 FC ■ 1 FC ■ 0.5 FC ■ 0.2 FC

Shielding	No Shield	W/Shield
IES Type	III Very Short	III Very Short
BUG Rating	B1-U0-G3	B0-U0-G3
Street Side Lumen %	93.0%	98.4%
House Side Lumen %	7.0%	1.6%
Uplight %	0.0%	0.0%

#### VALS 18L AM 40K8

V-LOCITY Area Small, 18,000lm, Automotive Merchandise Distribution



20' Mounting Height / 30' Grid Spacing  
■ 2 FC ■ 1 FC ■ 0.5 FC ■ 0.2 FC

Shielding	No Shield	W/Shield
IES Type	III Very Short	III Very Short
BUG Rating	B1-U0-G2	B0-U0-G2
Street Side Lumen %	95.3%	99.3%
House Side Lumen %	4.7%	0.7%
Uplight %	0.0%	0.0%

## V-Locity Small (VALS) Outdoor LED Area Light

Type : \_\_\_\_\_

Have questions? Call us at (800) 436-7800

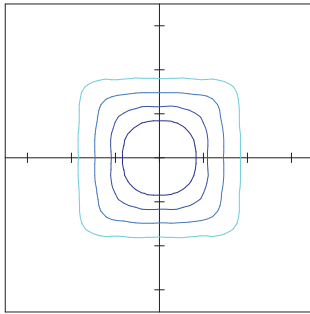
### PHOTOMETRICS (CONTINUED)

Luminaire photometry has been conducted by a NVLAP accredited testing laboratory in accordance with IESNA LM-79-08. As specified by IESNA LM-79-08 the entire luminaire is tested as the source resulting in a luminaire efficiency of 100%.

See the individual product page on <https://www.lsicorp.com/> for detailed photometric data.

#### VALS 18L 5QN 40K8

V-LOCITY Area Small, 18,000lm, Type 5  
Square Narrow Distribution

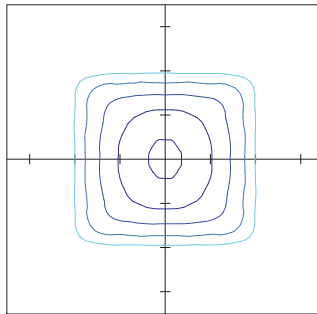


20' Mounting Height / 30' Grid Spacing  
 2 FC
  1 FC
  0.5 FC
  0.2 FC

IES Type	VS Very Short
BUG Rating	B3-U0-G2
0 - 60° Zonal Lumens	73.8%
60 - 90° Zonal Lumens	26.2%
Uplight %	0.0%

#### VALS 18L 5QM 40K8

V-LOCITY Area Small, 18,000lm, Type 5  
Square Medium Distribution

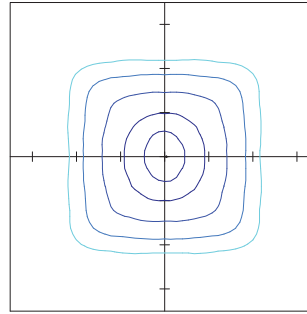


20' Mounting Height / 30' Grid Spacing  
 2 FC
  1 FC
  0.5 FC
  0.2 FC

IES Type	VS Short
BUG Rating	B4-U0-G2
0 - 60° Zonal Lumens	51.0%
60 - 90° Zonal Lumens	49.0%
Uplight %	0.0%

#### VALS 18L 5Q 40K8

V-LOCITY Area Small, 18,000lm, Type 5  
Square Distribution

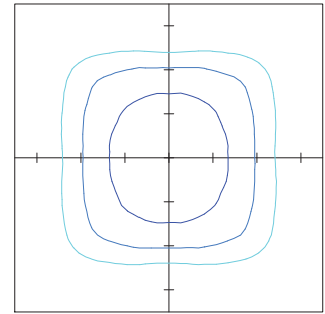


20' Mounting Height / 30' Grid Spacing  
 2 FC
  1 FC
  0.5 FC
  0.2 FC

IES Type	VS Medium
BUG Rating	B5-U0-G3
0 - 60° Zonal Lumens	41.8%
60 - 90° Zonal Lumens	58.2%
Uplight %	0.0%

#### VALS 18L 5QW 40K8

V-LOCITY Area Small, 18,000lm, Type 5  
Square Wide Distribution

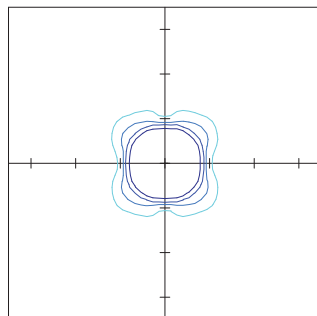


20' Mounting Height / 30' Grid Spacing  
 2 FC
  1 FC
  0.5 FC
  0.2 FC

IES Type	VS Medium
BUG Rating	B5-U0-G3
0 - 60° Zonal Lumens	33.7%
60 - 90° Zonal Lumens	66.3%
Uplight %	0.0%

#### VALS 18L WF 40K8

V-LOCITY Area Small, 18,000lm, Wide Flood  
Distribution

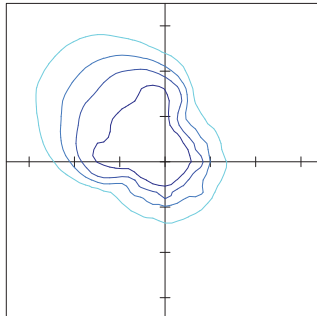


20' Mounting Height / 30' Grid Spacing  
 2 FC
  1 FC
  0.5 FC
  0.2 FC

NEMA Type	6x6
Max Candela	9,352
Max Candela Angle	-19.5H x -29V
Beam Angle	80.7 x 90.0°
Field Angle	109.9 x 117.7°

#### VALS 18L LC 40K8

V-LOCITY Area Small, 18,000lm, Left Corner  
Distribution

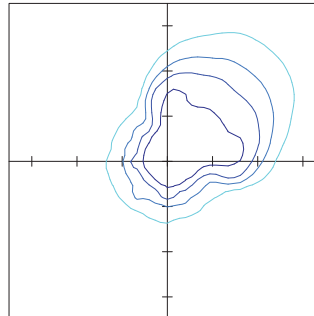


20' Mounting Height / 30' Grid Spacing  
 2 FC
  1 FC
  0.5 FC
  0.2 FC

Shielding	No Shield	W/Shield
IES Type	N/A	N/A
BUG Rating	B2-U0-G4	B1-U0-G3
Street Side Lumen %	75.9%	91.9%
House Side Lumen %	24.1%	8.1%
Uplight %	0.0%	0.0%

#### VALS 18L RC 40K8

V-LOCITY Area Small, 18,000lm, Right Corner  
Distribution



20' Mounting Height / 30' Grid Spacing  
 2 FC
  1 FC
  0.5 FC
  0.2 FC

Shielding	No Shield	W/Shield
IES Type	N/A	N/A
BUG Rating	B2-U0-G4	B1-U0-G3
Street Side Lumen %	75.9%	91.9%
House Side Lumen %	24.1%	8.1%
Uplight %	0.0%	0.0%



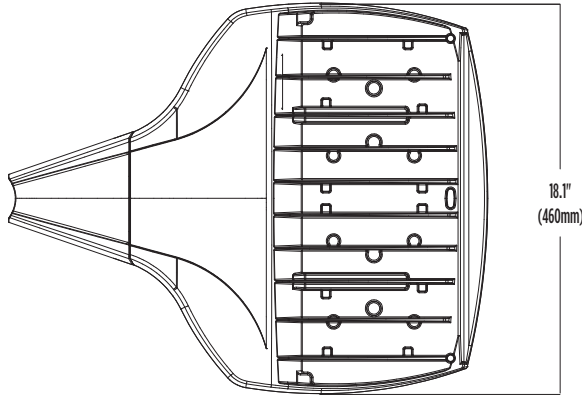
## V-Locity Small (VALS) Outdoor LED Area Light

Type : \_\_\_\_\_

Have questions? Call us at (800) 436-7800

### PRODUCT DIMENSIONS

[Back to Quick Links](#)



Luminaire EPA Chart - SA Side Arm

Tilt Degree	0°
Single	0.7
D180°	1.3
D90°	1.0
T90°	1.4
TN120°	1.5
Q90°	1.4

Luminaire EPA Chart - UA Universal Adjustable Arm

Tilt Degree	0°	15°	30°	45°	60°
Single	0.8	0.8	1.3	1.8	2.1
D180°	1.5	1.9	2.5	3.2	3.8
D90°	1.5	1.9	2.5	3.2	3.8
T90°	1.8	2.1	2.7	3.2	3.8
TN120°	1.8	2.3	3.4	4.3	5.0
Q90°	1.8	2.1	2.7	3.2	3.8

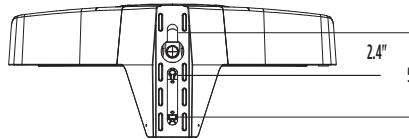
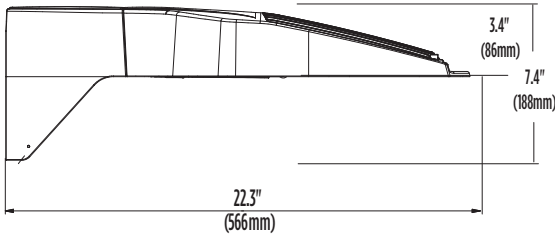
Luminaire EPA Chart - MA Mast Arm

Tilt Degree	0°
Single	0.5

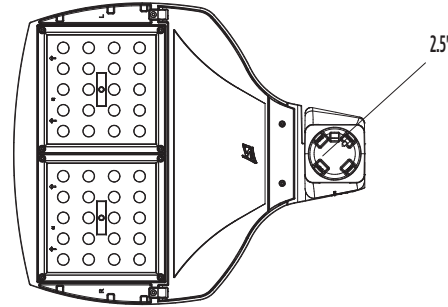
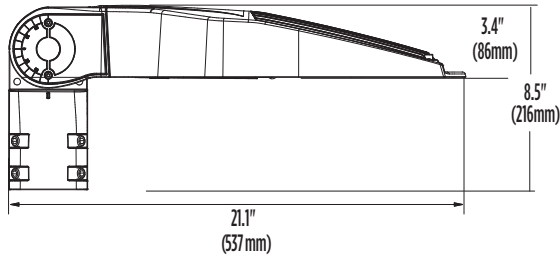
Luminaire EPA Chart - SF Adjustable Slip Fitter

Tilt Degree	0°	15°	30°	45°	60°
Single	0.7	1.3	1.4	1.8	2.2

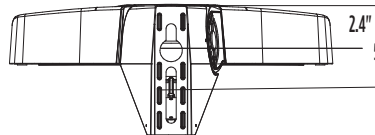
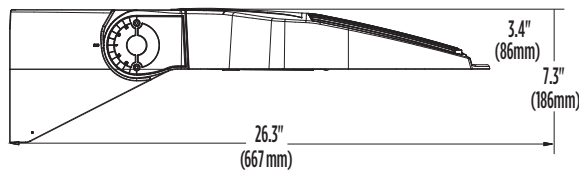
SA Universal Side Arm Mount



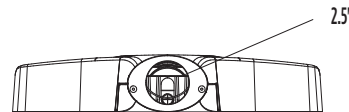
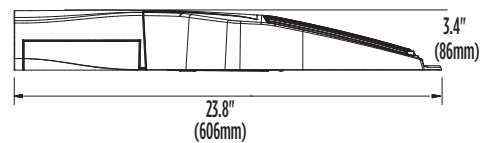
SF Adjustable Slipfitter



UA Universal Adjustable Arm



MA Mast Arm



## V-Locity Small (VALS) Outdoor LED Area Light

Type : \_\_\_\_\_

**Have questions?** Call us at (800) 436-7800

### CONTROLS

[Back to Quick Links](#)

#### Integral Bluetooth™ Motion and Photocell Sensor (IMSBTxL)

Slim low profile sensor provides multi-level control based on motion and/or daylight. Sensor controls 0-10 VDC LED drivers and is IP66 rated for cold and wet locations (-40°F to 167°F). Two unique PIR lenses are available and used based on fixture mounting height. All control parameters are adjustable via an iOS or Android App capable of storing and transmitting sensor profiles.

Click here to learn more details about IMSBT



LEVITON App



Apple



Android

#### AirLink Blue (ALBMRxLR, ALBCSx)

Wireless Bluetooth Mesh Outdoor Lighting Control System that provides energy savings, code compliance and enhanced safety/security for parking lots and parking garages. Three key components; Bluetooth wireless radio/sensor controller, Time Keeper and an iOS App. Capable of grouping multiple fixtures and sensors as well as scheduling time-based events by zone. Radio/Sensor Controller is factory integrated into Area/ Site, Wall Mounted, Parking Garage and Canopy luminaires.

Click here to learn more details about AirLink Blue



AirLink Blue App



Apple

#### Sensor Sequence of Operations

Standard Programming	On Event	Off Event	On Light Level	Dim Light Level	Daylight Harvesting	Delay To Off	Sensitivity
OMSBTxL/IMSBTxL	Motion	No Motion	100%	N/A	On; Auto Calibration	20 minutes	High
OMS	Motion	No Motion	N/A	N/A	N/A	30 seconds	Auto

Operation	Description
On Event	Trigger that activates lights to turn on; either automatic via motion detected or manually activated via push of button.
Off Event	Trigger that activates lights to turn off; either automatic via no motion detected or manually activated via push of button.
On Light Level	The light level that the fixtures will turn on to when ON EVENT occurs.
Dim Light Level	The light level that the fixtures will dim down to when no motion is detected.
Delay to Dim	The amount of time after which no motion is detected that the fixtures will be triggered to dim down. This sequence is optional, and sensor can be programmed to only trigger the fixture to turn off by entering 100% in this field.
Delay to Off	The amount of time after which no motion is detected that the fixtures will be triggered to turn off. If delay to dim is part of the programmed functionality, this is the amount of time after which no motion is detected after the fixture have already dimmed down.
Sensitivity	The sensitivity can be set to high, medium, low, or auto where applicable. High will detect smaller, simple motions. Low will only detect larger more complex motions. Auto temperature calibration adjusts the PIR sensitivity as ambient temperature rises to increase detection of heat movement through the field of view.



Catalog #: \_\_\_\_\_ Project: \_\_\_\_\_ Type: \_\_\_\_\_  
Prepared By: \_\_\_\_\_ Date: \_\_\_\_\_

## Steel Poles

### Square Straight



#### QUICK LINKS

[Ordering Guide](#)

[Configurations](#)

[Dimensions](#)

[EPA](#)

#### FEATURES & SPECIFICATIONS

##### Pole Shaft

- Straight poles are 4", 5", or 6" square.
- Pole shaft is electro-welded ASTM-A500 Grade C steel tubing with a minimum yield strength of 50,000 psi.
- On Tenon Mount steel poles, tenon is 2-3/8" O.D. high-strength pipe. Tenon is 4-3/4" in length.

##### Hand-Hole

- Standard hand-hole location is 12" above pole base.
- Poles 22' and above have a 3x6 reinforced hand hole.

##### Base

- Pole base is ASTM-A36 hot-rolled steel plate with a minimum yield strength of 36,000 psi.
- Two-piece square base cover is optional.

##### Anchor Bolts

- Poles are furnished with anchor bolts featuring zinc-plated double nuts and washers. Galvanized anchor bolts are optional.
- Anchor Bolts conform to ASTM F 1554-07a Grade 55 with a minimum yield strength of 55,000 PSI.

##### Ground Lug

- Ground lug is standard.

##### Duplex Receptacle

- Weatherproof duplex receptacle is optional.

##### Ground Fault Circuit Interrupter

- Self-testing Ground fault circuit interrupter is optional.

##### Finishes

- Every pole is provided with the DuraGrip Protection System and a 5-year limited warranty:
- When the top-of-the line DuraGrip Plus Protection System is selected, in addition to the DuraGrip Protection System, a non-porous, automotive-grade corrosion coating is applied to the lower portion of the pole interior sealing and further protecting it from corrosion. This option extends the limited warranty to 7 years.

##### Determining The Luminaire/Pole Combination For Your Application:

- Select luminaire from luminaire ordering information.
- Select bracket configuration if required
- Determine EPA value from luminaire/bracket EPA chart

- Select Pole Height

- Select MPH to match wind speed in the application area (See windspeed maps).
- Confirm pole EPA equal to or exceeding value of luminaire/bracket EPA
- Consult factory for special wind load requirements and banner brackets.

##### Pole Vibration Damper

- A pole vibration damper is recommended in open terrain areas of the country where low steady state winds are common.
- Non-tapered poles and lightly loaded poles are more susceptible to destructive vibration if a damper is not installed.

##### Listings

- UL Listed
- BAA/TAA Compliant

## Steel Poles Square Straight

Have questions? Call us at (800) 436-7800

Type : \_\_\_\_\_

### ORDERING GUIDE

[Back to Quick Links](#)

TYPICAL ORDER EXAMPLE: 4SQ B3 S11G 24 S PLP DGP						
Pole Series	Mounting Method	Material	Height <sup>2</sup>	Mounting Configuration	Pole Finish	Options
<b>4SQ</b> - 4" x 4" Square Straight Pole (New Build) <b>5SQ</b> - 5" x 5" Square Straight Pole (New Build) <b>6SQ</b> - 6" x 6" Square Straight Pole (New Build) <b>4SQU</b> - 4" x 4" Square Straight Pole (Retrofit) <b>5SQU</b> - 5" x 5" Square Straight Pole (Retrofit) <b>6SQU</b> - 6" x 6" Square Straight Pole (Retrofit)	<b>Bolt-On Mount<sup>1</sup></b> - See pole selection guide for patterns and fixture matches <b>B5</b> - 5" Traditional Drilling Pattern <b>B3</b> - 3" Reduced Pattern <b>B2</b> - 2" Low Profile Drilling Pattern <b>B2R</b> - Raised 2" Reduce Drilling Pattern ( <b>LAL4 ONLY</b> )  <b>T</b> - Tenon Mount - See pole selection guide for tenon and fixture/bracket matches  <b>I</b> - No Mounting Holes <sup>1</sup>	<b>S11G</b> - 11 Ga. Steel (4SQ/4SQU and 5SQ/5SQU Only) <b>S07G</b> - 07 Ga. Steel	8' 10' 12' 13' 14' 15' 16' 17' 17'6" 18' <b>20'</b> 22' 22'6" 23' 24' 25' 26' 27' 28' 30' 32' 35' 39'	<b>S</b> - Single/Parallel <b>D180</b> - Double <b>D90</b> - Double <b>DN90</b> - Double <b>T90</b> - Triple <b>TN120</b> - Triple <b>Q90</b> - Quad <b>QN90</b> - Quad  <b>N</b> - Tenon Mount (Standard Tenon size is 2-3/8" O.D.) <sup>8</sup> <b>(Blank)</b> - Use with I for Mounting Method	<b>BRZ</b> - Bronze <b>BLK</b> - Black <b>PLP</b> - Platinum Plus <b>WHT</b> - White <b>SVG</b> - Satin Verde Green <b>GPT</b> - Graphite <b>MSV</b> - Metallic Silver <b>BZA</b> - Alternate Bronze <b>GMG</b> - Gun Metal Gray	<b>GA</b> - Galvanized Anchor Bolts <b>SF</b> - Single Flood <sup>3</sup> <b>DF</b> - Double Flood <sup>3</sup> <b>DGP</b> - DuraGrip <sup>3</sup> Plus <b>LAB</b> - Less Anchor Bolts <b>CRXX</b> - Conduit Raceway <sup>4</sup>



Need more information?  
[Click here for our glossary.](#)

Have additional questions?  
Call us at (800) 436-7800



### ACCESSORY ORDERING INFORMATION

Part Number	Description
122559CLR	4BC - 4" Square Base Cover
122561CLR	5BC - 5" Square Base Cover
122563CLR	6BC - 6" Square Base Cover
132488CLR	5BC - 5" Square Universal Base Cover
131252CLR	6BC - 6" Square Universal Base Cover
122566CLR	ER2 - Weatherproof Duplex Receptacle
122567CLR	GFI - Ground Fault Circuit Interrupter
132336	MH5 - mounting Hole Plugs for use with 5" traditional drill pattern (3 set of 3 plugs)
681126	MH3 - mounting Hole Plugs for use with 3" reduced drill pattern (3 set of 3 plugs)
725841	MH2 - Mounting Hole Plugs for use with 2" reduced drill pattern (3 sets of 3 plugs)
172539	Vibration Damper - 4" Square Pole (bolt-on mount only)
172538	Vibration Damper - 5" Square Pole (bolt-on mount only)
178361	Vibration Damper - 6" Square Pole (bolt-on mount only)

### ANCHOR BOLT KIT ORDERING INFORMATION

Part Number	Description
AB KIT 122584	4SQ S11G/S07G Anchor Bolts (Steel Plated)
AB KIT 122609	4SQ S11G/S07G Anchor Bolts (Galvanized)
AB KIT 1225850	5SQ S11G Anchor Bolts (Steel Plated)
AB KIT 122610	5SQ S11G Anchor Bolts (Galvanized)
AB KIT 122586	5SQ S07G Anchor Bolts (Steel Plated)
AB KIT 122611	5SQ S07G Anchor Bolts (Galvanized)
AB KIT 122612	6SQ S07G Anchor Bolts (Galvanized)

1 - See Area Light Brackets - 3" Reduced Drill Pattern and Area Light Brackets - 5" Traditional Drill Pattern Spec Sheets.

2 - Pole heights will have +/- 1/2" tolerance.

3 - See Flood Lighting Brackets section for choice of FBO brackets.

4 - CR selection must indicate required height and side of pole mounting location. Mounting template required at time of order.



## Steel Poles Square Straight

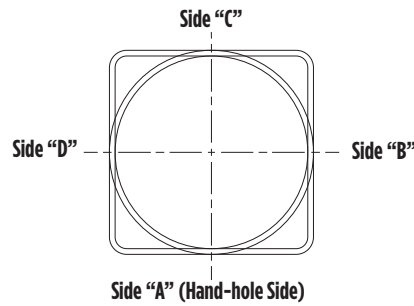
Type : \_\_\_\_\_

**Have questions?** Call us at (800) 436-7800

### DRILLING LOCATIONS

[Back to Quick Links](#)

Sides	A	B	C	D
Hand-hole	X			
Single	X			
D180		X		X
D90	X			X
DN90 <sup>1</sup>				
T90	X	X		X
TN120 <sup>2</sup>				
Q90	X	X	X	X
QN90 <sup>3</sup>				
Single FBO	X			
Double FBO		X		X



- 1 - Two locations will be 45° to the left and right of Side A.
  - 2 - Other two locations will be 120° to the left and right of Side A.
  - 3 - Two locations will be 45° to the left and right of Side A and two locations will be 135° to the left and right of Side A.
- Consult factory for custom variations. Standard SF and DF pole preparations are located 3/4 of the height of the pole from the base, except on 20' poles. Maximum height for SF and DF pole preparations on 20' poles is 13' from the base.

### FIXTURE CONFIGURATIONS



## Steel Poles Square Straight

Type : \_\_\_\_\_

Have questions? Call us at (800) 436-7800

### BOLT CIRCLE

[Back to Quick Links](#)

#### STANDARD BASEPLATE

4" (102mm) square  
10-1/8" (257mm) sq.



11" (279mm) Dia. Bolt Circle

5" (127mm) square  
10-1/8" (257mm) sq.



11" (279mm) Dia. Bolt Circle

5" (127mm) square  
10-1/8" (257mm) sq.



11" (279mm) Dia. Bolt Circle

6" (152mm) square  
12" (305mm) sq.



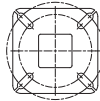
12" (305mm) Dia. Bolt Circle

Bolt Circle Designator	B	C	D	J
Bolt Circle	Slotted 8"-11" (203mm-279mm)	Slotted 9"-11" (229mm-279mm)	Slotted 9"-11" (229mm-279mm)	Slotted 12" (305mm)
Anchor Bolt Size	3/4" x 24" (19mm x 609mm)	3/4" x 24" (19mm x 609mm)	1"x30" (25mm x 762mm)	1"x30" (25mm x 762mm)
Anchor Bolt Projection	3-1/4" (83mm)	3-1/4" (83mm)	4" (102mm)	4" (102mm)
Base Plate Opening for Wireway Entry	3-5/8" (92mm)	4-3/4" (121mm)	4-5/8" (117mm)	5-5/8" (143mm)
Base Plate Dimensions	10-1/8" sq. x 3/4" thk. (257mm x 19mm)	10-1/8" sq. x 3/4" thk. (257mm x 19mm)	10-1/8" sq. x 1" thk. (257mm x 25mm)	12" sq. x 1-1/8" thk. (305mm x 29mm)
Pole Gauge	11	11	7	7

Note: Base plate illustrations may change without notice. Do not use for setting anchor bolts. Consult factory for the appropriate anchor bolt template.

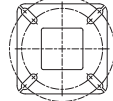
#### UNIVERSAL BASEPLATE

4" (102mm) square  
10.5" (267mm) sq.



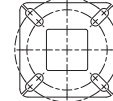
4SQ

5" (127mm) square  
11.125" (283mm) sq.



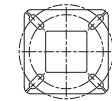
5SQ

5" (127mm) square  
11.75" (298mm) sq.



5SQ

6" (152mm) square  
12-1/2" (318mm) sq.



14" (356mm) Dia. Bolt Circle

Bolt Circle Designator	E	F	G	H
Bolt Circle	Slotted 9"-12"	Slotted 10"-13"	Slotted 10"-13"	Slotted 11"-14" (279mm-356mm)
Anchor Bolt Size	3/4" x 24" (19mm x 609 mm)	3/4x 24" (19mm x 609 mm)	1"x30" (25mm x 762mm)	1"x30" (25mm x 762mm)
Anchor Bolt Projection	3-1/4" (83 mm)	3-1/4" (83 mm)	4" (102 mm)	4" (102mm)
Base Plate Opening for Wireway Entry	3-5/8" (92mm)	4-3/4" (121mm)	5-1/8" (130 mm)	5-5/8" (143mm)
Base Plate Dimensions	10-1/2" sq. x 3/4" thk. (267 mm x 19 mm)	11-1/8 sq. x 3/4" thk. (283 mm x 19 mm)	11-3/4" sq. x 1" thk. (298 mm x 25 mm)	12 1/2" sq. x 1 1/8" thk. (318mm x 29mm)
Pole Gauge	11	11	7	7

Note: Base plate illustrations may change without notice. Do not use for setting anchor bolts. Consult factory for the appropriate anchor bolt template.

1 - Full Galvanized option is 1" x 30" straight headed anchor bolt. Contact factory for questions

## Steel Poles Square Straight

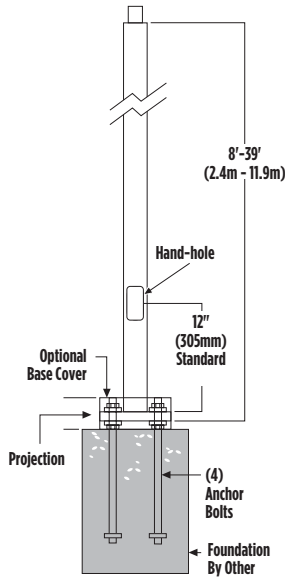
Type : \_\_\_\_\_

Have questions? Call us at (800) 436-7800

### PRODUCT DIMENSIONS

[Back to Quick Links](#)

SQT -  
N= 2-3/8" (60mm) O.D. x 4-3/4" (121mm) Tenon



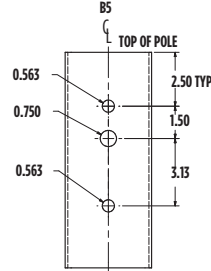
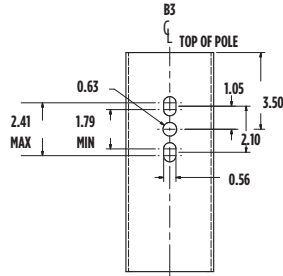
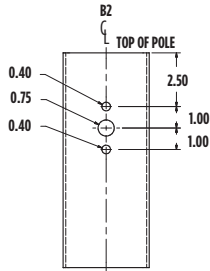
SF -  
Single Flood  
Pole Preparation



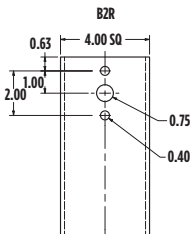
#### SHIPPING WEIGHTS

4" (102mm) sq. 11 Ga. is approximately	7.50 lbs./ft.
4" (102mm) sq. 07 Ga. is approximately	10.00 lbs./ft.
5" (127mm) sq. 11 Ga. is approximately	9.00 lbs./ft.
5" (127mm) sq. 07 Ga. is approximately	12.50 lbs./ft.
6" (152mm) sq. 07 Ga. is approximately	15.40 lbs./ft.
Anchor Bolts (3/4" x 24") (19mm x 609mm)	15 lbs. (7kg)/set
Anchor Bolts (1" x 30") (25mm x 762mm)	30 lbs. (14kg)/set

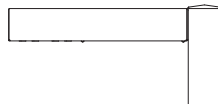
#### Bolt-On Mount 2-Bolt Pattern



ONLY FOR USE WITH LAL4 PRODUCT  
BZR- Raised 2" low profile drilling pattern



SIDE VIEW



TOP VIEW



## Steel Poles Square Straight

Type : \_\_\_\_\_

Have questions? Call us at (800) 436-7800

### WIND SPEED

[Back to Quick Links](#)

**EPA Information**

All LSI Industries' poles are guaranteed to meet the EPA requirements listed. LSI Industries is not responsible if a pole order has a lower EPA rating than the indicated wind-loading zone where the pole will be located.

CAUTION: This guarantee does not apply if the pole/bracket/fixture combination is used to support any other items such as flags, pennants, or signs, which would add stress to the pole. LSI Industries cannot accept responsibility for harm or damage caused in these situations.

NOTE: Pole calculations include a 1.3 gust factor over steady wind velocity. Example: poles designed to withstand 80 MPH steady wind will withstand gusts to 104 MPH. EPAs are for locations 100 miles away from hurricane ocean lines. Consult LSI for other areas. Note: Hurricane ocean lines are the Atlantic and Gulf of Mexico coastal areas. For applications in Florida or Canada, consult factory.

POLE <sup>1</sup>	Mtg. Height Length (ft)	Wall Thick (ga)	BOLT CIRCLE			EPA									
			Designator	Dia. (in)	Anchor bolt Dia {in}	110 MPH	115 MPH	120 MPH	130 MPH	140 MPH	150 MPH	160 MPH	170 MPH	180 MPH	
4" x 11-ga x 12'	12	11	B	8" - 11"	0.75	13.9	12.5	11.3	9.2	7.6	6.3	5.2	4.3	3.6	
4" x 11-ga x 14'	14	11	B	8" - 11"	0.75	10.7	9.5	8.5	6.8	5.4	4.4	3.5	2.7	2.1	
4" x 11-ga x 16'	16	11	B	8" - 11"	0.75	8.2	7.2	6.4	4.9	3.8	2.9	2.1	1.5	1.0	
4" x 11-ga x 18'	18	11	B	8" - 11"	0.75	6.3	5.4	4.7	3.4	2.4	1.6	1.0	0.4	n/a	
4" x 11-ga x 20'	20	11	B	8" - 11"	0.75	4.6	3.9	3.2	2.1	1.2	0.6	n/a	n/a	n/a	
4" x 11-ga x 22'	22	11	B	8" - 11"	0.75	7.6	6.6	5.7	4.2	3.0	2.0	1.2	0.5	n/a	
4" x 11-ga x 24'	24	11	B	8" - 11"	0.75	6.0	5.1	4.3	2.9	1.8	0.9	n/a	n/a	n/a	
4" x 11-ga x 26'	26	11	B	8" - 11"	0.75	4.6	3.7	3.0	1.7	0.7	n/a	n/a	n/a	n/a	
4" x 7-ga x 14'	14	7	B	8" - 11"	0.75	18.3	16.4	14.9	12.2	10.2	8.5	7.1	5.9	5.0	
4" x 7-ga x 16'	16	7	B	8" - 11"	0.75	14.7	13.2	11.8	9.6	7.8	6.3	5.2	4.2	3.4	
4" x 7-ga x 18'	18	7	B	8" - 11"	0.75	11.9	10.5	9.3	7.4	5.9	4.6	3.6	2.8	2.1	
4" x 7-ga x 20'	20	7	B	8" - 11"	0.75	9.6	8.4	7.4	5.7	4.3	3.2	2.3	1.6	0.9	
4" x 7-ga x 22'	22	7	B	8" - 11"	0.75	7.7	6.6	5.7	4.2	3.0	2.0	1.2	0.5	n/a	
4" x 7-ga x 24'	24	7	B	8" - 11"	0.75	6.0	5.1	4.3	2.9	1.8	0.9	n/a	n/a	n/a	
4" x 7-ga x 26'	26	7	B	8" - 11"	0.75	4.6	3.7	3.0	1.7	0.7	n/a	n/a	n/a	n/a	
4" x 7-ga x 28 <sup>2</sup>	28	7	B	8" - 11"	0.75	3.3	2.5	1.8	0.7	n/a	n/a	n/a	n/a	n/a	
4" x 7-ga x 30 <sup>2</sup>	30	7	B	8" - 11"	0.75	2.2	1.4	0.8	n/a	n/a	n/a	n/a	n/a	n/a	
5" x 11-ga x 14'	14	11	C	9" - 11"	0.75	17.4	15.7	14.1	11.5	9.3	7.7	6.3	5.2	4.2	
5" x 11-ga x 16'	16	11	C	9" - 11"	0.75	13.8	12.3	10.9	8.7	6.9	5.5	4.3	3.3	2.5	
5" x 11-ga x 18'	18	11	C	9" - 11"	0.75	10.8	9.6	8.4	6.5	4.9	3.7	2.6	1.8	1.1	
5" x 11-ga x 20'	20	11	C	9" - 11"	0.75	8.5	7.3	6.3	4.6	3.2	2.1	1.2	0.5	n/a	
5" x 11-ga x 22'	22	11	C	9" - 11"	0.75	10.9	9.5	8.3	6.2	4.5	3.2	2.1	1.2	0.5	
5" x 11-ga x 24'	24	11	C	9" - 11"	0.75	8.8	7.5	6.4	4.5	3.0	1.8	0.8	n/a	n/a	
5" x 11-ga x 26'	26	11	C	9" - 11"	0.75	6.8	5.7	4.6	3.0	1.6	0.6	n/a	n/a	n/a	
5" x 11-ga x 28'	28	11	C	9" - 11"	0.75	5.2	4.1	3.2	1.6	0.4	n/a	n/a	n/a	n/a	
5" x 11-ga x 30'	30	11	C	9" - 11"	0.75	3.6	2.7	1.8	0.4	n/a	n/a	n/a	n/a	n/a	
5" x 7-ga x 20'	20	7	D	9" - 11"	1.00	21.6	19.3	17.3	14.0	11.3	9.2	7.4	6.0	4.8	
5" x 7-ga x 22'	22	7	D	9" - 11"	1.00	20.7	18.6	16.6	13.3	10.7	8.5	6.8	5.4	4.2	
5" x 7-ga x 24'	24	7	D	9" - 11"	1.00	17.7	15.6	13.8	10.8	8.5	6.6	5.0	3.7	2.6	
5" x 7-ga x 26'	26	7	D	9" - 11"	1.00	14.9	13.1	11.4	8.8	6.6	4.9	3.5	2.3	1.3	
5" x 7-ga x 28'	28	7	D	9" - 11"	1.00	12.5	10.9	9.4	6.9	4.9	3.4	2.1	1.0	n/a	
5" x 7-ga x 30'	30	7	D	9" - 11"	1.00	10.3	8.9	7.5	5.2	3.4	2.0	0.8	n/a	n/a	
5" x 7-ga x 35'	35	7	D	9" - 11"	1.00	6.0	4.8	3.6	1.8	n/a	n/a	n/a	n/a	n/a	
6" x 7-ga x 24'	24	7	J	12"	1.00	18.6	16.4	14.3	11.2	8.6	6.5	4.8	3.4	2.2	
6" x 7-ga x 26'	26	7	J	12"	1.00	15.6	13.4	11.7	8.8	6.5	4.6	3.0	1.8	0.7	
6" x 7-ga x 28'	28	7	J	12"	1.00	12.9	10.9	9.3	6.7	4.6	2.8	1.5	n/a	n/a	
6" x 7-ga x 30'	30	7	J	12"	1.00	10.4	8.8	7.3	4.8	2.9	1.3	n/a	n/a	n/a	
6" x 7-ga x 32'	32	7	J	12"	1.00	8.3	6.8	5.5	3.1	1.3	n/a	n/a	n/a	n/a	
6" x 7-ga x 34'	34	7	J	12"	1.00	6.5	5.0	3.7	1.6	n/a	n/a	n/a	n/a	n/a	
6" x 7-ga x 35'	35	7	J	12"	1.00	5.5	4.2	2.9	0.9	n/a	n/a	n/a	n/a	n/a	
6" x 7-ga x 39'	39	7	J	12"	1.00	2.3	1.0	n/a	n/a	n/a	n/a	n/a	n/a	n/a	



## Steel Poles Square Straight

Type : \_\_\_\_\_

Have questions? Call us at (800) 436-7800

### WIND SPEED

POLE <sup>1</sup>	Mtg. Height Length (ft)	Wall Thick (ga)	BOLT CIRCLE			EPA								
			Designator	Dia. (in)	Anchor Bolt Dia (in)	110 MPH	115 MPH	120 MPH	130 MPH	140 MPH	150 MPH	160 MPH	170 MPH	180 MPH
5" x 11-ga x 14'	14	11	F	11"	0.75	17.6	15.8	14.2	11.5	9.4	7.7	6.3	5.2	4.3
5" x 11-ga x 14'	14	11	F	13"	0.75	17.6	15.8	14.2	11.5	9.4	7.7	6.3	5.2	4.3
5" x 11-ga x 16'	16	11	F	11"	0.75	13.9	12.2	11.0	8.8	7.0	5.5	4.3	3.4	2.5
5" x 11-ga x 16'	16	11	F	13"	0.75	13.9	12.2	11.0	8.8	7.0	5.5	4.3	3.4	2.5
5" x 11-ga x 18'	18	11	F	11"	0.75	11.0	9.6	8.4	6.5	5.0	3.7	2.7	1.8	1.1
5" x 11-ga x 18'	18	11	F	13"	0.75	11.0	9.6	8.4	6.5	5.0	3.7	2.7	1.8	1.1
5" x 11-ga x 20'	20	11	F	11"	0.75	8.6	7.4	6.4	4.6	3.3	2.2	1.3	0.5	-
5" x 11-ga x 20'	20	11	F	13"	0.75	8.6	7.4	6.4	4.6	3.3	2.2	1.3	0.5	-
5" x 11-ga x 22'	22	11	F	11"	0.75	12.7	11.1	9.6	7.4	5.6	4.1	3.0	2.0	1.1
5" x 11-ga x 22'	22	11	F	12"	0.75	10.3	8.9	7.7	5.7	4.1	2.8	1.8	0.9	-
5" x 11-ga x 22'	22	11	F	13"	0.75	8.6	7.4	6.4	4.6	3.1	2.0	1.1	-	-
5" x 11-ga x 24'	24	11	F	11"	0.75	10.2	8.9	7.6	5.6	4.0	2.6	1.6	0.7	-
5" x 11-ga x 24'	24	11	F	12"	0.75	8.0	6.9	5.8	4.0	2.6	1.5	0.5	-	-
5" x 11-ga x 24'	24	11	F	13"	0.75	6.7	5.5	4.6	3.0	1.7	0.7	-	-	-
5" x 11-ga x 26'	26	11	F	11"	0.75	8.1	6.9	5.8	4.0	2.5	1.3	-	-	-
5" x 11-ga x 26'	26	11	F	12"	0.75	6.2	5.1	4.1	2.6	1.3	-	-	-	-
5" x 11-ga x 26'	26	11	F	13"	0.75	5.0	4.0	3.1	1.6	0.5	-	-	-	-
5" x 11-ga x 28'	28	11	F	11"	0.75	6.3	5.2	4.3	2.5	1.1	-	-	-	-
5" x 11-ga x 28'	28	11	F	12"	0.75	4.6	3.6	2.7	1.2	-	-	-	-	-
5" x 11-ga x 28'	28	11	F	13"	0.75	3.4	2.5	1.7	-	-	-	-	-	-
5" x 11-ga x 30'	30	11	F	11"	0.75	4.7	3.7	2.8	1.2	-	-	-	-	-
5" x 11-ga x 30'	30	11	F	12"	0.75	3.1	2.2	1.4	-	-	-	-	-	-
5" x 11-ga x 30'	30	11	F	13"	0.75	2.0	1.2	0.5	-	-	-	-	-	-
5" x 7-ga x 20'	20	7	G	11"	0.75	19.0	17.0	15.0	12.2	9.7	7.8	6.2	5.0	3.8
5" x 7-ga x 20'	20	7	G	12"	0.75	21.4	19.1	17.1	13.8	11.2	9.1	7.3	5.9	4.7
5" x 7-ga x 20'	20	7	G	13"	0.75	21.4	19.2	17.2	13.9	11.3	9.2	7.4	6.0	4.8
5" x 7-ga x 20'	20	7	G	11"	1	21.7	19.4	17.4	14.0	11.4	9.3	7.5	6.0	4.8
5" x 7-ga x 20'	20	7	G	13"	1	21.7	19.4	17.4	14.0	11.4	9.3	7.5	6.0	4.8
5" x 7-ga x 22'	22	7	G	11"	0.75	16.0	14.1	12.5	9.8	7.6	5.9	4.4	3.3	2.3
5" x 7-ga x 22'	22	7	G	12"	0.75	17.7	15.9	14.2	11.2	8.7	7.0	5.4	4.1	3.0
5" x 7-ga x 22'	22	7	G	13"	0.75	19.9	17.3	15.6	12.6	10.0	8.0	6.3	5.0	3.8
5" x 7-ga x 22'	22	7	G	11"	1	21.0	18.7	16.7	13.4	10.6	8.5	6.8	5.4	4.2
5" x 7-ga x 22'	22	7	G	12"	1	23.4	20.6	18.4	15.0	12.2	9.9	8.0	6.4	5.1
5" x 7-ga x 22'	22	7	G	13"	1	21.3	18.8	17.0	13.7	11.0	8.8	7.0	5.6	4.3
5" x 7-ga x 24'	24	7	G	11"	0.75	13.3	11.6	10.0	7.7	5.7	4.2	2.9	1.9	1.0
5" x 7-ga x 24'	24	7	G	12"	0.75	15.0	13.0	11.6	8.9	6.8	5.1	3.8	2.6	1.7
5" x 7-ga x 24'	24	7	G	13"	0.75	16.6	14.6	12.9	10.2	8.0	6.1	4.6	3.3	2.3
5" x 7-ga x 24'	24	7	G	11"	1	17.5	15.7	13.9	10.9	8.6	6.7	5.0	3.7	2.7
5" x 7-ga x 24'	24	7	G	12"	1	20.0	17.4	15.4	12.3	9.9	7.8	6.0	4.7	3.5
5" x 7-ga x 24'	24	7	G	13"	1	18.1	16.0	14.2	11.0	8.7	6.7	5.3	3.9	2.8
5" x 7-ga x 26'	26	7	G	11"	0.75	10.9	9.3	8.0	5.9	4.1	2.7	1.6	0.6	-
5" x 7-ga x 26'	26	7	G	12"	0.75	12.4	10.9	9.5	7.0	5.1	3.6	2.3	1.3	-
5" x 7-ga x 26'	26	7	G	13"	0.75	14.0	12.3	10.7	8.1	6.0	4.4	3.1	2.0	1.0
5" x 7-ga x 26'	26	7	G	11"	1	15.0	13.2	11.5	8.8	6.7	4.9	3.5	2.3	1.3

## Steel Poles Square Straight

Type : \_\_\_\_\_

Have questions? Call us at (800) 436-7800

### WIND SPEED

POLE <sup>1</sup>	Mtg. Height Length (ft)	Wall Thick (ga)	BOLT CIRCLE			EPA									
			Designator	Dia. (in)	Anchor Bolt Dia (in)	110 MPH	115 MPH	120 MPH	130 MPH	140 MPH	150 MPH	160 MPH	170 MPH	180 MPH	
5" x 7-ga x 26'	26	7	G	12"	1	17.0	14.8	13.0	10.2	7.9	6.0	4.4	3.1	2.1	
5" x 7-ga x 26'	26	7	G	13"	1	15.3	13.5	11.8	9.0	6.8	5.0	3.6	2.5	1.4	
5" x 7-ga x 28'	28	7	G	11"	0.75	8.9	7.4	6.3	4.3	2.7	1.4	-	-	-	
5" x 7-ga x 28'	28	7	G	12"	0.75	10.2	8.8	7.5	5.3	3.5	2.1	1.0	-	-	
5" x 7-ga x 28'	28	7	G	13"	0.75	11.8	10.2	8.8	6.4	4.5	3.0	1.7	0.7	-	
5" x 7-ga x 28'	28	7	G	11"	1	12.5	10.9	9.5	7.0	5.0	3.3	2.1	1.0	-	
5" x 7-ga x 28'	28	7	G	12"	1	14.2	12.4	11.0	8.2	6.0	4.3	3.0	1.7	0.8	
5" x 7-ga x 28'	28	7	G	13"	1	12.9	11.0	9.7	7.2	5.2	3.6	2.2	1.1	-	
5" x 7-ga x 30'	30	7	G	11"	0.75	7.0	5.8	4.7	2.8	1.3	-	-	-	-	
5" x 7-ga x 30'	30	7	G	12"	0.75	8.4	7.0	5.8	3.8	2.2	0.9	-	-	-	
5" x 7-ga x 30'	30	7	G	13"	0.75	9.7	8.2	7.0	4.8	3.0	1.6	0.5	-	-	
5" x 7-ga x 30'	30	7	G	11"	1	10.4	8.8	7.6	5.3	3.4	2.0	0.8	-	-	
5" x 7-ga x 30'	30	7	G	12"	1	12.0	10.3	9.0	6.4	4.4	2.9	1.6	0.5	-	
5" x 7-ga x 30'	30	7	G	13"	1	10.6	9.1	7.7	5.5	3.6	2.1	1.0	-	-	
5" x 7-ga x 35'	35	7	G	11"	0.75	3.2	2.2	1.2	-	-	-	-	-	-	
5" x 7-ga x 35'	35	7	G	12"	0.75	4.4	3.2	2.2	0.5	-	-	-	-	-	
5" x 7-ga x 35'	35	7	G	13"	0.75	5.5	4.2	3.1	1.3	-	-	-	-	-	
5" x 7-ga x 35'	35	7	G	11"	1	6.0	4.8	3.6	1.8	-	-	-	-	-	
5" x 7-ga x 35'	35	7	G	12"	1	7.3	6.0	4.8	2.7	1.1	-	-	-	-	
5" x 7-ga x 35'	35	7	G	13"	1	6.3	5.0	3.8	1.9	-	-	-	-	-	
6" x 7-ga x 24'	24	7	H	11"	1	16.5	14.4	12.6	9.6	7.2	5.3	3.8	2.5	1.4	
6" x 7-ga x 24'	24	7	H	12-1/2"	1	19.8	17.5	15.4	12.0	9.2	7.0	5.3	3.8	2.7	
6" x 7-ga x 24'	24	7	H	14"	1	23.0	20.5	18.0	14.3	11.2	8.9	6.9	5.3	3.8	
6" x 7-ga x 26'	26	7	H	11"	1	13.7	11.8	10.2	7.5	5.3	3.6	2.1	1.0	-	
6" x 7-ga x 26'	26	7	H	12-1/2"	1	16.5	14.6	12.6	9.6	7.0	5.2	3.6	2.2	1.1	
6" x 7-ga x 26'	26	7	H	14"	1	19.6	17.3	15.2	11.7	8.9	6.7	5.0	3.5	2.2	
6" x 7-ga x 28'	28	7	H	11"	1	11.0	9.3	7.8	5.5	3.5	1.9	0.6	-	-	
6" x 7-ga x 28'	28	7	H	12-1/2"	1	13.8	12.0	10.2	7.5	5.2	3.4	1.9	0.7	-	
6" x 7-ga x 28'	28	7	H	14"	1	16.4	14.5	12.5	9.4	6.9	4.7	3.2	1.8	0.7	
6" x 7-ga x 30'	30	7	H	11"	1	9.0	7.3	6.0	3.6	1.9	0.5	-	-	-	
6" x 7-ga x 30'	30	7	H	12-1/2"	1	11.4	9.6	8.0	5.5	3.4	1.7	-	-	-	
6" x 7-ga x 30'	30	7	H	14"	1	14.0	12.0	10.0	7.2	5.0	3.2	1.6	-	-	
6" x 7-ga x 32'	32	7	H	11"	1	7.0	5.5	4.2	2.0	-	-	-	-	-	
6" x 7-ga x 32'	32	7	H	12-1/2"	1	9.2	7.6	6.0	3.8	1.8	-	-	-	-	
6" x 7-ga x 32'	32	7	H	14"	1	11.4	9.7	8.0	5.4	3.2	1.6	-	-	-	
6" x 7-ga x 34'	34	7	H	11"	1	5.1	3.7	2.5	0.6	-	-	-	-	-	
6" x 7-ga x 34'	34	7	H	12-1/2"	1	7.2	5.6	4.4	2.2	-	-	-	-	-	
6" x 7-ga x 34'	34	7	H	14"	1	9.3	7.6	6.2	3.6	1.7	-	-	-	-	
6" x 7-ga x 35'	35	7	H	11"	1	4.2	3.0	1.8	-	-	-	-	-	-	
6" x 7-ga x 35'	35	7	H	12-1/2"	1	6.2	4.8	3.6	1.4	-	-	-	-	-	
6" x 7-ga x 35'	35	7	H	14"	1	8.2	6.6	5.2	2.9	1.0	-	-	-	-	
6" x 7-ga x 39'	39	7	H	11"	1	1.0	-	-	-	-	-	-	-	-	
6" x 7-ga x 39'	39	7	H	12-1/2"	1	3.0	1.6	0.5	-	-	-	-	-	-	
6" x 7-ga x 39'	39	7	H	14"	1	4.6	3.3	2.0	-	-	-	-	-	-	



Catalog #: \_\_\_\_\_ Project: \_\_\_\_\_ Type: \_\_\_\_\_  
Prepared By: \_\_\_\_\_ Date: \_\_\_\_\_

## V-Locity Small (VALS)

### Outdoor LED Area Light



OVERVIEW	
Lumen Package	6,000 - 27,000
Wattage Range	36 - 178
Efficacy Range (LPW)	96 - 171
Weight lbs(kg)	20 (9.1)
Control Options	IMSBT, ALB, ALS, 7-Pin, PCI

#### QUICK LINKS

[Ordering Guide](#)

[Performance](#)

[Photometrics](#)

[Dimensions](#)

#### FEATURES & SPECIFICATIONS

##### Construction

- Rugged die-cast aluminum housing contains factory prewired driver and optical units. Cast aluminum wiring access door located underneath.
- Self-contained optic, board and heat sink assembly can be rotated or replaced in the field.
- Fixtures are finished with LSI's DuraGrip® polyester powder coat finishing process. The DuraGrip finish withstands extreme weather changes without cracking or peeling. Other standard LSI finishes available. Consult factory.
- Shipping weight: TBD lbs in carton.

##### Optical System

- State-of-the-Art acrylic optics delivers industry leading optical control with an integrated gasket to provide IP66 rated seal.
- Proprietary refractor optics provide exceptional coverage and uniformity in distribution types 2, 3M, 3W, 4M, 4W, 4F, FTM, 5QN, 5QM, 5Q, 5QW, AM, WF and LC/RC.
- Available in 5000K, 4000K, 3500K, 3000K and 2700K color temperatures per ANSI C78.377 as well as phosphor converted amber.
- Minimum CRI of 80 (optional 70 CRI for 5000K and 4000K).
- Factory or field installable integral shielding available for enhanced spill light control.
- Zero Uplight (excludes adjustable arms).

##### Electrical

- High-performance driver features over-voltage, under voltage, short-circuit and over temperature protection.
- 0-10 volt dimming (10% - 100%) standard, must specify EXT option for dimming leads to be extended to fixture exterior.
- Standard Universal Voltage (120-277 VAC) Input 50/60 Hz or optional High Voltage (347-480 VAC).
- L70 Calculated Life: >60k Hours
- Total harmonic distortion: <20%
- Operating temperature: -40°C to +50°C (-40°F to +122°F).
- Power factor: >.90
- Input power stays constant over life.
- Field replaceable 10kV surge protection device meets a minimum Category C Low operation (per ANSI/IEEE C62.41.2).
- High-efficiency LEDs mounted to metal-core circuit board to maximize heat dissipation
- Driver is fully encased in potting material for moisture resistance and complies with FCC standards. Driver and key electronic components can easily be accessed.

##### Controls

- Optional integral passive infrared Bluetooth™ motion and photocell sensor. Fixtures operate independently and can be commissioned via iOS or Android configuration app.
- LSI's AirLink™ wireless control system options reduce energy and maintenance costs while optimizing light quality 24/7.

##### Installation

- REDiMount pole mount arm allows for a true one person installation.
- Side arm pole mount designed to mount to square or round poles.
- Pole mount arms can accommodate pole drill patterns from 2.4 to 5" on center and utilize LSI's reduced B3 or traditional B5 drill patterns.
- Additional mounting options are available including a mast arm or adjustable slip fitter that allow for luminaire attachment to a 2 3/8" tenon or mast arm.
- Adjustable arms allow for 65° of tilt (-5° below horizontal to +60° above horizontal) in 5° increments.

##### Warranty

- LSI luminaires carry a 5-year limited warranty. Refer to <https://www.lsicorp.com/resources/terms-conditions-warranty/> for more information.

##### Listings

- Listed to UL 1598 and UL 8750.
- Meets Buy American Act requirements.
- DarkSky approved with 3000K or warmer color temperature selection (side arm pole and mast arm mounting only).
- Title 24 Compliant; see local ordinance for qualification information.
- Suitable for wet locations.
- IP66 rated Luminaire per IEC 60598-1.
- 3G rated for ANSI C136.31 high vibration applications are qualified.





Date: 10/17/2024

Project: MARTIN STREET BUS TERMINAL

Description: VALS-15L-RC-UNV-50K7-BLK-SA-IS

Line Item#: 7  
Go to Bill of Materials

Type: C2

Powered by 4submittal.com

# V-Locity Small (VALS) Outdoor LED Area Light

Type : \_\_\_\_\_

**Have questions?** Call us at (800) 436-7800

## ORDERING GUIDE

[Back to Quick Links](#)

TYPICAL ORDER EXAMPLE: VALS 18L 4W UNV 40K8 BLK SA ALBMR2LR IS						
Prefix	Lumen Package	Distribution	Orientation <sup>2</sup>	Voltage	Color Temp / Rendering	Finish
<b>VALS</b> - V-Locity Area Light Small	<b>6L</b> - 6,000 lms, 36W <b>9L</b> - 9,000 lms, 54W <b>12L</b> - 12,000 lms, 74W <b>15L</b> - 15,000 lms, 91W <b>18L</b> - 18,000 lms, 111W <b>21L</b> - 21,000 lms, 130W <b>24L</b> - 24,000 lms, 155W <b>27L</b> - 27,000 lms, 178W Custom Lumen Packages <sup>1</sup>	<b>2</b> - Type 2 <b>3M</b> - Type 3 Medium <b>3W</b> - Type 3 Wide <b>4M</b> - Type 4 Medium <b>4F</b> - Type 4 Forward <b>4W</b> - Type 4 Wide <b>FTM</b> - Forward Throw Medium <b>5QN</b> - Type 5 Square Narrow <b>5QM</b> - Type 5 Square Medium <b>5Q</b> - Type 5 Square <b>5QW</b> - Type 5 Square Wide <b>AM</b> - Automotive Merchandise <b>WF</b> - 6x6 Wide Flood <b>LC</b> - Left Corner <b>RC</b> - Right Corner	<b>(Blank)</b> - Standard <b>L</b> - Optics rotated left 90° <b>R</b> - Optics rotated right 90°	<b>UNV</b> - Universal Voltage (120-277V) <b>HV</b> - High Voltage (347-480V)	<b>50K7</b> - 5000 CCT - 70 CRI <b>50K8</b> - 5000 CCT - 80 CRI <b>40K7</b> - 4000 CCT - 70 CRI <b>40K8</b> - 4000 CCT - 80 CRI <b>35K8</b> - 3500 CCT - 80 CRI <b>30K8</b> - 3000 CCT - 80 CRI <b>27K8</b> - 2700 CCT - 80 CRI	<b>BLK</b> - Black <b>BRZ</b> - Dark Bronze <b>GMG</b> - Gun Metal Gray <b>GPT</b> - Graphite <b>MSV</b> - Metallic Silver <b>PLP</b> - Platinum Plus <b>SVG</b> - Satin Verde Green <b>WHT</b> - White

Mounting	Controls (Choose One)	Options
<b>SA</b> - Universal Side Arm Pole Mount <b>SF</b> - Adjustable Slip Fitter <b>UA</b> - Universal Adjustable Pole Mount Arm <b>MA</b> - Mast Arm	<b>(Blank)</b> - None <b>Wireless Controls System</b> <b>ALSC</b> - AirLink Synapse Control System <b>ALSCS2</b> - AirLink Synapse Control System with 12-20' MH Motion Sensor <b>ALSCS4</b> - AirLink Synapse Control System with 20-40' MH Motion Sensor  <b>ALBMR1LR</b> - AirLink Blue Long Range Wireless Multi-Range Sensor Controller (8-15' MH) <sup>4</sup> <b>ALBMR2LR</b> - AirLink Blue Long Range Wireless Multi-Range Sensor Controller (16-40' MH) <sup>4</sup>	<b>IS</b> - Integral Shield <sup>2</sup> <b>TE</b> - Toolless Entry (Mast Arm Only)  <b>Stand-Alone Controls</b> <b>EXT</b> - 0-10v Dimming leads extended to housing exterior <b>CR7P</b> - 7 Pin Control Receptacle ANSI C136.41 <sup>3</sup>  <b>IMSBTL1</b> - Integral Bluetooth™ Motion and Photocell Sensor (8-24' MH) <sup>4</sup> <b>IMSBTL2</b> - Integral Bluetooth™ Motion and Photocell Sensor (25-40' MH) <sup>4</sup>  <b>PCIU</b> - 120-277 Button Photocell <b>PCI347</b> - 347V Button Photocell



**Need more information?**  
Click here for our glossary

**Have additional questions?**  
Call us at (800) 436-7800



## Accessory Ordering Information<sup>5</sup>

CONTROLS ACCESSORIES	
Description	Order Number
Twist Lock Photocell (120V) for use with CR7P	<b>122514</b>
Twist Lock Photocell (208-277) for use with CR7P	<b>122515</b>
Twist Lock Photocell (347V) for use with CR7P	<b>122516</b>
Twist Lock Photocell (480V) for use with CR7P	<b>1225180</b>
AirLink 5 Pin Twist Lock Controller	<b>661409</b>
AirLink 7 Pin Twist Lock Controller	<b>661410</b>
Shorting Cap for use with CR7P	<b>149328</b>

FUSING OPTIONS <sup>7</sup>	
Description	Order Number
Single Fusing (120V)	<a href="#">See Fusing Accessory Guide</a>
Single Fusing (277V)	
Double Fusing (208V, 240V)	
Double Fusing (480V)	
Double Fusing (347V)	

EXTERNAL SHIELDING OPTIONS	
Description	Order Number
1.5" External Shield	<a href="#">See Shielding Guide</a>
3" External Shield	<a href="#">Guide</a>

- Custom lumen and wattage packages available, consult factory. Values are within industry standard tolerances but not DLC listed.
- Not available on Type 5 or wide flood distributions.
- Control device or shorting cap must be ordered separately. See Accessory Ordering Information.
- Motion sensors are field configurable via the LSI app that can be downloaded from your smartphone's native app store.
- Accessories are shipped separately and field installed.
- "CLR" denotes finish. See Finish options.
- Fusing must be located in hand hole of pole. See [Fusing Accessory Guide](#) for compatibility.

## V-Locity Small (VALS) Outdoor LED Area Light

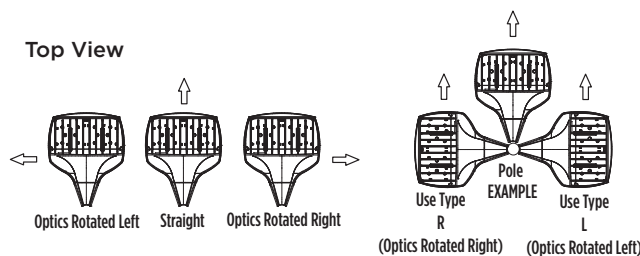
Type : \_\_\_\_\_

Have questions? Call us at (800) 436-7800

### ACCESSORIES

MOUNTING ACCESSORIES		SHIELDING, POLES & MISC. ACCESSORIES			
Side Arm	<b>Bullhorn Bracket</b> Mounts onto a 2" (51mm) IP, 2.375" (60mm) O.D. tenon and allows for mounting up to 4 adjustable slip fitter mount luminaires <b>Part Number: BKS PTB 2 CLR / BKS PTB 12 CLR (2 Luminaires)</b> <b>Part Number: BKS PTB 3-30 CLR / BKS PTB 13-30 CLR (3 Luminaires)</b> <b>Part Number: BKS PTB 4 CLR / BKS PTB 14 CLR (4 Luminaires)</b>		<b>Integral Shield for Asymmetric Distributions</b> Field Install Integral shield provides maximum backlight control by shielding each individual row of LEDs with minimal impact on Street/front side distribution (includes 2 shields) <b>Part Number: 839727</b>		
	<b>Flood Wall Mount Bracket</b> Mounts onto vertical wall surface (hardware/anchors not included) <b>Part Number: BKS FMW 5 CLR (5" Straight Version)</b> <b>Part Number: BKS FMW 18 CLR (18" Curved Version)</b>			<b>Integral Shield for Left and Right Corner Distributions</b> Field install integral shield provides cutoff from two sides for maximum spill light control when utilizing LC or RC corner distributions (includes 2 shields) <b>Part Number: TBD</b>	
	<b>Bolt on Side Tenon Mount</b> Bolt on Side Tenon Mount <b>Part Number: BKSFB0 5 CLR (5" Straight Version)</b> <b>Part Number: BKSFB0 18 CLR (18" Curved Version)</b> <b>Part Number: BKSFB0 30 CLR (30" Dual Tenon Version)</b>				<b>External Shield</b> External shield blocks view of light source from anyside of luminaire, additional shielding configurations available <b>Part Number: 835696 (1.5") / 835694 (3")</b>
Tenon / Slipfitter	<b>Square Tenon Top</b> Allows to seamlessly integrate LSI luminaires to open top 4", 5" or 6" square poles with 11 ga. Or 7 ga. wall thickness <b>Part Number: BKA ISF10 _SQ CLR</b>		<b>Square Poles</b> 14 - 39" steel and aluminum poles in 4", 5" and 6" sizes for retrofit and new construction <b>Part Number: 45Q/55Q/65Q</b>		
	<b>Square Tenon Top</b> Mounts onto a 2" (51mm) IP, 2.375" (60mm) O.D. tenon and allows for mounting up to 4 luminaires <b>Part Number: BKA XMM *</b>			<b>Round Poles</b> 10 - 30" steel and aluminum poles in 4" and 5" sizes for retrofit and new construction <b>Part Number: 4RP/SRP</b>	
	<b>Square Internal Slipfitter</b> Mounts inside 4" or 5" square pole and allows for mounting up to 4 luminaires <b>Part Number: BKA X_ISF * CLR</b>			<b>Tapered Poles</b> 20" - 39" steel and aluminum poles for retrofit and new construction <b>Part Number: RTP</b>	
Wall Mount/Wood Pole	<b>Wall Mount Bracket</b> Mounts onto vertical wall surface ( hardware/anchors not included) <b>Part Number: BKS XBO WM CLR</b>		<b>Bird Spikes</b> 10' linear bird spike (3' recommended per luminaire) silicone adhesive (covers approximately 25' linear fee of bird spike) and application tool <b>Spike Part Number: 751631</b> <b>Adhesive Part Number: 751632</b> <b>Caulk Gun Part Number: 751636</b>		
	<b>Wood Pole Bracket</b> Mounts onto wooden poles (6" minimum OD, hardware/anchors not included) <b>Part Number: BKS XBO WP CLR</b>			<ol style="list-style-type: none"> <li>1 Replace CLR with paint finish description</li> <li>2 Replace XX with SQ for square pole or RD for round pole (≥3" OD)</li> <li>3 Replace * with S (Single), D180 (Double @180°), D90 (Double @90°), T90 (Triple), Q90 (Quad)</li> <li>4 Replace _ with 4 (4" square pole) or 5 (5" square pole)</li> </ol>	

### OPTICS ROTATION



### ACCESSORIES/OPTIONS

#### Integral Shield (IS)

Integral Shield (IS) available for improved backlight control without sacrificing Street side performance. LSI's Integral Shield (IS) option delivers backlight control that significantly reduces spill light behind the pole for applications with pole locations close to adjacent properties. The design maximizes forward reflected light while reducing glare, maintaining the optical distribution selected, and most importantly eliminating light trespass. Shields rotate with the optical distribution.



#### 7 Pin Photoelectric Control

7-pin ANSI C136.41-2013 control receptacle option available for twist lock photocontrols or wireless control modules. Control accessories sold separately. Dimming leads from the receptacle will be connected to the driver dimming leads (Consult factory for alternate wiring).





Date: 10/17/2024

Project:  
MARTIN STREET BUS  
TERMINAL

Description:  
VALS-15L-RC-UNV-50K7-BLK-SA-IS

Line Item#: 7  
Go to Bill of Materials

Type: C2

Powered by 4submittal.com

# V-Locity Small (VALS) Outdoor LED Area Light

Type : \_\_\_\_\_

Have questions? Call us at (800) 436-7800

## PERFORMANCE

[Back to Quick Links](#)

Delivered Lumens (70 CRI)									
Lumen Package	Distribution	CRI	4000K CCT			5000K CCT			Wattage
			Delivered Lumens	Efficacy	BUG Rating	Delivered Lumens	Efficacy	BUG Rating	
6L	2	70	5,696	158	B1-U0-G3	5,709	157	B1-U0-G3	36
	3M		5,432	151	B1-U0-G2	5,444	150	B1-U0-G2	
	3W		5,148	143	B1-U0-G3	5,160	142	B1-U0-G3	
	4M		5,524	153	B1-U0-G2	5,537	152	B1-U0-G2	
	4F		5,251	146	B1-U0-G3	5,263	145	B1-U0-G3	
	4W		4,811	134	B1-U0-G3	4,822	133	B1-U0-G3	
	FTM		5,297	147	B1-U0-G2	5,309	146	B1-U0-G2	
	5QN		6,025	167	B2-U0-G1	6,038	166	B2-U0-G1	
	5QM		6,141	171	B3-U0-G1	6,155	169	B3-U0-G1	
	5Q		5,917	164	B3-U0-G1	5,931	163	B3-U0-G1	
	5QW		5,748	160	B3-U0-G2	5,761	159	B3-U0-G1	
	AM		5,908	164	B0-U0-G1	5,921	163	B0-U0-G1	
	WF		6,097	169	B2-U0-G0	6,111	168	B2-U0-G0	
	LC/RC		4,974	138	B1-U0-G3	4,985	137	B1-U0-G3	
9L	2	70	8,562	159	B2-U0-G3	8,581	159	B2-U0-G3	54
	3M		8,165	151	B1-U0-G3	8,184	152	B1-U0-G3	
	3W		7,739	143	B1-U0-G3	7,756	144	B1-U0-G3	
	4M		8,304	154	B1-U0-G3	8,323	154	B1-U0-G3	
	4F		7,894	146	B1-U0-G4	7,911	147	B1-U0-G3	
	4W		7,232	134	B1-U0-G3	7,248	134	B1-U0-G3	
	FTM		7,963	147	B1-U0-G2	7,981	148	B1-U0-G2	
	5QN		9,056	168	B3-U0-G1	9,077	168	B3-U0-G1	
	5QM		9,231	171	B3-U0-G2	9,252	171	B3-U0-G2	
	5Q		8,895	165	B3-U0-G2	8,915	165	B3-U0-G2	
	5QW		8,640	160	B4-U0-G2	8,659	160	B4-U0-G2	
	AM		8,880	164	B0-U0-G2	8,900	165	B0-U0-G2	
	WF		9,165	170	B3-U0-G0	9,186	170	B3-U0-G0	
	LC/RC		7,477	138	B1-U0-G3	7,494	139	B1-U0-G3	
12L	2	70	11,651	157	B2-U0-G3	11,677	158	B2-U0-G3	74
	3M		11,111	150	B1-U0-G3	11,136	151	B1-U0-G3	
	3W		10,531	142	B2-U0-G4	10,554	143	B2-U0-G4	
	4M		11,300	153	B1-U0-G3	11,325	153	B1-U0-G3	
	4F		10,741	145	B1-U0-G4	10,765	146	B1-U0-G4	
	4W		9,840	133	B1-U0-G3	9,862	133	B1-U0-G3	
	FTM		10,835	146	B1-U0-G3	10,859	147	B1-U0-G3	
	5QN		12,323	167	B3-U0-G1	12,351	167	B3-U0-G1	
	5QM		12,561	170	B4-U0-G2	12,589	170	B4-U0-G2	
	5Q		12,104	164	B4-U0-G2	12,131	164	B4-U0-G2	
	5QW		11,757	159	B4-U0-G2	11,783	159	B4-U0-G2	
	AM		12,083	163	B1-U0-G2	12,111	164	B1-U0-G2	
	WF		12,471	169	B3-U0-G1	12,499	169	B3-U0-G1	
	LC/RC		10,175	137	B2-U0-G3	10,197	138	B2-U0-G3	



Date: 10/17/2024

Project:  
MARTIN STREET BUS  
TERMINAL

Description:  
VALS-15L-RC-UNV-50K7-BLK-SA-IS

Line Item#: 7  
Go to Bill of Materials

Type: C2

Powered by 4submittal.com

# V-Locity Small (VALS) Outdoor LED Area Light

Type : \_\_\_\_\_

Have questions? Call us at (800) 436-7800

## PERFORMANCE

[Back to Quick Links](#)

Delivered Lumens (70 CRI)									
Lumen Package	Distribution	CRI	4000K CCT			5000K CCT			Wattage
			Delivered Lumens	Efficacy	BUG Rating	Delivered Lumens	Efficacy	BUG Rating	
15L	2	70	14,118	155	B2-U0-G4	14,150	156	B2-U0-G4	91
	3M		13,464	148	B1-U0-G3	13,494	149	B1-U0-G3	
	3W		12,761	140	B2-U0-G4	12,789	141	B2-U0-G4	
	4M		13,693	150	B1-U0-G3	13,724	151	B1-U0-G3	
	4F		13,016	143	B2-U0-G5	13,045	144	B1-U0-G5	
	4W		11,924	131	B1-U0-G4	11,951	132	B1-U0-G4	
	FTM		13,130	144	B1-U0-G3	13,159	145	B1-U0-G3	
	5QN		14,933	164	B3-U0-G2	14,966	165	B3-U0-G2	
	5QM		15,221	167	B4-U0-G2	15,255	168	B4-U0-G2	
	5Q		14,667	161	B4-U0-G2	14,699	162	B4-U0-G2	
	5QW		14,246	157	B4-U0-G2	14,278	158	B4-U0-G2	
	AM		14,642	161	B1-U0-G2	14,675	162	B1-U0-G2	
	WF		15,112	166	B3-U0-G1	15,146	167	B3-U0-G1	
	LC/RC		12,329	135	B2-U0-G4	12,357	136	B2-U0-G4	
18L	2	70	17,086	154	B3-U0-G4	17,124	154	B3-U0-G4	111
	3M		16,294	147	B2-U0-G4	16,331	147	B2-U0-G4	
	3W		15,443	139	B2-U0-G5	15,477	139	B2-U0-G5	
	4M		16,571	149	B1-U0-G4	16,608	150	B1-U0-G4	
	4F		15,751	142	B2-U0-G5	15,786	142	B2-U0-G5	
	4W		14,430	130	B2-U0-G4	14,462	130	B2-U0-G4	
	FTM		15,889	143	B1-U0-G3	15,925	144	B1-U0-G3	
	5QN		18,072	163	B4-U0-G2	18,112	163	B3-U0-G2	
	5QM		18,420	166	B4-U0-G2	18,461	166	B4-U0-G2	
	5Q		17,749	160	B4-U0-G2	17,789	160	B4-U0-G2	
	5QW		17,241	155	B5-U0-G3	17,279	156	B5-U0-G3	
	AM		17,720	160	B1-U0-G2	17,760	160	B1-U0-G2	
	WF		18,289	165	B4-U0-G1	18,330	165	B4-U0-G1	
	LC/RC		14,920	134	B2-U0-G4	14,954	135	B2-U0-G4	



Date: 10/17/2024

Project:  
MARTIN STREET BUS  
TERMINAL

Description:  
VALS-15L-RC-UNV-50K7-BLK-SA-IS

Line Item#: 7  
Go to Bill of Materials

Type: C2

Powered by 4submittal.com

# V-Locity Small (VALS) Outdoor LED Area Light

Type : \_\_\_\_\_

Have questions? Call us at (800) 436-7800

## PERFORMANCE

[Back to Quick Links](#)

Delivered Lumens (70 CRI)									
Lumen Package	Distribution	CRI	4000K CCT			5000K CCT			Wattage
			Delivered Lumens	Efficacy	BUG Rating	Delivered Lumens	Efficacy	BUG Rating	
21L	2	70	19,582	151	B3-U0-G5	19,625	151	B3-U0-G5	130
	3M		18,674	144	B2-U0-G4	18,716	144	B2-U0-G4	
	3W		17,699	136	B3-U0-G5	17,738	136	B3-U0-G5	
	4M		18,992	146	B1-U0-G4	19,034	146	B1-U0-G4	
	4F		18,053	139	B2-U0-G5	18,093	139	B2-U0-G5	
	4W		16,538	127	B2-U0-G5	16,575	127	B2-U0-G5	
	FTM		18,210	140	B1-U0-G3	18,251	140	B1-U0-G3	
	5QN		20,712	159	B4-U0-G2	20,758	159	B4-U0-G2	
	5QM		21,111	162	B5-U0-G3	21,158	162	B5-U0-G3	
	5Q		20,342	156	B5-U0-G3	20,388	156	B5-U0-G3	
	5QW		19,759	152	B5-U0-G3	19,804	152	B5-U0-G3	
	AM		20,308	156	B1-U0-G2	20,354	156	B1-U0-G2	
	WF		20,960	161	B4-U0-G1	21,007	161	B4-U0-G1	
	LC/RC		17,100	132	B3-U0-G5	17,138	132	B3-U0-G5	
24L	2	70	22,609	146	B3-U0-G5	22,660	146	B3-U0-G5	155
	3M		21,561	139	B2-U0-G4	21,610	139	B2-U0-G4	
	3W		20,435	132	B3-U0-G5	20,480	132	B3-U0-G5	
	4M		21,928	141	B1-U0-G5	21,977	142	B1-U0-G5	
	4F		20,844	134	B2-U0-G5	20,890	135	B2-U0-G5	
	4W		19,095	123	B2-U0-G5	19,138	123	B2-U0-G5	
	FTM		21,026	136	B1-U0-G4	21,073	136	B1-U0-G4	
	5QN		23,914	154	B4-U0-G2	23,967	154	B4-U0-G2	
	5QM		24,375	157	B5-U0-G3	24,430	157	B5-U0-G3	
	5Q		23,487	152	B5-U0-G3	23,540	152	B5-U0-G3	
	5QW		22,815	147	B5-U0-G3	22,865	147	B5-U0-G3	
	AM		23,448	151	B1-U0-G2	23,501	151	B1-U0-G2	
	WF		24,201	156	B4-U0-G1	24,255	156	B4-U0-G1	
	LC/RC		19,744	127	B3-U0-G5	19,788	127	B3-U0-G5	
27L	2	70	25,235	142	B3-U0-G5	25,292	142	B3-U0-G5	178
	3M		24,066	135	B2-U0-G5	24,120	136	B2-U0-G5	
	3W		22,808	128	B3-U0-G5	22,859	129	B3-U0-G5	
	4M		24,475	137	B2-U0-G5	24,530	138	B2-U0-G5	
	4F		23,265	131	B2-U0-G5	23,316	131	B2-U0-G5	
	4W		21,313	120	B2-U0-G5	21,361	121	B2-U0-G5	
	FTM		23,468	132	B2-U0-G4	23,521	133	B2-U0-G4	
	5QN		26,691	150	B4-U0-G2	26,751	151	B4-U0-G2	
	5QM		27,206	153	B5-U0-G3	27,267	153	B5-U0-G3	
	5Q		26,215	147	B5-U0-G3	26,274	148	B5-U0-G3	
	5QW		25,464	143	B5-U0-G4	25,521	144	B5-U0-G4	
	AM		26,172	147	B1-U0-G3	26,231	148	B1-U0-G3	
	WF		27,012	152	B5-U0-G1	27,073	152	B4-U0-G1	
	LC/RC		22,037	124	B3-U0-G5	22,086	125	B3-U0-G5	



## V-Locity Small (VALS) Outdoor LED Area Light

Type : \_\_\_\_\_

Have questions? Call us at (800) 436-7800

### PERFORMANCE

[Back to Quick Links](#)

Delivered Lumens (80 CRI)												
Lumen Package	Distribution	CRI	2700K CCT / 80 CRI			3000K CCT / 80 CRI			3500K CCT / 80 CRI			Wattage
			Delivered Lumens	Efficacy	BUG Rating	Delivered Lumens	Efficacy	BUG Rating	Delivered Lumens	Efficacy	BUG Rating	
6L	2	80	4,843	133	B1-U0-G2	4,985	137	B1-U0-G2	5,009	138	B1-U0-G2	36
	3M		4,619	127	B1-U0-G2	4,754	131	B1-U0-G2	4,777	131	B1-U0-G2	
	3W		4,377	120	B1-U0-G3	4,505	124	B1-U0-G3	4,527	125	B1-U0-G3	
	4M		4,697	129	B0-U0-G2	4,835	133	B0-U0-G2	4,858	134	B0-U0-G2	
	4F		4,465	123	B1-U0-G3	4,595	126	B1-U0-G3	4,618	127	B1-U0-G3	
	4W		4,090	113	B1-U0-G2	4,210	116	B1-U0-G2	4,230	116	B1-U0-G2	
	FTM		4,504	124	B0-U0-G2	4,636	128	B0-U0-G2	4,658	128	B0-U0-G2	
	5QN		5,122	141	B2-U0-G0	5,272	145	B2-U0-G1	5,298	146	B2-U0-G0	
	5QM		5,221	144	B3-U0-G1	5,374	148	B3-U0-G1	5,400	149	B3-U0-G1	
	5Q		5,031	138	B3-U0-G1	5,178	143	B3-U0-G1	5,203	143	B3-U0-G1	
	5QW		4,887	134	B3-U0-G1	5,030	138	B3-U0-G1	5,054	139	B3-U0-G1	
	AM		5,023	138	B0-U0-G1	5,170	142	B0-U0-G1	5,195	143	B0-U0-G1	
	WF		5,184	143	B2-U0-G0	5,336	147	B2-U0-G0	5,362	148	B2-U0-G0	
	LC/RC		4,229	116	B1-U0-G2	4,353	120	B1-U0-G2	4,374	120	B1-U0-G2	
9L	2	80	7,280	135	B1-U0-G3	7,493	139	B1-U0-G3	7,529	139	B1-U0-G3	54
	3M		6,943	129	B1-U0-G2	7,146	132	B1-U0-G2	7,181	133	B1-U0-G2	
	3W		6,580	122	B1-U0-G3	6,772	125	B1-U0-G3	6,805	126	B1-U0-G3	
	4M		7,061	131	B1-U0-G3	7,267	135	B1-U0-G3	7,303	135	B1-U0-G3	
	4F		6,711	124	B1-U0-G3	6,908	128	B1-U0-G3	6,941	129	B1-U0-G3	
	4W		6,148	114	B1-U0-G3	6,328	117	B1-U0-G3	6,359	118	B1-U0-G3	
	FTM		6,770	125	B1-U0-G2	6,968	129	B1-U0-G2	7,002	130	B1-U0-G2	
	5QN		7,700	143	B2-U0-G1	7,925	147	B3-U0-G1	7,964	148	B2-U0-G1	
	5QM		7,848	145	B3-U0-G2	8,078	150	B3-U0-G2	8,117	150	B3-U0-G2	
	5Q		7,562	140	B3-U0-G2	7,784	144	B3-U0-G2	7,822	145	B3-U0-G2	
	5QW		7,346	136	B3-U0-G2	7,561	140	B3-U0-G2	7,598	141	B3-U0-G2	
	AM		7,550	140	B0-U0-G1	7,771	144	B0-U0-G1	7,809	145	B0-U0-G1	
	WF		7,792	144	B3-U0-G0	8,020	149	B3-U0-G0	8,060	149	B3-U0-G0	
	LC/RC		6,357	118	B1-U0-G3	6,543	121	B1-U0-G3	6,575	122	B1-U0-G3	
12L	2	80	9,906	134	B2-U0-G3	10,196	138	B2-U0-G3	10,245	139	B2-U0-G3	74
	3M		9,447	128	B1-U0-G3	9,723	132	B1-U0-G3	9,771	132	B1-U0-G3	
	3W		8,953	121	B2-U0-G3	9,215	125	B2-U0-G4	9,260	125	B2-U0-G3	
	4M		9,608	130	B1-U0-G3	9,889	134	B1-U0-G3	9,937	134	B1-U0-G3	
	4F		9,132	124	B1-U0-G4	9,399	127	B1-U0-G4	9,445	128	B1-U0-G4	
	4W		8,366	113	B1-U0-G3	8,611	117	B1-U0-G3	8,653	117	B1-U0-G3	
	FTM		9,212	125	B1-U0-G3	9,482	128	B1-U0-G3	9,528	129	B1-U0-G3	
	5QN		10,477	142	B3-U0-G1	10,784	146	B3-U0-G1	10,837	147	B3-U0-G1	
	5QM		10,680	145	B4-U0-G2	10,992	149	B4-U0-G2	11,046	149	B4-U0-G2	
	5Q		10,291	139	B4-U0-G2	10,592	143	B4-U0-G2	10,643	144	B4-U0-G2	
	5QW		9,996	135	B4-U0-G2	10,288	139	B4-U0-G2	10,338	140	B4-U0-G2	
	AM		10,274	139	B1-U0-G2	10,574	143	B1-U0-G2	10,626	144	B1-U0-G2	
	WF		10,603	144	B3-U0-G0	10,914	148	B3-U0-G0	10,967	148	B3-U0-G0	
	LC/RC		8,651	117	B2-U0-G3	8,904	121	B2-U0-G3	8,947	121	B2-U0-G3	



Date: 10/17/2024

Project:  
MARTIN STREET BUS  
TERMINAL

Description:  
VALS-15L-RC-UNV-50K7-BLK-SA-IS

Line Item#: 7  
Go to Bill of Materials

Type: C2

Powered by 4submittal.com

# V-Locity Small (VALS) Outdoor LED Area Light

Type : \_\_\_\_\_

Have questions? Call us at (800) 436-7800

## PERFORMANCE

[Back to Quick Links](#)

Delivered Lumens (80 CRI)									
Lumen Package	Distribution	CRI	4000K CCT / 80 CRI			5000K CCT / 80 CRI			Wattage
			Delivered Lumens	Efficacy	BUG Rating	Delivered Lumens	Efficacy	BUG Rating	
6L	2	80	5,219	144	B1-U0-G2	5,330	147	B1-U0-G2	36
	3M		4,978	137	B1-U0-G2	5,083	140	B1-U0-G2	
	3W		4,717	130	B1-U0-G3	4,818	133	B1-U0-G3	
	4M		5,062	139	B0-U0-G2	5,170	142	B0-U0-G2	
	4F		4,812	132	B1-U0-G3	4,914	135	B1-U0-G3	
	4W		4,408	121	B1-U0-G2	4,502	124	B1-U0-G2	
	FTM		4,854	134	B0-U0-G2	4,957	136	B0-U0-G2	
	5QN		5,521	152	B2-U0-G1	5,638	155	B2-U0-G1	
	5QM		5,627	155	B3-U0-G1	5,747	158	B3-U0-G1	
	5Q		5,422	149	B3-U0-G1	5,537	152	B3-U0-G1	
	5QW		5,267	145	B3-U0-G1	5,379	148	B3-U0-G1	
	AM		5,413	149	B0-U0-G1	5,528	152	B0-U0-G1	
	WF		5,587	154	B2-U0-G0	5,706	157	B2-U0-G0	
	LC/RC		4,558	125	B1-U0-G2	4,655	128	B1-U0-G2	
9L	2	80	7,846	145	B1-U0-G3	8,012	148	B1-U0-G3	54
	3M		7,482	139	B1-U0-G3	7,641	142	B1-U0-G3	
	3W		7,091	131	B1-U0-G3	7,242	134	B1-U0-G3	
	4M		7,609	141	B1-U0-G3	7,771	144	B1-U0-G3	
	4F		7,233	134	B1-U0-G3	7,387	137	B1-U0-G3	
	4W		6,626	123	B1-U0-G3	6,767	125	B1-U0-G3	
	FTM		7,296	135	B1-U0-G2	7,451	138	B1-U0-G2	
	5QN		8,298	154	B3-U0-G1	8,475	157	B3-U0-G1	
	5QM		8,458	157	B3-U0-G2	8,638	160	B3-U0-G2	
	5Q		8,150	151	B3-U0-G2	8,324	154	B3-U0-G2	
	5QW		7,917	147	B3-U0-G2	8,085	150	B3-U0-G2	
	AM		8,137	151	B0-U0-G1	8,310	154	B0-U0-G1	
	WF		8,398	156	B3-U0-G0	8,577	159	B3-U0-G0	
	LC/RC		6,851	127	B1-U0-G3	6,997	130	B1-U0-G3	
12L	2	80	10,676	144	B2-U0-G3	10,903	148	B2-U0-G3	74
	3M		10,181	138	B1-U0-G3	10,398	141	B1-U0-G3	
	3W		9,649	131	B2-U0-G4	9,854	133	B2-U0-G4	
	4M		10,354	140	B1-U0-G3	10,574	143	B1-U0-G3	
	4F		9,842	133	B1-U0-G4	10,051	136	B1-U0-G4	
	4W		9,017	122	B1-U0-G3	9,208	125	B1-U0-G3	
	FTM		9,928	134	B1-U0-G3	10,139	137	B1-U0-G3	
	5QN		11,292	153	B3-U0-G1	11,532	156	B3-U0-G1	
	5QM		11,510	156	B4-U0-G2	11,754	159	B4-U0-G2	
	5Q		11,090	150	B4-U0-G2	11,326	153	B4-U0-G2	
	5QW		10,773	146	B4-U0-G2	11,002	149	B4-U0-G2	
	AM		11,072	150	B1-U0-G2	11,308	153	B1-U0-G2	
	WF		11,428	155	B3-U0-G0	11,671	158	B3-U0-G0	
	LC/RC		9,323	126	B2-U0-G3	9,521	129	B2-U0-G3	

## V-Locity Small (VALS) Outdoor LED Area Light

Type : \_\_\_\_\_

Have questions? Call us at (800) 436-7800

### PERFORMANCE

[Back to Quick Links](#)

Delivered Lumens (80 CRI)												
Lumen Package	Distribution	CRI	2700K CCT / 80 CRI			3000K CCT / 80 CRI			3500K CCT / 80 CRI			Wattage
			Delivered Lumens	Efficacy	BUG Rating	Delivered Lumens	Efficacy	BUG Rating	Delivered Lumens	Efficacy	BUG Rating	
15L	2	80	12,004	132	B2-U0-G3	12,355	136	B2-U0-G3	12,415	137	B2-U0-G3	91
	3M		11,448	126	B1-U0-G3	11,783	130	B1-U0-G3	11,840	131	B1-U0-G3	
	3W		10,849	120	B2-U0-G4	11,167	123	B2-U0-G4	11,221	124	B2-U0-G4	
	4M		11,642	128	B1-U0-G3	11,983	132	B1-U0-G3	12,041	133	B1-U0-G3	
	4F		11,066	122	B1-U0-G4	11,390	126	B1-U0-G4	11,445	126	B1-U0-G4	
	4W		10,138	112	B1-U0-G3	10,435	115	B1-U0-G3	10,486	116	B1-U0-G3	
	FTM		11,163	123	B1-U0-G3	11,490	127	B1-U0-G3	11,546	127	B1-U0-G3	
	5QN		12,696	140	B3-U0-G1	13,068	144	B3-U0-G1	13,131	145	B3-U0-G1	
	5QM		12,941	143	B4-U0-G2	13,320	147	B4-U0-G2	13,385	148	B4-U0-G2	
	5Q		12,470	138	B4-U0-G2	12,835	142	B4-U0-G2	12,897	142	B4-U0-G2	
	5QW		12,113	134	B4-U0-G2	12,467	138	B4-U0-G2	12,528	138	B4-U0-G2	
	AM		12,449	137	B1-U0-G2	12,814	141	B1-U0-G2	12,876	142	B1-U0-G2	
	WF		12,849	142	B3-U0-G1	13,225	146	B3-U0-G1	13,289	147	B3-U0-G1	
	LC/RC		10,482	116	B2-U0-G3	10,789	119	B2-U0-G4	10,842	120	B2-U0-G3	
18L	2	80	14,526	131	B2-U0-G4	14,952	135	B2-U0-G4	15,024	135	B2-U0-G4	111
	3M		13,853	125	B1-U0-G3	14,259	129	B1-U0-G3	14,328	129	B1-U0-G3	
	3W		13,129	118	B2-U0-G4	13,514	122	B2-U0-G5	13,579	122	B2-U0-G4	
	4M		14,089	127	B1-U0-G3	14,501	131	B1-U0-G3	14,572	131	B1-U0-G3	
	4F		13,392	121	B1-U0-G5	13,784	124	B2-U0-G5	13,851	125	B1-U0-G5	
	4W		12,269	111	B1-U0-G4	12,628	114	B1-U0-G4	12,689	114	B1-U0-G4	
	FTM		13,509	122	B1-U0-G3	13,905	125	B1-U0-G3	13,972	126	B1-U0-G3	
	5QN		15,365	138	B3-U0-G2	15,814	143	B3-U0-G2	15,891	143	B3-U0-G2	
	5QM		15,661	141	B4-U0-G2	16,119	145	B4-U0-G2	16,198	146	B4-U0-G2	
	5Q		15,091	136	B4-U0-G2	15,532	140	B4-U0-G2	15,608	141	B4-U0-G2	
	5QW		14,658	132	B4-U0-G2	15,087	136	B4-U0-G2	15,161	137	B4-U0-G2	
	AM		15,066	136	B1-U0-G2	15,507	140	B1-U0-G2	15,582	140	B1-U0-G2	
	WF		15,549	140	B3-U0-G1	16,004	144	B3-U0-G1	16,082	145	B3-U0-G1	
	LC/RC		12,685	114	B2-U0-G4	13,057	118	B2-U0-G4	13,120	118	B2-U0-G4	
21L	2	80	16,649	128	B2-U0-G4	17,136	131	B2-U0-G4	17,219	132	B2-U0-G4	130
	3M		15,877	122	B2-U0-G3	16,342	125	B2-U0-G4	16,422	126	B2-U0-G3	
	3W		15,047	115	B2-U0-G5	15,488	119	B2-U0-G5	15,563	119	B2-U0-G5	
	4M		16,147	124	B1-U0-G4	16,620	128	B1-U0-G4	16,701	128	B1-U0-G4	
	4F		15,348	118	B2-U0-G5	15,797	121	B2-U0-G5	15,874	122	B2-U0-G5	
	4W		14,061	108	B2-U0-G4	14,473	111	B2-U0-G4	14,543	112	B2-U0-G4	
	FTM		15,483	119	B1-U0-G3	15,936	122	B1-U0-G3	16,014	123	B1-U0-G3	
	5QN		17,609	135	B3-U0-G2	18,125	139	B3-U0-G2	18,213	140	B3-U0-G2	
	5QM		17,949	138	B4-U0-G2	18,474	142	B4-U0-G2	18,564	142	B4-U0-G2	
	5Q		17,295	133	B4-U0-G2	17,801	137	B4-U0-G2	17,888	137	B4-U0-G2	
	5QW		16,800	129	B5-U0-G3	17,291	133	B5-U0-G3	17,376	133	B5-U0-G3	
	AM		17,267	133	B1-U0-G2	17,772	136	B1-U0-G2	17,859	137	B1-U0-G2	
	WF		17,821	137	B4-U0-G1	18,343	141	B4-U0-G1	18,432	141	B4-U0-G1	
	LC/RC		14,539	112	B2-U0-G4	14,964	115	B2-U0-G4	15,037	115	B2-U0-G4	



Date: 10/17/2024

Project:  
MARTIN STREET BUS  
TERMINAL

Description:  
VALS-15L-RC-UNV-50K7-BLK-SA-IS

Line Item#: 7  
Go to Bill of Materials

Type: C2

Powered by 4submittal.com

# V-Locity Small (VALS) Outdoor LED Area Light

Type : \_\_\_\_\_

Have questions? Call us at (800) 436-7800

## PERFORMANCE

[Back to Quick Links](#)

Delivered Lumens (80 CRI)									
Lumen Package	Distribution	CRI	4000K CCT / 80 CRI			5000K CCT / 80 CRI			Wattage
			Delivered Lumens	Efficacy	BUG Rating	Delivered Lumens	Efficacy	BUG Rating	
15L	2	80	12,937	143	B2-U0-G4	13,212	146	B2-U0-G4	91
	3M		12,337	136	B1-U0-G3	12,600	139	B1-U0-G3	
	3W		11,692	129	B2-U0-G4	11,941	132	B2-U0-G4	
	4M		12,547	138	B1-U0-G3	12,814	141	B1-U0-G3	
	4F		11,926	132	B1-U0-G4	12,180	134	B1-U0-G4	
	4W		10,926	121	B1-U0-G4	11,158	123	B1-U0-G4	
	FTM		12,031	133	B1-U0-G3	12,287	136	B1-U0-G3	
	5QN		13,683	151	B3-U0-G1	13,974	154	B3-U0-G1	
	5QM		13,947	154	B4-U0-G2	14,244	157	B4-U0-G2	
	5Q		13,439	148	B4-U0-G2	13,725	151	B4-U0-G2	
	5QW		13,054	144	B4-U0-G2	13,332	147	B4-U0-G2	
	AM		13,417	148	B1-U0-G2	13,702	151	B1-U0-G2	
	WF		13,848	153	B3-U0-G1	14,142	156	B3-U0-G1	
	LC/RC		11,297	125	B2-U0-G4	11,537	127	B2-U0-G4	
18L	2	80	15,656	141	B2-U0-G4	15,988	144	B2-U0-G4	111
	3M		14,930	135	B1-U0-G3	15,248	137	B1-U0-G3	
	3W		14,150	128	B2-U0-G5	14,451	130	B2-U0-G5	
	4M		15,184	137	B1-U0-G4	15,507	140	B1-U0-G4	
	4F		14,433	130	B2-U0-G5	14,740	133	B2-U0-G5	
	4W		13,222	119	B1-U0-G4	13,503	122	B1-U0-G4	
	FTM		14,559	131	B1-U0-G3	14,869	134	B1-U0-G3	
	5QN		16,559	149	B3-U0-G2	16,911	152	B3-U0-G2	
	5QM		16,878	152	B4-U0-G2	17,237	155	B4-U0-G2	
	5Q		16,264	147	B4-U0-G2	16,609	150	B4-U0-G2	
	5QW		15,798	142	B4-U0-G3	16,133	145	B4-U0-G3	
	AM		16,237	146	B1-U0-G2	16,582	149	B1-U0-G2	
	WF		16,758	151	B4-U0-G1	17,114	154	B4-U0-G1	
	LC/RC		13,672	123	B2-U0-G4	13,962	126	B2-U0-G4	
21L	2	80	17,943	138	B3-U0-G4	18,324	141	B3-U0-G4	130
	3M		17,112	131	B2-U0-G4	17,475	134	B2-U0-G4	
	3W		16,217	124	B2-U0-G5	16,562	127	B2-U0-G5	
	4M		17,402	134	B1-U0-G4	17,772	136	B1-U0-G4	
	4F		16,541	127	B2-U0-G5	16,893	130	B2-U0-G5	
	4W		15,154	116	B2-U0-G4	15,476	119	B2-U0-G4	
	FTM		16,686	128	B1-U0-G3	17,041	131	B1-U0-G3	
	5QN		18,978	146	B3-U0-G2	19,381	149	B3-U0-G2	
	5QM		19,344	148	B4-U0-G2	19,755	152	B4-U0-G2	
	5Q		18,639	143	B4-U0-G2	19,036	146	B4-U0-G2	
	5QW		18,106	139	B5-U0-G3	18,490	142	B5-U0-G3	
	AM		18,609	143	B1-U0-G2	19,005	146	B1-U0-G2	
	WF		19,206	147	B4-U0-G1	19,615	151	B4-U0-G1	
	LC/RC		15,669	120	B2-U0-G4	16,002	123	B2-U0-G4	



Date: 10/17/2024

Project:  
MARTIN STREET BUS  
TERMINAL

Description:  
VALS-15L-RC-UNV-50K7-BLK-SA-IS

Line Item#: 7  
Go to Bill of Materials

Type: C2

Powered by 4submittal.com

# V-Locity Small (VALS) Outdoor LED Area Light

Type : \_\_\_\_\_

Have questions? Call us at (800) 436-7800

## PERFORMANCE

[Back to Quick Links](#)

Delivered Lumens (80 CRI)												
Lumen Package	Distribution	CRI	2700K CCT / 80 CRI			3000K CCT / 80 CRI			3500K CCT / 80 CRI			Wattage
			Delivered Lumens	Efficacy	BUG Rating	Delivered Lumens	Efficacy	BUG Rating	Delivered Lumens	Efficacy	BUG Rating	
24L	2	80	19,223	124	B3-U0-G5	19,785	127	B3-U0-G5	19,882	128	B3-U0-G5	155
	3M		18,332	118	B2-U0-G4	18,869	122	B2-U0-G4	18,961	122	B2-U0-G4	
	3W		17,374	112	B3-U0-G5	17,882	115	B3-U0-G5	17,970	116	B3-U0-G5	
	4M		18,644	120	B1-U0-G4	19,189	124	B1-U0-G4	19,283	124	B1-U0-G4	
	4F		17,721	114	B2-U0-G5	18,240	117	B2-U0-G5	18,329	118	B2-U0-G5	
	4W		16,235	105	B2-U0-G5	16,710	108	B2-U0-G5	16,792	108	B2-U0-G5	
	FTM		17,877	115	B1-U0-G3	18,400	119	B1-U0-G3	18,489	119	B1-U0-G3	
	5QN		20,332	131	B4-U0-G2	20,927	135	B4-U0-G2	21,029	135	B4-U0-G2	
	5QM		20,724	133	B4-U0-G2	21,331	137	B5-U0-G3	21,435	138	B5-U0-G3	
	5Q		19,969	129	B5-U0-G3	20,554	132	B5-U0-G3	20,654	133	B5-U0-G3	
	5QW		19,397	125	B5-U0-G3	19,965	129	B5-U0-G3	20,062	129	B5-U0-G3	
	AM		19,936	128	B1-U0-G2	20,520	132	B1-U0-G2	20,620	133	B1-U0-G2	
	WF		20,576	133	B4-U0-G1	21,178	136	B4-U0-G1	21,282	137	B4-U0-G1	
LC/RC	16,787	108	B2-U0-G5	17,278	111	B3-U0-G5	17,362	112	B3-U0-G5			
27L	2	80	21,455	121	B3-U0-G5	22,083	124	B3-U0-G5	22,191	125	B3-U0-G5	178
	3M		20,461	116	B2-U0-G4	21,060	119	B2-U0-G4	21,163	120	B2-U0-G4	
	3W		19,392	110	B3-U0-G5	19,959	113	B3-U0-G5	20,057	113	B3-U0-G5	
	4M		20,809	117	B1-U0-G4	21,418	121	B1-U0-G4	21,522	121	B1-U0-G4	
	4F		19,779	111	B2-U0-G5	20,358	115	B2-U0-G5	20,458	115	B2-U0-G5	
	4W		18,121	103	B2-U0-G5	18,651	106	B2-U0-G5	18,742	106	B2-U0-G5	
	FTM		19,953	113	B1-U0-G4	20,537	116	B1-U0-G4	20,637	117	B1-U0-G4	
	5QN		22,693	128	B4-U0-G2	23,357	132	B4-U0-G2	23,471	133	B4-U0-G2	
	5QM		23,131	130	B5-U0-G3	23,808	134	B5-U0-G3	23,924	135	B5-U0-G3	
	5Q		22,288	126	B5-U0-G3	22,941	130	B5-U0-G3	23,053	130	B5-U0-G3	
	5QW		21,650	122	B5-U0-G3	22,284	126	B5-U0-G3	22,392	127	B5-U0-G3	
	AM		22,252	126	B1-U0-G2	22,903	130	B1-U0-G2	23,015	130	B1-U0-G2	
	WF		22,966	129	B4-U0-G1	23,638	133	B4-U0-G1	23,753	134	B4-U0-G1	
LC/RC	18,736	106	B3-U0-G5	19,285	109	B3-U0-G5	19,379	110	B3-U0-G5			



Date: 10/17/2024

Project:  
MARTIN STREET BUS  
TERMINAL

Description:  
VALS-15L-RC-UNV-50K7-BLK-SA-IS

Line Item#: 7  
Go to Bill of Materials

Type: C2

Powered by 4submittal.com

## V-Locity Small (VALS) Outdoor LED Area Light

Type : \_\_\_\_\_

Have questions? Call us at (800) 436-7800

### PERFORMANCE

[Back to Quick Links](#)

Delivered Lumens (80 CRI)									
Lumen Package	Distribution	CRI	4000K CCT / 80 CRI			5000K CCT / 80 CRI			Wattage
			Delivered Lumens	Efficacy	BUG Rating	Delivered Lumens	Efficacy	BUG Rating	
24L	2	80	20,717	133	B3-U0-G5	21,157	136	B3-U0-G5	155
	3M		19,757	127	B2-U0-G4	20,177	130	B2-U0-G4	
	3W		18,724	121	B3-U0-G5	19,122	123	B3-U0-G5	
	4M		20,093	129	B1-U0-G4	20,520	132	B1-U0-G4	
	4F		19,099	123	B2-U0-G5	19,505	126	B2-U0-G5	
	4W		17,497	113	B2-U0-G5	17,869	115	B2-U0-G5	
	FTM		19,266	124	B1-U0-G3	19,676	127	B1-U0-G3	
	50N		21,912	141	B4-U0-G2	22,378	144	B4-U0-G2	
	50M		22,335	144	B5-U0-G3	22,810	147	B5-U0-G3	
	5Q		21,521	139	B5-U0-G3	21,979	142	B5-U0-G3	
	50W		20,905	135	B5-U0-G3	21,349	138	B5-U0-G3	
	AM		21,486	138	B1-U0-G2	21,943	141	B1-U0-G2	
	WF		22,176	143	B4-U0-G1	22,647	146	B4-U0-G1	
LC/RC	18,091	117	B3-U0-G5	18,476	119	B3-U0-G5			
27L	2	80	23,123	130	B3-U0-G5	23,615	133	B3-U0-G5	178
	3M		22,052	125	B2-U0-G4	22,521	127	B2-U0-G4	
	3W		20,899	118	B3-U0-G5	21,343	121	B3-U0-G5	
	4M		22,427	126	B1-U0-G5	22,903	129	B1-U0-G5	
	4F		21,317	120	B2-U0-G5	21,770	123	B2-U0-G5	
	4W		19,529	111	B2-U0-G5	19,944	113	B2-U0-G5	
	FTM		21,504	122	B1-U0-G4	21,961	124	B1-U0-G4	
	50N		24,457	138	B4-U0-G2	24,977	141	B4-U0-G2	
	50M		24,929	140	B5-U0-G3	25,459	143	B5-U0-G3	
	5Q		24,021	136	B5-U0-G3	24,532	138	B5-U0-G3	
	50W		23,333	132	B5-U0-G3	23,829	135	B5-U0-G3	
	AM		23,982	136	B1-U0-G2	24,491	138	B1-U0-G2	
	WF		24,751	139	B4-U0-G1	25,277	142	B4-U0-G1	
LC/RC	20,193	115	B3-U0-G5	20,622	117	B3-U0-G5			

Electrical Data (Amps) <sup>1</sup>							
Lumen Package	120V	208V	240V	277V	347V	480V	Wattage
6L	0.30	0.17	0.15	0.13	0.10	0.08	36
9L	0.45	0.26	0.23	0.19	0.16	0.11	54
12L	0.62	0.36	0.31	0.27	0.21	0.15	74
15L	0.76	0.44	0.38	0.33	0.26	0.19	91
18L	0.93	0.53	0.46	0.40	0.32	0.23	111
21L	1.08	0.63	0.54	0.47	0.37	0.27	130
24L	1.29	0.75	0.65	0.56	0.45	0.32	155
27L	1.46	0.84	0.73	0.63	0.50	0.36	175

Recommended Lumen Maintenance					
Ambient Temp	Lumen Multiplier				
	0 hrs. <sup>2</sup>	25K hrs. <sup>2</sup>	50K hrs. <sup>2</sup>	75K hrs. <sup>3</sup>	100K hrs. <sup>3</sup>
50 C	100%	94%	88%	83%	78%

1 Lumen maintenance values at 40C are calculated per TM-21 based on LM-80 data and in-situ testing.  
 2 In accordance with IESNA TM-21-11, Projected Values represent interpolated value based on time durations that are within six times the IESNA LM-80-08 total test duration for the device under testing.  
 3 In accordance with IESNA TM-21-11, Calculated Values represent time durations that exceed six times the IESNA LM-80-08 total test duration for the device under testing.

## V-Locity Small (VALS) Outdoor LED Area Light

Type: \_\_\_\_\_

Have questions? Call us at (800) 436-7800

### PHOTOMETRICS

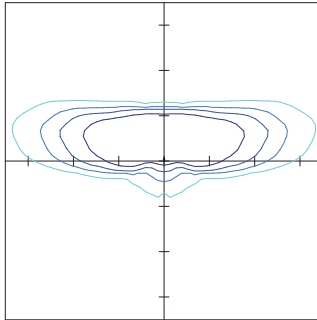
[Back to Quick Links](#)

Luminaire photometry has been conducted by a NVLAP accredited testing laboratory in accordance with IESNA LM-79-08. As specified by IESNA LM-79-08 the entire luminaire is tested as the source resulting in a luminaire efficiency of 100%.

See the individual product page on <https://www.lsicorp.com/> for detailed photometric data.

#### VALS 18L 2 40K8

V-LOCITY Area Small, 18,000lm,  
Type 2 Distribution

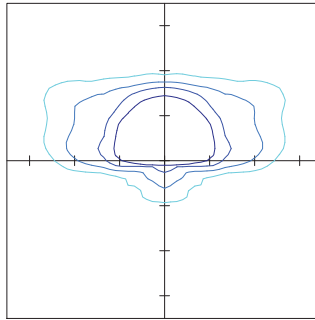


20' Mounting Height / 30' Grid Spacing  
 2 FC 
  1 FC 
  0.5 FC 
  0.2 FC

Shielding	No Shield	W/Shield
IES Type	III Medium	III Medium
BUG Rating	B2-U0-G4	B1-U0-G3
Street Side Lumen %	87.3%	96.1%
House Side Lumen %	12.7%	3.9%
Uplight %	0.0%	0.0%

#### VALS 18L 3M 40K8

V-LOCITY Area Small, 18,000lm, Type 3  
Medium Distribution

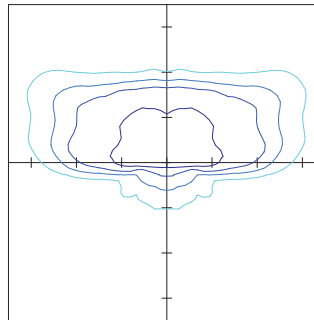


20' Mounting Height / 30' Grid Spacing  
 2 FC 
  1 FC 
  0.5 FC 
  0.2 FC

Shielding	No Shield	W/Shield
IES Type	III Very Short	III Very Short
BUG Rating	B1-U0-G3	B1-U0-G3
Street Side Lumen %	93.4%	97.2%
House Side Lumen %	8.6%	2.8%
Uplight %	0.0%	0.0%

#### VALS 18L 3W 40K8

V-LOCITY Area Small, 18,000lm, Type 3 Wide  
Distribution

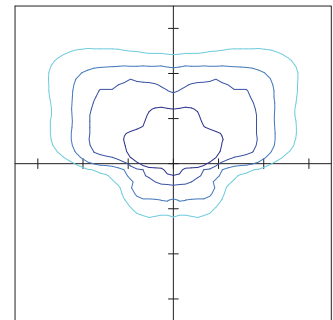


20' Mounting Height / 30' Grid Spacing  
 2 FC 
  1 FC 
  0.5 FC 
  0.2 FC

Shielding	No Shield	W/Shield
IES Type	IV Medium	IV Medium
BUG Rating	B2-U0-G5	B1-U0-G4
Street Side Lumen %	86.9%	94.0%
House Side Lumen %	13.1%	6.0%
Uplight %	0.0%	0.0%

#### VALS 18L 4W 40K8

V-LOCITY Area Small, 18,000lm, Type 4  
Wide Distribution

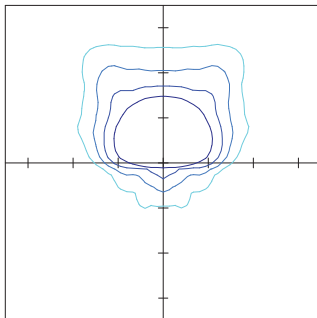


20' Mounting Height / 30' Grid Spacing  
 2 FC 
  1 FC 
  0.5 FC 
  0.2 FC

Shielding	No Shield	W/Shield
IES Type	IV Medium	IV Medium
BUG Rating	B1-U0-G4	B0-U0-G3
Street Side Lumen %	89.9%	94.0%
House Side Lumen %	10.1%	3.5%
Uplight %	0.0%	0.0%

#### VALS 18L 4M 40K8

V-LOCITY Area Small, 18,000lm, Type 4  
Medium Distribution

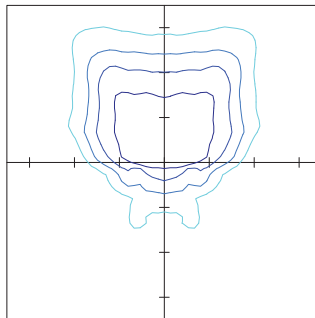


20' Mounting Height / 30' Grid Spacing  
 2 FC 
  1 FC 
  0.5 FC 
  0.2 FC

Shielding	No Shield	W/Shield
IES Type	IV Very Short	III Very Short
BUG Rating	B1-U0-G4	B0-U0-G2
Street Side Lumen %	92.9%	99.0%
House Side Lumen %	7.1%	1.0%
Uplight %	0.0%	0.0%

#### VALS 18L 4F 40K8

V-LOCITY Area Small, 18,000lm, Type 4  
Forward Distribution

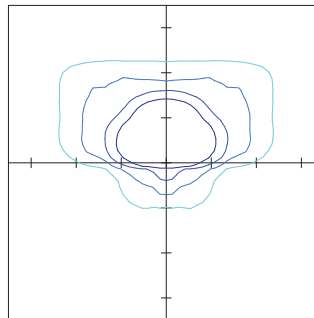


20' Mounting Height / 30' Grid Spacing  
 2 FC 
  1 FC 
  0.5 FC 
  0.2 FC

Shielding	No Shield	W/Shield
IES Type	IV Short	IV Short
BUG Rating	B2-U0-G5	B0-U0-G3
Street Side Lumen %	89.7%	98.3%
House Side Lumen %	10.3%	1.7%
Uplight %	0.0%	0.0%

#### VALS 18L FTM 40K8

V-LOCITY Area Small, 18,000lm, Forward  
Throw Medium Distribution

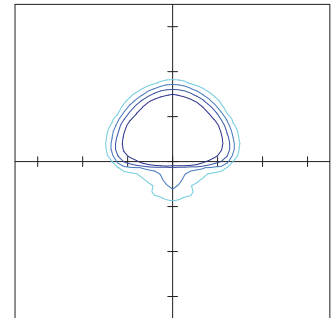


20' Mounting Height / 30' Grid Spacing  
 2 FC 
  1 FC 
  0.5 FC 
  0.2 FC

Shielding	No Shield	W/Shield
IES Type	III Very Short	III Very Short
BUG Rating	B1-U0-G3	B0-U0-G3
Street Side Lumen %	93.0%	98.4%
House Side Lumen %	7.0%	1.6%
Uplight %	0.0%	0.0%

#### VALS 18L AM 40K8

V-LOCITY Area Small, 18,000lm, Automotive  
Merchandise Distribution



20' Mounting Height / 30' Grid Spacing  
 2 FC 
  1 FC 
  0.5 FC 
  0.2 FC

Shielding	No Shield	W/Shield
IES Type	III Very Short	III Very Short
BUG Rating	B1-U0-G2	B0-U0-G2
Street Side Lumen %	95.3%	99.3%
House Side Lumen %	4.7%	0.7%
Uplight %	0.0%	0.0%

## V-Locity Small (VALS) Outdoor LED Area Light

Type : \_\_\_\_\_

Have questions? Call us at (800) 436-7800

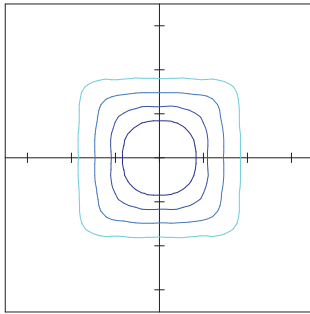
### PHOTOMETRICS (CONTINUED)

Luminaire photometry has been conducted by a NVLAP accredited testing laboratory in accordance with IESNA LM-79-08. As specified by IESNA LM-79-08 the entire luminaire is tested as the source resulting in a luminaire efficiency of 100%.

See the individual product page on <https://www.lsicorp.com/> for detailed photometric data.

#### VALS 18L 5QN 40K8

V-LOCITY Area Small, 18,000lm, Type 5  
Square Narrow Distribution

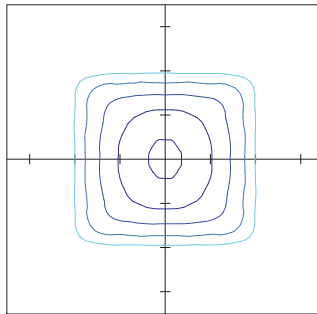


20' Mounting Height / 30' Grid Spacing  
 2 FC
  1 FC
  0.5 FC
  0.2 FC

IES Type	VS Very Short
BUG Rating	B3-U0-G2
0 - 60° Zonal Lumens	73.8%
60 - 90° Zonal Lumens	26.2%
Uplight %	0.0%

#### VALS 18L 5QM 40K8

V-LOCITY Area Small, 18,000lm, Type 5  
Square Medium Distribution

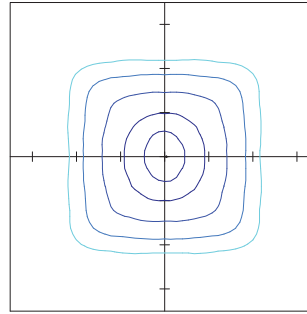


20' Mounting Height / 30' Grid Spacing  
 2 FC
  1 FC
  0.5 FC
  0.2 FC

IES Type	VS Short
BUG Rating	B4-U0-G2
0 - 60° Zonal Lumens	51.0%
60 - 90° Zonal Lumens	49.0%
Uplight %	0.0%

#### VALS 18L 5Q 40K8

V-LOCITY Area Small, 18,000lm, Type 5  
Square Distribution

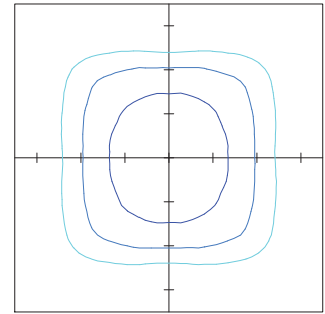


20' Mounting Height / 30' Grid Spacing  
 2 FC
  1 FC
  0.5 FC
  0.2 FC

IES Type	VS Medium
BUG Rating	B5-U0-G3
0 - 60° Zonal Lumens	41.8%
60 - 90° Zonal Lumens	58.2%
Uplight %	0.0%

#### VALS 18L 5QW 40K8

V-LOCITY Area Small, 18,000lm, Type 5  
Square Wide Distribution

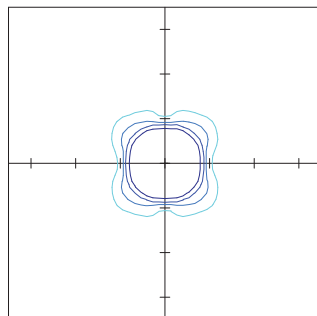


20' Mounting Height / 30' Grid Spacing  
 2 FC
  1 FC
  0.5 FC
  0.2 FC

IES Type	VS Medium
BUG Rating	B5-U0-G3
0 - 60° Zonal Lumens	33.7%
60 - 90° Zonal Lumens	66.3%
Uplight %	0.0%

#### VALS 18L WF 40K8

V-LOCITY Area Small, 18,000lm, Wide Flood  
Distribution

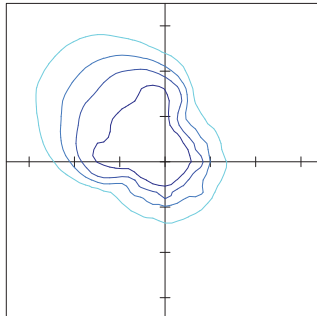


20' Mounting Height / 30' Grid Spacing  
 2 FC
  1 FC
  0.5 FC
  0.2 FC

NEMA Type	6x6
Max Candela	9,352
Max Candela Angle	-19.5H x -29V
Beam Angle	80.7 x 90.0°
Field Angle	109.9 x 117.7°

#### VALS 18L LC 40K8

V-LOCITY Area Small, 18,000lm, Left Corner  
Distribution

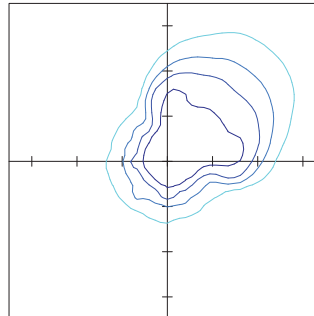


20' Mounting Height / 30' Grid Spacing  
 2 FC
  1 FC
  0.5 FC
  0.2 FC

Shielding	No Shield	W/Shield
IES Type	N/A	N/A
BUG Rating	B2-U0-G4	B1-U0-G3
Street Side Lumen %	75.9%	91.9%
House Side Lumen %	24.1%	8.1%
Uplight %	0.0%	0.0%

#### VALS 18L RC 40K8

V-LOCITY Area Small, 18,000lm, Right Corner  
Distribution



20' Mounting Height / 30' Grid Spacing  
 2 FC
  1 FC
  0.5 FC
  0.2 FC

Shielding	No Shield	W/Shield
IES Type	N/A	N/A
BUG Rating	B2-U0-G4	B1-U0-G3
Street Side Lumen %	75.9%	91.9%
House Side Lumen %	24.1%	8.1%
Uplight %	0.0%	0.0%



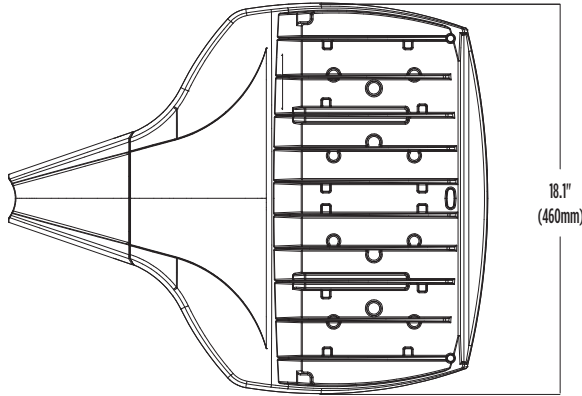
## V-Locity Small (VALS) Outdoor LED Area Light

Type : \_\_\_\_\_

Have questions? Call us at (800) 436-7800

### PRODUCT DIMENSIONS

[Back to Quick Links](#)



Luminaire EPA Chart - SA Side Arm

Tilt Degree	0°
Single	0.7
D180°	1.3
D90°	1.0
T90°	1.4
TN120°	1.5
Q90°	1.4

Luminaire EPA Chart - UA Universal Adjustable Arm

Tilt Degree	0°	15°	30°	45°	60°
Single	0.8	0.8	1.3	1.8	2.1
D180°	1.5	1.9	2.5	3.2	3.8
D90°	1.5	1.9	2.5	3.2	3.8
T90°	1.8	2.1	2.7	3.2	3.8
TN120°	1.8	2.3	3.4	4.3	5.0
Q90°	1.8	2.1	2.7	3.2	3.8

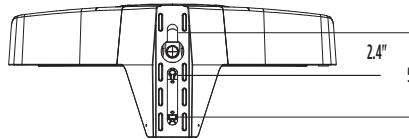
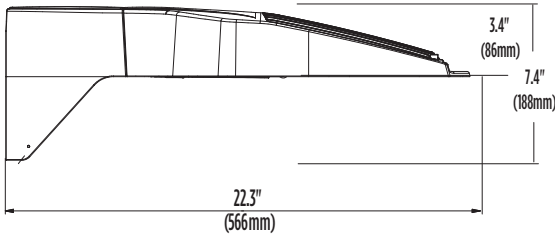
Luminaire EPA Chart - MA Mast Arm

Tilt Degree	0°
Single	0.5

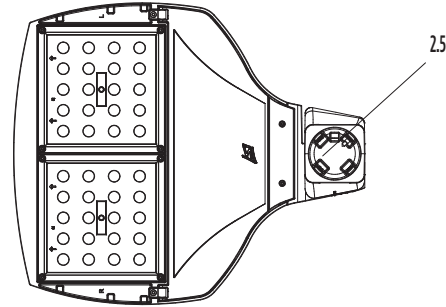
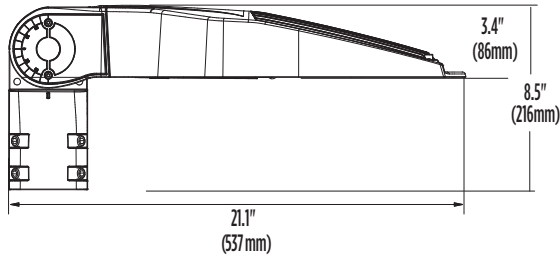
Luminaire EPA Chart - SF Adjustable Slip Fitter

Tilt Degree	0°	15°	30°	45°	60°
Single	0.7	1.3	1.4	1.8	2.2

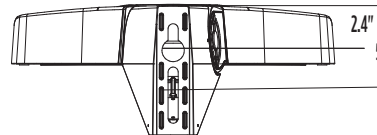
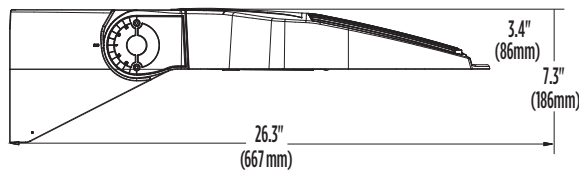
SA Universal Side Arm Mount



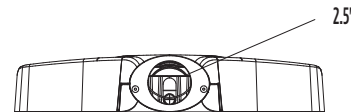
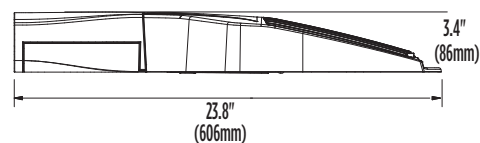
SF Adjustable Slipfitter



UA Universal Adjustable Arm



MA Mast Arm



## V-Locity Small (VALS) Outdoor LED Area Light

Type : \_\_\_\_\_

**Have questions?** Call us at (800) 436-7800

### CONTROLS

[Back to Quick Links](#)

#### Integral Bluetooth™ Motion and Photocell Sensor (IMSBTxL)

Slim low profile sensor provides multi-level control based on motion and/or daylight. Sensor controls 0-10 VDC LED drivers and is IP66 rated for cold and wet locations (-40°F to 167°F). Two unique PIR lenses are available and used based on fixture mounting height. All control parameters are adjustable via an iOS or Android App capable of storing and transmitting sensor profiles.

Click here to learn more details about IMSBT



LEVITON App



Apple



Android

#### AirLink Blue (ALBMRxLR, ALBCSx)

Wireless Bluetooth Mesh Outdoor Lighting Control System that provides energy savings, code compliance and enhanced safety/security for parking lots and parking garages. Three key components; Bluetooth wireless radio/sensor controller, Time Keeper and an iOS App. Capable of grouping multiple fixtures and sensors as well as scheduling time-based events by zone. Radio/Sensor Controller is factory integrated into Area/ Site, Wall Mounted, Parking Garage and Canopy luminaires.

Click here to learn more details about AirLink Blue



AirLink Blue App



Apple

#### Sensor Sequence of Operations

Standard Programming	On Event	Off Event	On Light Level	Dim Light Level	Daylight Harvesting	Delay To Off	Sensitivity
OMSBTxL/IMSBTxL	Motion	No Motion	100%	N/A	On; Auto Calibration	20 minutes	High
OMS	Motion	No Motion	N/A	N/A	N/A	30 seconds	Auto

Operation	Description
On Event	Trigger that activates lights to turn on; either automatic via motion detected or manually activated via push of button.
Off Event	Trigger that activates lights to turn off; either automatic via no motion detected or manually activated via push of button.
On Light Level	The light level that the fixtures will turn on to when ON EVENT occurs.
Dim Light Level	The light level that the fixtures will dim down to when no motion is detected.
Delay to Dim	The amount of time after which no motion is detected that the fixtures will be triggered to dim down. This sequence is optional, and sensor can be programmed to only trigger the fixture to turn off by entering 100% in this field.
Delay to Off	The amount of time after which no motion is detected that the fixtures will be triggered to turn off. If delay to dim is part of the programmed functionality, this is the amount of time after which no motion is detected after the fixture have already dimmed down.
Sensitivity	The sensitivity can be set to high, medium, low, or auto where applicable. High will detect smaller, simple motions. Low will only detect larger more complex motions. Auto temperature calibration adjusts the PIR sensitivity as ambient temperature rises to increase detection of heat movement through the field of view.



Catalog #: \_\_\_\_\_ Project: \_\_\_\_\_ Type: \_\_\_\_\_  
Prepared By: \_\_\_\_\_ Date: \_\_\_\_\_

## Steel Poles

### Square Straight



#### QUICK LINKS

[Ordering Guide](#)

[Configurations](#)

[Dimensions](#)

[EPA](#)

#### FEATURES & SPECIFICATIONS

##### Pole Shaft

- Straight poles are 4", 5", or 6" square.
- Pole shaft is electro-welded ASTM-A500 Grade C steel tubing with a minimum yield strength of 50,000 psi.
- On Tenon Mount steel poles, tenon is 2-3/8" O.D. high-strength pipe. Tenon is 4-3/4" in length.

##### Hand-Hole

- Standard hand-hole location is 12" above pole base.
- Poles 22' and above have a 3x6 reinforced hand hole.

##### Base

- Pole base is ASTM-A36 hot-rolled steel plate with a minimum yield strength of 36,000 psi.
- Two-piece square base cover is optional.

##### Anchor Bolts

- Poles are furnished with anchor bolts featuring zinc-plated double nuts and washers. Galvanized anchor bolts are optional.
- Anchor Bolts conform to ASTM F 1554-07a Grade 55 with a minimum yield strength of 55,000 PSI.

##### Ground Lug

- Ground lug is standard.

##### Duplex Receptacle

- Weatherproof duplex receptacle is optional.

##### Ground Fault Circuit Interrupter

- Self-testing Ground fault circuit interrupter is optional.

##### Finishes

- Every pole is provided with the DuraGrip Protection System and a 5-year limited warranty:
- When the top-of-the line DuraGrip Plus Protection System is selected, in addition to the DuraGrip Protection System, a non-porous, automotive-grade corrosion coating is applied to the lower portion of the pole interior sealing and further protecting it from corrosion. This option extends the limited warranty to 7 years.

##### Determining The Luminaire/Pole Combination For Your Application:

- Select luminaire from luminaire ordering information.
- Select bracket configuration if required
- Determine EPA value from luminaire/bracket EPA chart

- Select Pole Height

- Select MPH to match wind speed in the application area (See windspeed maps).
- Confirm pole EPA equal to or exceeding value of luminaire/bracket EPA
- Consult factory for special wind load requirements and banner brackets.

##### Pole Vibration Damper

- A pole vibration damper is recommended in open terrain areas of the country where low steady state winds are common.
- Non-tapered poles and lightly loaded poles are more susceptible to destructive vibration if a damper is not installed.

##### Listings

- UL Listed
- BAA/TAA Compliant

## Steel Poles Square Straight

Have questions? Call us at (800) 436-7800

Type : \_\_\_\_\_

### ORDERING GUIDE

[Back to Quick Links](#)

TYPICAL ORDER EXAMPLE: 4SQ B3 S11G 24 S PLP DGP						
Pole Series	Mounting Method	Material	Height <sup>2</sup>	Mounting Configuration	Pole Finish	Options
<b>4SQ</b> - 4" x 4" Square Straight Pole (New Build) <b>5SQ</b> - 5" x 5" Square Straight Pole (New Build) <b>6SQ</b> - 6" x 6" Square Straight Pole (New Build) <b>4SQU</b> - 4" x 4" Square Straight Pole (Retrofit) <b>5SQU</b> - 5" x 5" Square Straight Pole (Retrofit) <b>6SQU</b> - 6" x 6" Square Straight Pole (Retrofit)	<b>Bolt-On Mount<sup>1</sup></b> - See pole selection guide for patterns and fixture matches <b>B5</b> - 5" Traditional Drilling Pattern <b>B3</b> - 3" Reduced Pattern <b>B2</b> - 2" Low Profile Drilling Pattern <b>B2R</b> - Raised 2" Reduce Drilling Pattern ( <b>LAL4 ONLY</b> )  <b>T</b> - Tenon Mount - See pole selection guide for tenon and fixture/bracket matches  <b>I</b> - No Mounting Holes <sup>1</sup>	<b>S11G</b> - 11 Ga. Steel (4SQ/4SQU and 5SQ/5SQU Only) <b>S07G</b> - 07 Ga. Steel	8' 10' 12' 13' 14' 15' 16' 17' 17'6" 18' <b>20'</b> 22' 22'6" 23' 24' 25' 26' 27' 28' 30' 32' 35' 39'	<b>S</b> - Single/Parallel <b>D180</b> - Double <b>D90</b> - Double <b>DN90</b> - Double <b>T90</b> - Triple <b>TN120</b> - Triple <b>Q90</b> - Quad <b>QN90</b> - Quad  <b>N</b> - Tenon Mount (Standard Tenon size is 2-3/8" O.D.) <sup>8</sup> <b>(Blank)</b> - Use with I for Mounting Method	<b>BRZ</b> - Bronze <b>BLK</b> - Black <b>PLP</b> - Platinum Plus <b>WHT</b> - White <b>SVG</b> - Satin Verde Green <b>GPT</b> - Graphite <b>MSV</b> - Metallic Silver <b>BZA</b> - Alternate Bronze <b>GMG</b> - Gun Metal Gray	<b>GA</b> - Galvanized Anchor Bolts <b>SF</b> - Single Flood <sup>3</sup> <b>DF</b> - Double Flood <sup>3</sup> <b>DGP</b> - DuraGrip <sup>3</sup> Plus <b>LAB</b> - Less Anchor Bolts <b>CRXX</b> - Conduit Raceway <sup>4</sup>



Need more information?  
[Click here for our glossary.](#)

Have additional questions?  
Call us at (800) 436-7800



### ACCESSORY ORDERING INFORMATION

Part Number	Description
122559CLR	4BC - 4" Square Base Cover
122561CLR	5BC - 5" Square Base Cover
122563CLR	6BC - 6" Square Base Cover
132488CLR	5BC - 5" Square Universal Base Cover
131252CLR	6BC - 6" Square Universal Base Cover
122566CLR	ER2 - Weatherproof Duplex Receptacle
122567CLR	GFI - Ground Fault Circuit Interrupter
132336	MH5 - mounting Hole Plugs for use with 5" traditional drill pattern (3 set of 3 plugs)
681126	MH3 - mounting Hole Plugs for use with 3" reduced drill pattern (3 set of 3 plugs)
725841	MH2 - Mounting Hole Plugs for use with 2" reduced drill pattern (3 sets of 3 plugs)
172539	Vibration Damper - 4" Square Pole (bolt-on mount only)
172538	Vibration Damper - 5" Square Pole (bolt-on mount only)
178361	Vibration Damper - 6" Square Pole (bolt-on mount only)

### ANCHOR BOLT KIT ORDERING INFORMATION

Part Number	Description
AB KIT 122584	4SQ S11G/S07G Anchor Bolts (Steel Plated)
AB KIT 122609	4SQ S11G/S07G Anchor Bolts (Galvanized)
AB KIT 1225850	5SQ S11G Anchor Bolts (Steel Plated)
AB KIT 122610	5SQ S11G Anchor Bolts (Galvanized)
AB KIT 122586	5SQ S07G Anchor Bolts (Steel Plated)
AB KIT 122611	5SQ S07G Anchor Bolts (Galvanized)
AB KIT 122612	6SQ S07G Anchor Bolts (Galvanized)

1 - See Area Light Brackets - 3" Reduced Drill Pattern and Area Light Brackets - 5" Traditional Drill Pattern Spec Sheets.

2 - Pole heights will have +/- 1/2" tolerance.

3 - See Flood Lighting Brackets section for choice of FBO brackets.

4 - CR selection must indicate required height and side of pole mounting location. Mounting template required at time of order.



## Steel Poles Square Straight

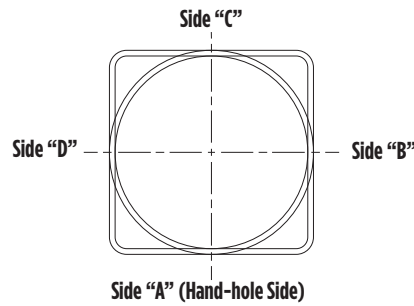
Type : \_\_\_\_\_

**Have questions?** Call us at (800) 436-7800

### DRILLING LOCATIONS

[Back to Quick Links](#)

Sides	A	B	C	D
Hand-hole	X			
Single	X			
D180		X		X
D90	X			X
DN90 <sup>1</sup>				
T90	X	X		X
TN120 <sup>2</sup>				
Q90	X	X	X	X
QN90 <sup>3</sup>				
Single FBO	X			
Double FBO		X		X



- 1 - Two locations will be 45° to the left and right of Side A.
- 2 - Other two locations will be 120° to the left and right of Side A.
- 3 - Two locations will be 45° to the left and right of Side A and two locations will be 135° to the left and right of Side A.

Consult factory for custom variations. Standard SF and DF pole preparations are located 3/4 of the height of the pole from the base, except on 20' poles. Maximum height for SF and DF pole preparations on 20' poles is 13' from the base.

### FIXTURE CONFIGURATIONS



## Steel Poles Square Straight

Type : \_\_\_\_\_

Have questions? Call us at (800) 436-7800

### BOLT CIRCLE

[Back to Quick Links](#)

#### STANDARD BASEPLATE

4" (102mm) square  
10-1/8" (257mm) sq.



11" (279mm) Dia. Bolt Circle

5" (127mm) square  
10-1/8" (257mm) sq.



11" (279mm) Dia. Bolt Circle

5" (127mm) square  
10-1/8" (257mm) sq.



11" (279mm) Dia. Bolt Circle

6" (152mm) square  
12" (305mm) sq.



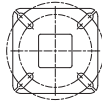
12" (305mm) Dia. Bolt Circle

Bolt Circle Designator	B	C	D	J
Bolt Circle	Slotted 8"-11" (203mm-279mm)	Slotted 9"-11" (229mm-279mm)	Slotted 9"-11" (229mm-279mm)	Slotted 12" (305mm)
Anchor Bolt Size	3/4" x 24" (19mm x 609mm)	3/4" x 24" (19mm x 609mm)	1"x30" (25mm x 762mm)	1"x30" (25mm x 762mm)
Anchor Bolt Projection	3-1/4" (83mm)	3-1/4" (83mm)	4" (102mm)	4" (102mm)
Base Plate Opening for Wireway Entry	3-5/8" (92mm)	4-3/4" (121mm)	4-5/8" (117mm)	5-5/8" (143mm)
Base Plate Dimensions	10-1/8" sq. x 3/4" thk. (257mm x 19mm)	10-1/8" sq. x 3/4" thk. (257mm x 19mm)	10-1/8" sq. x 1" thk. (257mm x 25mm)	12" sq. x 1-1/8" thk. (305mm x 29mm)
Pole Gauge	11	11	7	7

Note: Base plate illustrations may change without notice. Do not use for setting anchor bolts. Consult factory for the appropriate anchor bolt template.

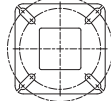
#### UNIVERSAL BASEPLATE

4" (102mm) square  
10.5" (267mm) sq.



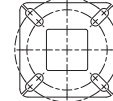
4SQ

5" (127mm) square  
11.125" (283mm) sq.



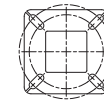
5SQ

5" (127mm) square  
11.75" (298mm) sq.



5SQ

6" (152mm) square  
12-1/2" (318mm) sq.



14" (356mm) Dia. Bolt Circle

Bolt Circle Designator	E	F	G	H
Bolt Circle	Slotted 9"-12"	Slotted 10-13"	Slotted 10-13"	Slotted 11"-14" (279mm-356mm)
Anchor Bolt Size	3/4" x 24" (19mm x 609 mm)	3/4x 24" (19mm x 609 mm)	1"x30" (25mm x 762mm)	1"x30" (25mm x 762mm)
Anchor Bolt Projection	3-1/4" (83 mm)	3-1/4" (83 mm)	4" (102 mm)	4" (102mm)
Base Plate Opening for Wireway Entry	3-5/8" (92mm)	4-3/4" (121mm)	5-1/8" (130 mm)	5-5/8" (143mm)
Base Plate Dimensions	10-1/2" sq. x 3/4" thk. (267 mm x 19 mm)	11-1/8 sq. x 3/4" thk. (283 mm x 19 mm)	11-3/4" sq. x 1" thk. (298 mm x 25 mm)	12 1/2" sq. x 1 1/8" thk. (318mm x 29mm)
Pole Gauge	11	11	7	7

Note: Base plate illustrations may change without notice. Do not use for setting anchor bolts. Consult factory for the appropriate anchor bolt template.

1 - Full Galvanized option is 1" x 30" straight headed anchor bolt. Contact factory for questions

## Steel Poles Square Straight

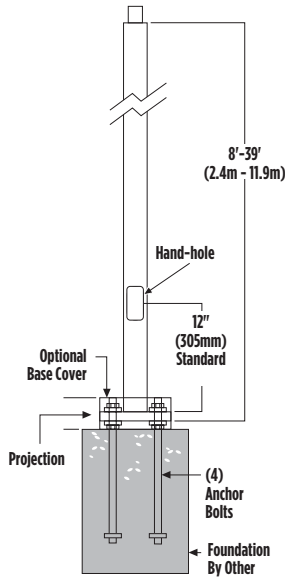
Have questions? Call us at (800) 436-7800

Type : \_\_\_\_\_

### PRODUCT DIMENSIONS

[Back to Quick Links](#)

SQT -  
N= 2-3/8" (60mm) O.D. x 4-3/4" (121mm) Tenon



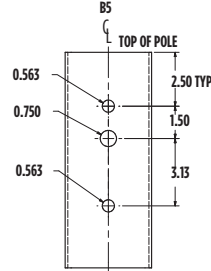
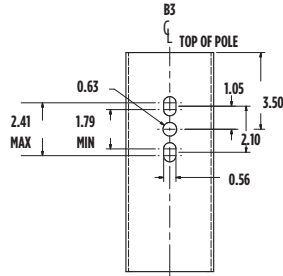
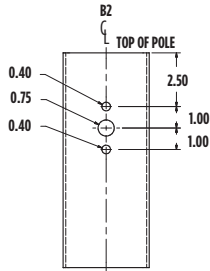
SF -  
Single Flood  
Pole Preparation



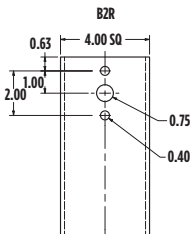
#### SHIPPING WEIGHTS

4" (102mm) sq. 11 Ga. is approximately	7.50 lbs./ft.
4" (102mm) sq. 07 Ga. is approximately	10.00 lbs./ft.
5" (127mm) sq. 11 Ga. is approximately	9.00 lbs./ft.
5" (127mm) sq. 07 Ga. is approximately	12.50 lbs./ft.
6" (152mm) sq. 07 Ga. is approximately	15.40 lbs./ft.
Anchor Bolts (3/4" x 24") (19mm x 609mm)	15 lbs. (7kg)/set
Anchor Bolts (1" x 30") (25mm x 762mm)	30 lbs. (14kg)/set

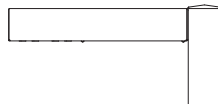
#### Bolt-On Mount 2-Bolt Pattern



ONLY FOR USE WITH LAL4 PRODUCT  
BZR- Raised 2" low profile drilling pattern



SIDE VIEW



TOP VIEW



## Steel Poles Square Straight

Type : \_\_\_\_\_

Have questions? Call us at (800) 436-7800

### WIND SPEED

[Back to Quick Links](#)

**EPA Information**

All LSI Industries' poles are guaranteed to meet the EPA requirements listed. LSI Industries is not responsible if a pole order has a lower EPA rating than the indicated wind-loading zone where the pole will be located.

CAUTION: This guarantee does not apply if the pole/bracket/fixture combination is used to support any other items such as flags, pennants, or signs, which would add stress to the pole. LSI Industries cannot accept responsibility for harm or damage caused in these situations.

NOTE: Pole calculations include a 1.3 gust factor over steady wind velocity. Example: poles designed to withstand 80 MPH steady wind will withstand gusts to 104 MPH. EPAs are for locations 100 miles away from hurricane ocean lines. Consult LSI for other areas. Note: Hurricane ocean lines are the Atlantic and Gulf of Mexico coastal areas. For applications in Florida or Canada, consult factory.

POLE <sup>2</sup>	Mtg. Height Length (ft)	Wall Thick (ga)	BOLT CIRCLE			EPA									
			Designator	Dia. (in)	Anchor bolt Dia {in}	110 MPH	115 MPH	120 MPH	130 MPH	140 MPH	150 MPH	160 MPH	170 MPH	180 MPH	
4" x 11-ga x 12'	12	11	B	8" - 11"	0.75	13.9	12.5	11.3	9.2	7.6	6.3	5.2	4.3	3.6	
4" x 11-ga x 14'	14	11	B	8" - 11"	0.75	10.7	9.5	8.5	6.8	5.4	4.4	3.5	2.7	2.1	
4" x 11-ga x 16'	16	11	B	8" - 11"	0.75	8.2	7.2	6.4	4.9	3.8	2.9	2.1	1.5	1.0	
4" x 11-ga x 18'	18	11	B	8" - 11"	0.75	6.3	5.4	4.7	3.4	2.4	1.6	1.0	0.4	n/a	
4" x 11-ga x 20'	20	11	B	8" - 11"	0.75	4.6	3.9	3.2	2.1	1.2	0.6	n/a	n/a	n/a	
4" x 11-ga x 22'	22	11	B	8" - 11"	0.75	7.6	6.6	5.7	4.2	3.0	2.0	1.2	0.5	n/a	
4" x 11-ga x 24'	24	11	B	8" - 11"	0.75	6.0	5.1	4.3	2.9	1.8	0.9	n/a	n/a	n/a	
4" x 11-ga x 26'	26	11	B	8" - 11"	0.75	4.6	3.7	3.0	1.7	0.7	n/a	n/a	n/a	n/a	
4" x 7-ga x 14'	14	7	B	8" - 11"	0.75	18.3	16.4	14.9	12.2	10.2	8.5	7.1	5.9	5.0	
4" x 7-ga x 16'	16	7	B	8" - 11"	0.75	14.7	13.2	11.8	9.6	7.8	6.3	5.2	4.2	3.4	
4" x 7-ga x 18'	18	7	B	8" - 11"	0.75	11.9	10.5	9.3	7.4	5.9	4.6	3.6	2.8	2.1	
4" x 7-ga x 20'	20	7	B	8" - 11"	0.75	9.6	8.4	7.4	5.7	4.3	3.2	2.3	1.6	0.9	
4" x 7-ga x 22'	22	7	B	8" - 11"	0.75	7.7	6.6	5.7	4.2	3.0	2.0	1.2	0.5	n/a	
4" x 7-ga x 24'	24	7	B	8" - 11"	0.75	6.0	5.1	4.3	2.9	1.8	0.9	n/a	n/a	n/a	
4" x 7-ga x 26'	26	7	B	8" - 11"	0.75	4.6	3.7	3.0	1.7	0.7	n/a	n/a	n/a	n/a	
4" x 7-ga x 28'	28	7	B	8" - 11"	0.75	3.3	2.5	1.8	0.7	n/a	n/a	n/a	n/a	n/a	
4" x 7-ga x 30'	30	7	B	8" - 11"	0.75	2.2	1.4	0.8	n/a	n/a	n/a	n/a	n/a	n/a	
5" x 11-ga x 14'	14	11	C	9" - 11"	0.75	17.4	15.7	14.1	11.5	9.3	7.7	6.3	5.2	4.2	
5" x 11-ga x 16'	16	11	C	9" - 11"	0.75	13.8	12.3	10.9	8.7	6.9	5.5	4.3	3.3	2.5	
5" x 11-ga x 18'	18	11	C	9" - 11"	0.75	10.8	9.6	8.4	6.5	4.9	3.7	2.6	1.8	1.1	
5" x 11-ga x 20'	20	11	C	9" - 11"	0.75	8.5	7.3	6.3	4.6	3.2	2.1	1.2	0.5	n/a	
5" x 11-ga x 22'	22	11	C	9" - 11"	0.75	10.9	9.5	8.3	6.2	4.5	3.2	2.1	1.2	0.5	
5" x 11-ga x 24'	24	11	C	9" - 11"	0.75	8.8	7.5	6.4	4.5	3.0	1.8	0.8	n/a	n/a	
5" x 11-ga x 26'	26	11	C	9" - 11"	0.75	6.8	5.7	4.6	3.0	1.6	0.6	n/a	n/a	n/a	
5" x 11-ga x 28'	28	11	C	9" - 11"	0.75	5.2	4.1	3.2	1.6	0.4	n/a	n/a	n/a	n/a	
5" x 11-ga x 30'	30	11	C	9" - 11"	0.75	3.6	2.7	1.8	0.4	n/a	n/a	n/a	n/a	n/a	
5" x 7-ga x 20'	20	7	D	9" - 11"	1.00	21.6	19.3	17.3	14.0	11.3	9.2	7.4	6.0	4.8	
5" x 7-ga x 22'	22	7	D	9" - 11"	1.00	20.7	18.6	16.6	13.3	10.7	8.5	6.8	5.4	4.2	
5" x 7-ga x 24'	24	7	D	9" - 11"	1.00	17.7	15.6	13.8	10.8	8.5	6.6	5.0	3.7	2.6	
5" x 7-ga x 26'	26	7	D	9" - 11"	1.00	14.9	13.1	11.4	8.8	6.6	4.9	3.5	2.3	1.3	
5" x 7-ga x 28'	28	7	D	9" - 11"	1.00	12.5	10.9	9.4	6.9	4.9	3.4	2.1	1.0	n/a	
5" x 7-ga x 30'	30	7	D	9" - 11"	1.00	10.3	8.9	7.5	5.2	3.4	2.0	0.8	n/a	n/a	
5" x 7-ga x 35'	35	7	D	9" - 11"	1.00	6.0	4.8	3.6	1.8	n/a	n/a	n/a	n/a	n/a	
6" x 7-ga x 24'	24	7	J	12"	1.00	18.6	16.4	14.3	11.2	8.6	6.5	4.8	3.4	2.2	
6" x 7-ga x 26'	26	7	J	12"	1.00	15.6	13.4	11.7	8.8	6.5	4.6	3.0	1.8	0.7	
6" x 7-ga x 28'	28	7	J	12"	1.00	12.9	10.9	9.3	6.7	4.6	2.8	1.5	n/a	n/a	
6" x 7-ga x 30'	30	7	J	12"	1.00	10.4	8.8	7.3	4.8	2.9	1.3	n/a	n/a	n/a	
6" x 7-ga x 32'	32	7	J	12"	1.00	8.3	6.8	5.5	3.1	1.3	n/a	n/a	n/a	n/a	
6" x 7-ga x 34'	34	7	J	12"	1.00	6.5	5.0	3.7	1.6	n/a	n/a	n/a	n/a	n/a	
6" x 7-ga x 35'	35	7	J	12"	1.00	5.5	4.2	2.9	0.9	n/a	n/a	n/a	n/a	n/a	
6" x 7-ga x 39'	39	7	J	12"	1.00	2.3	1.0	n/a	n/a	n/a	n/a	n/a	n/a	n/a	



## Steel Poles Square Straight

Type : \_\_\_\_\_

Have questions? Call us at (800) 436-7800

### WIND SPEED

POLE <sup>1</sup>	Mtg. Height Length (ft)	Wall Thick (ga)	BOLT CIRCLE			EPA								
			Designator	Dia. (in)	Anchor Bolt Dia (in)	110 MPH	115 MPH	120 MPH	130 MPH	140 MPH	150 MPH	160 MPH	170 MPH	180 MPH
5" x 11-ga x 14'	14	11	F	11"	0.75	17.6	15.8	14.2	11.5	9.4	7.7	6.3	5.2	4.3
5" x 11-ga x 14'	14	11	F	13"	0.75	17.6	15.8	14.2	11.5	9.4	7.7	6.3	5.2	4.3
5" x 11-ga x 16'	16	11	F	11"	0.75	13.9	12.2	11.0	8.8	7.0	5.5	4.3	3.4	2.5
5" x 11-ga x 16'	16	11	F	13"	0.75	13.9	12.2	11.0	8.8	7.0	5.5	4.3	3.4	2.5
5" x 11-ga x 18'	18	11	F	11"	0.75	11.0	9.6	8.4	6.5	5.0	3.7	2.7	1.8	1.1
5" x 11-ga x 18'	18	11	F	13"	0.75	11.0	9.6	8.4	6.5	5.0	3.7	2.7	1.8	1.1
5" x 11-ga x 20'	20	11	F	11"	0.75	8.6	7.4	6.4	4.6	3.3	2.2	1.3	0.5	-
5" x 11-ga x 20'	20	11	F	13"	0.75	8.6	7.4	6.4	4.6	3.3	2.2	1.3	0.5	-
5" x 11-ga x 22'	22	11	F	11"	0.75	12.7	11.1	9.6	7.4	5.6	4.1	3.0	2.0	1.1
5" x 11-ga x 22'	22	11	F	12"	0.75	10.3	8.9	7.7	5.7	4.1	2.8	1.8	0.9	-
5" x 11-ga x 22'	22	11	F	13"	0.75	8.6	7.4	6.4	4.6	3.1	2.0	1.1	-	-
5" x 11-ga x 24'	24	11	F	11"	0.75	10.2	8.9	7.6	5.6	4.0	2.6	1.6	0.7	-
5" x 11-ga x 24'	24	11	F	12"	0.75	8.0	6.9	5.8	4.0	2.6	1.5	0.5	-	-
5" x 11-ga x 24'	24	11	F	13"	0.75	6.7	5.5	4.6	3.0	1.7	0.7	-	-	-
5" x 11-ga x 26'	26	11	F	11"	0.75	8.1	6.9	5.8	4.0	2.5	1.3	-	-	-
5" x 11-ga x 26'	26	11	F	12"	0.75	6.2	5.1	4.1	2.6	1.3	-	-	-	-
5" x 11-ga x 26'	26	11	F	13"	0.75	5.0	4.0	3.1	1.6	0.5	-	-	-	-
5" x 11-ga x 28'	28	11	F	11"	0.75	6.3	5.2	4.3	2.5	1.1	-	-	-	-
5" x 11-ga x 28'	28	11	F	12"	0.75	4.6	3.6	2.7	1.2	-	-	-	-	-
5" x 11-ga x 28'	28	11	F	13"	0.75	3.4	2.5	1.7	-	-	-	-	-	-
5" x 11-ga x 30'	30	11	F	11"	0.75	4.7	3.7	2.8	1.2	-	-	-	-	-
5" x 11-ga x 30'	30	11	F	12"	0.75	3.1	2.2	1.4	-	-	-	-	-	-
5" x 11-ga x 30'	30	11	F	13"	0.75	2.0	1.2	0.5	-	-	-	-	-	-
5" x 7-ga x 20'	20	7	G	11"	0.75	19.0	17.0	15.0	12.2	9.7	7.8	6.2	5.0	3.8
5" x 7-ga x 20'	20	7	G	12"	0.75	21.4	19.1	17.1	13.8	11.2	9.1	7.3	5.9	4.7
5" x 7-ga x 20'	20	7	G	13"	0.75	21.4	19.2	17.2	13.9	11.3	9.2	7.4	6.0	4.8
5" x 7-ga x 20'	20	7	G	11"	1	21.7	19.4	17.4	14.0	11.4	9.3	7.5	6.0	4.8
5" x 7-ga x 20'	20	7	G	13"	1	21.7	19.4	17.4	14.0	11.4	9.3	7.5	6.0	4.8
5" x 7-ga x 22'	22	7	G	11"	0.75	16.0	14.1	12.5	9.8	7.6	5.9	4.4	3.3	2.3
5" x 7-ga x 22'	22	7	G	12"	0.75	17.7	15.9	14.2	11.2	8.7	7.0	5.4	4.1	3.0
5" x 7-ga x 22'	22	7	G	13"	0.75	19.9	17.3	15.6	12.6	10.0	8.0	6.3	5.0	3.8
5" x 7-ga x 22'	22	7	G	11"	1	21.0	18.7	16.7	13.4	10.6	8.5	6.8	5.4	4.2
5" x 7-ga x 22'	22	7	G	12"	1	23.4	20.6	18.4	15.0	12.2	9.9	8.0	6.4	5.1
5" x 7-ga x 22'	22	7	G	13"	1	21.3	18.8	17.0	13.7	11.0	8.8	7.0	5.6	4.3
5" x 7-ga x 24'	24	7	G	11"	0.75	13.3	11.6	10.0	7.7	5.7	4.2	2.9	1.9	1.0
5" x 7-ga x 24'	24	7	G	12"	0.75	15.0	13.0	11.6	8.9	6.8	5.1	3.8	2.6	1.7
5" x 7-ga x 24'	24	7	G	13"	0.75	16.6	14.6	12.9	10.2	8.0	6.1	4.6	3.3	2.3
5" x 7-ga x 24'	24	7	G	11"	1	17.5	15.7	13.9	10.9	8.6	6.7	5.0	3.7	2.7
5" x 7-ga x 24'	24	7	G	12"	1	20.0	17.4	15.4	12.3	9.9	7.8	6.0	4.7	3.5
5" x 7-ga x 24'	24	7	G	13"	1	18.1	16.0	14.2	11.0	8.7	6.7	5.3	3.9	2.8
5" x 7-ga x 26'	26	7	G	11"	0.75	10.9	9.3	8.0	5.9	4.1	2.7	1.6	0.6	-
5" x 7-ga x 26'	26	7	G	12"	0.75	12.4	10.9	9.5	7.0	5.1	3.6	2.3	1.3	-
5" x 7-ga x 26'	26	7	G	13"	0.75	14.0	12.3	10.7	8.1	6.0	4.4	3.1	2.0	1.0
5" x 7-ga x 26'	26	7	G	11"	1	15.0	13.2	11.5	8.8	6.7	4.9	3.5	2.3	1.3



## Steel Poles Square Straight

Type : \_\_\_\_\_

Have questions? Call us at (800) 436-7800

### WIND SPEED

POLE <sup>1</sup>	Mtg. Height Length (ft)	Wall Thick (ga)	BOLT CIRCLE			EPA									
			Designator	Dia. (in)	Anchor Bolt Dia (in)	110 MPH	115 MPH	120 MPH	130 MPH	140 MPH	150 MPH	160 MPH	170 MPH	180 MPH	
5" x 7-ga x 26'	26	7	G	12"	1	17.0	14.8	13.0	10.2	7.9	6.0	4.4	3.1	2.1	
5" x 7-ga x 26'	26	7	G	13"	1	15.3	13.5	11.8	9.0	6.8	5.0	3.6	2.5	1.4	
5" x 7-ga x 28'	28	7	G	11"	0.75	8.9	7.4	6.3	4.3	2.7	1.4	-	-	-	
5" x 7-ga x 28'	28	7	G	12"	0.75	10.2	8.8	7.5	5.3	3.5	2.1	1.0	-	-	
5" x 7-ga x 28'	28	7	G	13"	0.75	11.8	10.2	8.8	6.4	4.5	3.0	1.7	0.7	-	
5" x 7-ga x 28'	28	7	G	11"	1	12.5	10.9	9.5	7.0	5.0	3.3	2.1	1.0	-	
5" x 7-ga x 28'	28	7	G	12"	1	14.2	12.4	11.0	8.2	6.0	4.3	3.0	1.7	0.8	
5" x 7-ga x 28'	28	7	G	13"	1	12.9	11.0	9.7	7.2	5.2	3.6	2.2	1.1	-	
5" x 7-ga x 30'	30	7	G	11"	0.75	7.0	5.8	4.7	2.8	1.3	-	-	-	-	
5" x 7-ga x 30'	30	7	G	12"	0.75	8.4	7.0	5.8	3.8	2.2	0.9	-	-	-	
5" x 7-ga x 30'	30	7	G	13"	0.75	9.7	8.2	7.0	4.8	3.0	1.6	0.5	-	-	
5" x 7-ga x 30'	30	7	G	11"	1	10.4	8.8	7.6	5.3	3.4	2.0	0.8	-	-	
5" x 7-ga x 30'	30	7	G	12"	1	12.0	10.3	9.0	6.4	4.4	2.9	1.6	0.5	-	
5" x 7-ga x 30'	30	7	G	13"	1	10.6	9.1	7.7	5.5	3.6	2.1	1.0	-	-	
5" x 7-ga x 35'	35	7	G	11"	0.75	3.2	2.2	1.2	-	-	-	-	-	-	
5" x 7-ga x 35'	35	7	G	12"	0.75	4.4	3.2	2.2	0.5	-	-	-	-	-	
5" x 7-ga x 35'	35	7	G	13"	0.75	5.5	4.2	3.1	1.3	-	-	-	-	-	
5" x 7-ga x 35'	35	7	G	11"	1	6.0	4.8	3.6	1.8	-	-	-	-	-	
5" x 7-ga x 35'	35	7	G	12"	1	7.3	6.0	4.8	2.7	1.1	-	-	-	-	
5" x 7-ga x 35'	35	7	G	13"	1	6.3	5.0	3.8	1.9	-	-	-	-	-	
6" x 7-ga x 24'	24	7	H	11"	1	16.5	14.4	12.6	9.6	7.2	5.3	3.8	2.5	1.4	
6" x 7-ga x 24'	24	7	H	12-1/2"	1	19.8	17.5	15.4	12.0	9.2	7.0	5.3	3.8	2.7	
6" x 7-ga x 24'	24	7	H	14"	1	23.0	20.5	18.0	14.3	11.2	8.9	6.9	5.3	3.8	
6" x 7-ga x 26'	26	7	H	11"	1	13.7	11.8	10.2	7.5	5.3	3.6	2.1	1.0	-	
6" x 7-ga x 26'	26	7	H	12-1/2"	1	16.5	14.6	12.6	9.6	7.0	5.2	3.6	2.2	1.1	
6" x 7-ga x 26'	26	7	H	14"	1	19.6	17.3	15.2	11.7	8.9	6.7	5.0	3.5	2.2	
6" x 7-ga x 28'	28	7	H	11"	1	11.0	9.3	7.8	5.5	3.5	1.9	0.6	-	-	
6" x 7-ga x 28'	28	7	H	12-1/2"	1	13.8	12.0	10.2	7.5	5.2	3.4	1.9	0.7	-	
6" x 7-ga x 28'	28	7	H	14"	1	16.4	14.5	12.5	9.4	6.9	4.7	3.2	1.8	0.7	
6" x 7-ga x 30'	30	7	H	11"	1	9.0	7.3	6.0	3.6	1.9	0.5	-	-	-	
6" x 7-ga x 30'	30	7	H	12-1/2"	1	11.4	9.6	8.0	5.5	3.4	1.7	-	-	-	
6" x 7-ga x 30'	30	7	H	14"	1	14.0	12.0	10.0	7.2	5.0	3.2	1.6	-	-	
6" x 7-ga x 32'	32	7	H	11"	1	7.0	5.5	4.2	2.0	-	-	-	-	-	
6" x 7-ga x 32'	32	7	H	12-1/2"	1	9.2	7.6	6.0	3.8	1.8	-	-	-	-	
6" x 7-ga x 32'	32	7	H	14"	1	11.4	9.7	8.0	5.4	3.2	1.6	-	-	-	
6" x 7-ga x 34'	34	7	H	11"	1	5.1	3.7	2.5	0.6	-	-	-	-	-	
6" x 7-ga x 34'	34	7	H	12-1/2"	1	7.2	5.6	4.4	2.2	-	-	-	-	-	
6" x 7-ga x 34'	34	7	H	14"	1	9.3	7.6	6.2	3.6	1.7	-	-	-	-	
6" x 7-ga x 35'	35	7	H	11"	1	4.2	3.0	1.8	-	-	-	-	-	-	
6" x 7-ga x 35'	35	7	H	12-1/2"	1	6.2	4.8	3.6	1.4	-	-	-	-	-	
6" x 7-ga x 35'	35	7	H	14"	1	8.2	6.6	5.2	2.9	1.0	-	-	-	-	
6" x 7-ga x 39'	39	7	H	11"	1	1.0	-	-	-	-	-	-	-	-	
6" x 7-ga x 39'	39	7	H	12-1/2"	1	3.0	1.6	0.5	-	-	-	-	-	-	
6" x 7-ga x 39'	39	7	H	14"	1	4.6	3.3	2.0	-	-	-	-	-	-	



Catalog #: \_\_\_\_\_ Project: \_\_\_\_\_ Type: \_\_\_\_\_  
Prepared By: \_\_\_\_\_ Date: \_\_\_\_\_

## V-Locity Small (VALS)

### Outdoor LED Area Light



OVERVIEW	
Lumen Package	6,000 - 27,000
Wattage Range	36 - 178
Efficacy Range (LPW)	96 - 171
Weight lbs(kg)	20 (9.1)
Control Options	IMSBT, ALB, ALS, 7-Pin, PCI

#### QUICK LINKS

[Ordering Guide](#)

[Performance](#)

[Photometrics](#)

[Dimensions](#)

#### FEATURES & SPECIFICATIONS

##### Construction

- Rugged die-cast aluminum housing contains factory prewired driver and optical units. Cast aluminum wiring access door located underneath.
- Self-contained optic, board and heat sink assembly can be rotated or replaced in the field.
- Fixtures are finished with LSI's DuraGrip® polyester powder coat finishing process. The DuraGrip finish withstands extreme weather changes without cracking or peeling. Other standard LSI finishes available. Consult factory.
- Shipping weight: TBD lbs in carton.

##### Optical System

- State-of-the-Art acrylic optics delivers industry leading optical control with an integrated gasket to provide IP66 rated seal.
- Proprietary refractor optics provide exceptional coverage and uniformity in distribution types 2, 3M, 3W, 4M, 4W, 4F, FTM, 5QN, 5QM, 5Q, 5QW, AM, WF and LC/RC.
- Available in 5000K, 4000K, 3500K, 3000K and 2700K color temperatures per ANSI C78.377 as well as phosphor converted amber.
- Minimum CRI of 80 (optional 70 CRI for 5000K and 4000K).
- Factory or field installable integral shielding available for enhanced spill light control.
- Zero Uplight (excludes adjustable arms).

##### Electrical

- High-performance driver features over-voltage, under voltage, short-circuit and over temperature protection.
- 0-10 volt dimming (10% - 100%) standard, must specify EXT option for dimming leads to be extended to fixture exterior.
- Standard Universal Voltage (120-277 VAC) Input 50/60 Hz or optional High Voltage (347-480 VAC).
- L70 Calculated Life: >60k Hours
- Total harmonic distortion: <20%
- Operating temperature: -40°C to +50°C (-40°F to +122°F).
- Power factor: >.90
- Input power stays constant over life.
- Field replaceable 10kV surge protection device meets a minimum Category C Low operation (per ANSI/IEEE C62.41.2).
- High-efficiency LEDs mounted to metal-core circuit board to maximize heat dissipation
- Driver is fully encased in potting material for moisture resistance and complies with FCC standards. Driver and key electronic components can easily be accessed.

##### Controls

- Optional integral passive infrared Bluetooth™ motion and photocell sensor. Fixtures operate independently and can be commissioned via iOS or Android configuration app.
- LSI's AirLink™ wireless control system options reduce energy and maintenance costs while optimizing light quality 24/7.

##### Installation

- REDiMount pole mount arm allows for a true one person installation.
- Side arm pole mount designed to mount to square or round poles.
- Pole mount arms can accommodate pole drill patterns from 2.4 to 5" on center and utilize LSI's reduced B3 or traditional B5 drill patterns.
- Additional mounting options are available including a mast arm or adjustable slip fitter that allow for luminaire attachment to a 2 3/8" tenon or mast arm.
- Adjustable arms allow for 65° of tilt (-5° below horizontal to +60° above horizontal) in 5° increments.

##### Warranty

- LSI luminaires carry a 5-year limited warranty. Refer to <https://www.lsicorp.com/resources/terms-conditions-warranty/> for more information.

##### Listings

- Listed to UL 1598 and UL 8750.
- Meets Buy American Act requirements.
- DarkSky approved with 3000K or warmer color temperature selection (side arm pole and mast arm mounting only).
- Title 24 Compliant; see local ordinance for qualification information.
- Suitable for wet locations.
- IP66 rated Luminaire per IEC 60598-1.
- 3G rated for ANSI C136.31 high vibration applications are qualified.





Date: 10/17/2024

Project:  
MARTIN STREET BUS  
TERMINAL

Description:  
VALS-15L-4W-UNV-50K7-BLK-SA-IS

Line Item#: 9  
Go to Bill of Materials

Type: D

Powered by 4submittal.com

## V-Locity Small (VALS) Outdoor LED Area Light

Type : \_\_\_\_\_

Have questions? Call us at (800) 436-7800

### ORDERING GUIDE

[Back to Quick Links](#)

TYPICAL ORDER EXAMPLE: VALS 18L 4W UNV 40K8 BLK SA ALBMR2LR IS						
Prefix	Lumen Package	Distribution	Orientation <sup>2</sup>	Voltage	Color Temp / Rendering	Finish
<b>VALS</b> - V-Locity Area Light Small	<b>6L</b> - 6,000 lms, 36W <b>9L</b> - 9,000 lms, 54W <b>12L</b> - 12,000 lms, 74W <b>15L</b> - 15,000 lms, 91W <b>18L</b> - 18,000 lms, 111W <b>21L</b> - 21,000 lms, 130W <b>24L</b> - 24,000 lms, 155W <b>27L</b> - 27,000 lms, 178W Custom Lumen Packages <sup>1</sup>	<b>2</b> - Type 2 <b>3M</b> - Type 3 Medium <b>3W</b> - Type 3 Wide <b>4M</b> - Type 4 Medium <b>4F</b> - Type 4 Forward <b>4W</b> - Type 4 Wide <b>FTM</b> - Forward Throw Medium <b>5QN</b> - Type 5 Square Narrow <b>5QM</b> - Type 5 Square Medium <b>5Q</b> - Type 5 Square <b>5QW</b> - Type 5 Square Wide <b>AM</b> - Automotive Merchandise <b>WF</b> - 6x6 Wide Flood <b>LC</b> - Left Corner <b>RC</b> - Right Corner	<b>(Blank)</b> - Standard <b>L</b> - Optics rotated left 90° <b>R</b> - Optics rotated right 90°	<b>UNV</b> - Universal Voltage (120-277V) <b>HV</b> - High Voltage (347-480V)	<b>50K7</b> - 5000 CCT - 70 CRI <b>50K8</b> - 5000 CCT - 80 CRI <b>40K7</b> - 4000 CCT - 70 CRI <b>40K8</b> - 4000 CCT - 80 CRI <b>35K8</b> - 3500 CCT - 80 CRI <b>30K8</b> - 3000 CCT - 80 CRI <b>27K8</b> - 2700 CCT - 80 CRI	<b>BLK</b> - Black <b>BRZ</b> - Dark Bronze <b>GMG</b> - Gun Metal Gray <b>GPT</b> - Graphite <b>MSV</b> - Metallic Silver <b>PLP</b> - Platinum Plus <b>SVG</b> - Satin Verde Green <b>WHT</b> - White

Mounting	Controls (Choose One)	Options
<b>SA</b> - Universal Side Arm Pole Mount <b>SF</b> - Adjustable Slip Fitter <b>UA</b> - Universal Adjustable Pole Mount Arm <b>MA</b> - Mast Arm	<b>(Blank)</b> - None <b>Wireless Controls System</b> <b>ALSC</b> - AirLink Synapse Control System <b>ALSCS2</b> - AirLink Synapse Control System with 12-20' MH Motion Sensor <b>ALSCS4</b> - AirLink Synapse Control System with 20-40' MH Motion Sensor  <b>ALBMR1LR</b> - AirLink Blue Long Range Wireless Multi-Range Sensor Controller (8-15' MH) <sup>4</sup> <b>ALBMR2LR</b> - AirLink Blue Long Range Wireless Multi-Range Sensor Controller (16-40' MH) <sup>4</sup>	<b>IS</b> - Integral Shield <sup>2</sup> <b>TE</b> - Toolless Entry (Mast Arm Only)  <b>Stand-Alone Controls</b> <b>EXT</b> - 0-10v Dimming leads extended to housing exterior <b>CR7P</b> - 7 Pin Control Receptacle ANSI C136.41 <sup>3</sup>  <b>IMSBTL1</b> - Integral Bluetooth™ Motion and Photocell Sensor (8-24' MH) <sup>4</sup> <b>IMSBTL2</b> - Integral Bluetooth™ Motion and Photocell Sensor (25-40' MH) <sup>4</sup>  <b>PCIU</b> - 120-277 Button Photocell <b>PCIB47</b> - 347V Button Photocell



**Need more information?**  
Click here for our glossary

**Have additional questions?**  
Call us at (800) 436-7800



### Accessory Ordering Information<sup>5</sup>

CONTROLS ACCESSORIES	
Description	Order Number
Twist Lock Photocell (120V) for use with CR7P	122514
Twist Lock Photocell (208-277) for use with CR7P	122515
Twist Lock Photocell (347V) for use with CR7P	122516
Twist Lock Photocell (480V) for use with CR7P	1225180
AirLink 5 Pin Twist Lock Controller	661409
AirLink 7 Pin Twist Lock Controller	661410
Shorting Cap for use with CR7P	149328

FUSING OPTIONS <sup>7</sup>	
Description	Order Number
Single Fusing (120V)	See Fusing Accessory Guide
Single Fusing (277V)	
Double Fusing (208V, 240V)	
Double Fusing (480V)	
Double Fusing (347V)	

EXTERNAL SHIELDING OPTIONS	
Description	Order Number
1.5" External Shield	<a href="#">See Shielding Guide</a>
3" External Shield	<a href="#">Guide</a>

- Custom lumen and wattage packages available, consult factory. Values are within industry standard tolerances but not DLC listed.
- Not available on Type 5 or wide flood distributions.
- Control device or shorting cap must be ordered separately. See Accessory Ordering Information.
- Motion sensors are field configurable via the LSI app that can be downloaded from your smartphone's native app store.
- Accessories are shipped separately and field installed.
- "CLR" denotes finish. See Finish options.
- Fusing must be located in hand hole of pole. See [Fusing Accessory Guide](#) for compatibility.

## V-Locity Small (VALS) Outdoor LED Area Light

Type : \_\_\_\_\_

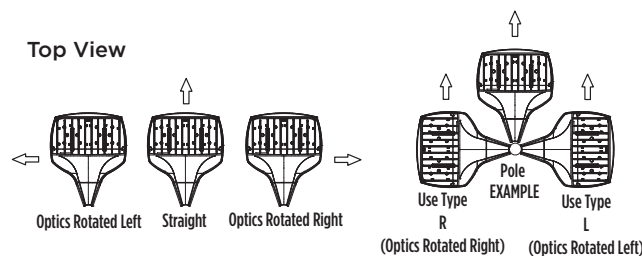
Have questions? Call us at (800) 436-7800

### ACCESSORIES

MOUNTING ACCESSORIES		SHIELDING, POLES & MISC. ACCESSORIES		
Side Arm	<b>Bullhorn Bracket</b> Mounts onto a 2" (51mm) IP, 2.375" (60mm) O.D. tenon and allows for mounting up to 4 adjustable slip fitter mount luminaires <b>Part Number: BKS PTB 2 CLR / BKS PTB 12 CLR (2 Luminaires)</b> <b>Part Number: BKS PTB 3-30 CLR / BKS PTB 13-30 CLR (3 Luminaires)</b> <b>Part Number: BKS PTB 4 CLR / BKS PTB 14 CLR (4 Luminaires)</b>		<b>Integral Shield for Asymmetric Distributions</b> Field Install Integral shield provides maximum backlight control by shielding each individual row of LEDs with minimal impact on Street/front side distribution (includes 2 shields) <b>Part Number: 839727</b>	
	<b>Flood Wall Mount Bracket</b> Mounts onto vertical wall surface (hardware/anchors not included) <b>Part Number: BKS FMW 5 CLR (5" Straight Version)</b> <b>Part Number: BKS FMW 18 CLR (18" Curved Version)</b>			<b>Integral Shield for Left and Right Corner Distributions</b> Field install integral shield provides cutoff from two sides for maximum spill light control when utilizing LC or RC corner distributions (includes 2 shields) <b>Part Number: TBD</b>
	<b>Bolt on Side Tenon Mount</b> Bolt on Side Tenon Mount <b>Part Number: BKSFB0 5 CLR (5" Straight Version)</b> <b>Part Number: BKSFB0 18 CLR (18" Curved Version)</b> <b>Part Number: BKSFB0 30 CLR (30" Dual Tenon Version)</b>			
Tenon / Slipfitter	<b>Square Tenon Top</b> Allows to seamlessly integrate LSI luminaires to open top 4", 5" or 6" square poles with 11 ga. Or 7 ga. wall thickness <b>Part Number: BKA ISF10 _SQ CLR</b>		<b>Square Poles</b> 14 - 39" steel and aluminum poles in 4", 5" and 6" sizes for retrofit and new construction <b>Part Number: 45Q/55Q/65Q</b>	
	<b>Square Tenon Top</b> Mounts onto a 2" (51mm) IP, 2.375" (60mm) O.D. tenon and allows for mounting up to 4 luminaires <b>Part Number: BKA XMM *</b>			<b>Round Poles</b> 10 - 30" steel and aluminum poles in 4" and 5" sizes for retrofit and new construction <b>Part Number: 4RP/SRP</b>
	<b>Square Internal Slipfitter</b> Mounts inside 4" or 5" square pole and allows for mounting up to 4 luminaires <b>Part Number: BKA X_ISF * CLR</b>			<b>Tapered Poles</b> 20" - 39" steel and aluminum poles for retrofit and new construction <b>Part Number: RTP</b>
Wall Mount/ Wood Pole	<b>Wall Mount Bracket</b> Mounts onto vertical wall surface ( hardware/anchors not included) <b>Part Number: BKS XBO WM CLR</b>		<b>Bird Spikes</b> 10' linear bird spike (3' recommended per luminaire) silicone adhesive (covers approximately 25' linear fee of bird spike) and application tool <b>Spike Part Number: 751631</b> <b>Adhesive Part Number: 751632</b> <b>Caulk Gun Part Number: 751636</b>	
	<b>Wood Pole Bracket</b> Mounts onto wooden poles (6" minimum OD, hardware/anchors not included) <b>Part Number: BKS XBO WP CLR</b>			

- 1 Replace CLR with paint finish description
- 2 Replace XX with SQ for square pole or RD for round pole (≥3" OD)
- 3 Replace \* with S (Single), D180 (Double @180°), D90 (Double @90°), T90 (Triple), Q90 (Quad)
- 4 Replace \_ with 4 (4" square pole) or 5 (5" square pole)

### OPTICS ROTATION



### ACCESSORIES/OPTIONS

#### Integral Shield (IS)

Integral Shield (IS) available for improved backlight control without sacrificing Street side performance. LSI's Integral Shield (IS) option delivers backlight control that significantly reduces spill light behind the pole for applications with pole locations close to adjacent properties. The design maximizes forward reflected light while reducing glare, maintaining the optical distribution selected, and most importantly eliminating light trespass. Shields rotate with the optical distribution.



#### 7 Pin Photoelectric Control

7-pin ANSI C136.41-2013 control receptacle option available for twist lock photocontrols or wireless control modules. Control accessories sold separately. Dimming leads from the receptacle will be connected to the driver dimming leads (Consult factory for alternate wiring).





Date: 10/17/2024

Project:  
MARTIN STREET BUS  
TERMINAL

Description:  
VALS-15L-4W-UNV-50K7-BLK-SA-IS

Line Item#: 9  
Go to Bill of Materials

Type: D  
Powered by 4submittal.com

# V-Locity Small (VALS) Outdoor LED Area Light

Type : \_\_\_\_\_

Have questions? Call us at (800) 436-7800

## PERFORMANCE

[Back to Quick Links](#)

Delivered Lumens (70 CRI)									
Lumen Package	Distribution	CRI	4000K CCT			5000K CCT			Wattage
			Delivered Lumens	Efficacy	BUG Rating	Delivered Lumens	Efficacy	BUG Rating	
6L	2	70	5,696	158	B1-U0-G3	5,709	157	B1-U0-G3	36
	3M		5,432	151	B1-U0-G2	5,444	150	B1-U0-G2	
	3W		5,148	143	B1-U0-G3	5,160	142	B1-U0-G3	
	4M		5,524	153	B1-U0-G2	5,537	152	B1-U0-G2	
	4F		5,251	146	B1-U0-G3	5,263	145	B1-U0-G3	
	4W		4,811	134	B1-U0-G3	4,822	133	B1-U0-G3	
	FTM		5,297	147	B1-U0-G2	5,309	146	B1-U0-G2	
	5QN		6,025	167	B2-U0-G1	6,038	166	B2-U0-G1	
	5QM		6,141	171	B3-U0-G1	6,155	169	B3-U0-G1	
	5Q		5,917	164	B3-U0-G1	5,931	163	B3-U0-G1	
	5QW		5,748	160	B3-U0-G2	5,761	159	B3-U0-G1	
	AM		5,908	164	B0-U0-G1	5,921	163	B0-U0-G1	
	WF		6,097	169	B2-U0-G0	6,111	168	B2-U0-G0	
	LC/RC		4,974	138	B1-U0-G3	4,985	137	B1-U0-G3	
9L	2	70	8,562	159	B2-U0-G3	8,581	159	B2-U0-G3	54
	3M		8,165	151	B1-U0-G3	8,184	152	B1-U0-G3	
	3W		7,739	143	B1-U0-G3	7,756	144	B1-U0-G3	
	4M		8,304	154	B1-U0-G3	8,323	154	B1-U0-G3	
	4F		7,894	146	B1-U0-G4	7,911	147	B1-U0-G3	
	4W		7,232	134	B1-U0-G3	7,248	134	B1-U0-G3	
	FTM		7,963	147	B1-U0-G2	7,981	148	B1-U0-G2	
	5QN		9,056	168	B3-U0-G1	9,077	168	B3-U0-G1	
	5QM		9,231	171	B3-U0-G2	9,252	171	B3-U0-G2	
	5Q		8,895	165	B3-U0-G2	8,915	165	B3-U0-G2	
	5QW		8,640	160	B4-U0-G2	8,659	160	B4-U0-G2	
	AM		8,880	164	B0-U0-G2	8,900	165	B0-U0-G2	
	WF		9,165	170	B3-U0-G0	9,186	170	B3-U0-G0	
	LC/RC		7,477	138	B1-U0-G3	7,494	139	B1-U0-G3	
12L	2	70	11,651	157	B2-U0-G3	11,677	158	B2-U0-G3	74
	3M		11,111	150	B1-U0-G3	11,136	151	B1-U0-G3	
	3W		10,531	142	B2-U0-G4	10,554	143	B2-U0-G4	
	4M		11,300	153	B1-U0-G3	11,325	153	B1-U0-G3	
	4F		10,741	145	B1-U0-G4	10,765	146	B1-U0-G4	
	4W		9,840	133	B1-U0-G3	9,862	133	B1-U0-G3	
	FTM		10,835	146	B1-U0-G3	10,859	147	B1-U0-G3	
	5QN		12,323	167	B3-U0-G1	12,351	167	B3-U0-G1	
	5QM		12,561	170	B4-U0-G2	12,589	170	B4-U0-G2	
	5Q		12,104	164	B4-U0-G2	12,131	164	B4-U0-G2	
	5QW		11,757	159	B4-U0-G2	11,783	159	B4-U0-G2	
	AM		12,083	163	B1-U0-G2	12,111	164	B1-U0-G2	
	WF		12,471	169	B3-U0-G1	12,499	169	B3-U0-G1	
	LC/RC		10,175	137	B2-U0-G3	10,197	138	B2-U0-G3	



Date: 10/17/2024

Project:  
MARTIN STREET BUS  
TERMINAL

Description:  
VALS-15L-4W-UNV-50K7-BLK-SA-IS

Line Item#: 9  
Go to Bill of Materials

Type: D  
Powered by 4submittal.com

### V-Locity Small (VALS) Outdoor LED Area Light

Type : \_\_\_\_\_

Have questions? Call us at (800) 436-7800

#### PERFORMANCE

[Back to Quick Links](#)

Delivered Lumens (70 CRI)									
Lumen Package	Distribution	CRI	4000K CCT			5000K CCT			Wattage
			Delivered Lumens	Efficacy	BUG Rating	Delivered Lumens	Efficacy	BUG Rating	
15L	2	70	14,118	155	B2-U0-G4	14,150	156	B2-U0-G4	91
	3M		13,464	148	B1-U0-G3	13,494	149	B1-U0-G3	
	3W		12,761	140	B2-U0-G4	12,789	141	B2-U0-G4	
	4M		13,693	150	B1-U0-G3	13,724	151	B1-U0-G3	
	4F		13,016	143	B2-U0-G5	13,045	144	B1-U0-G5	
	4W		11,924	131	B1-U0-G4	11,951	132	B1-U0-G4	
	FTM		13,130	144	B1-U0-G3	13,159	145	B1-U0-G3	
	5QN		14,933	164	B3-U0-G2	14,966	165	B3-U0-G2	
	5QM		15,221	167	B4-U0-G2	15,255	168	B4-U0-G2	
	5Q		14,667	161	B4-U0-G2	14,699	162	B4-U0-G2	
	5QW		14,246	157	B4-U0-G2	14,278	158	B4-U0-G2	
	AM		14,642	161	B1-U0-G2	14,675	162	B1-U0-G2	
	WF		15,112	166	B3-U0-G1	15,146	167	B3-U0-G1	
	LC/RC		12,329	135	B2-U0-G4	12,357	136	B2-U0-G4	
18L	2	70	17,086	154	B3-U0-G4	17,124	154	B3-U0-G4	111
	3M		16,294	147	B2-U0-G4	16,331	147	B2-U0-G4	
	3W		15,443	139	B2-U0-G5	15,477	139	B2-U0-G5	
	4M		16,571	149	B1-U0-G4	16,608	150	B1-U0-G4	
	4F		15,751	142	B2-U0-G5	15,786	142	B2-U0-G5	
	4W		14,430	130	B2-U0-G4	14,462	130	B2-U0-G4	
	FTM		15,889	143	B1-U0-G3	15,925	144	B1-U0-G3	
	5QN		18,072	163	B4-U0-G2	18,112	163	B3-U0-G2	
	5QM		18,420	166	B4-U0-G2	18,461	166	B4-U0-G2	
	5Q		17,749	160	B4-U0-G2	17,789	160	B4-U0-G2	
	5QW		17,241	155	B5-U0-G3	17,279	156	B5-U0-G3	
	AM		17,720	160	B1-U0-G2	17,760	160	B1-U0-G2	
	WF		18,289	165	B4-U0-G1	18,330	165	B4-U0-G1	
	LC/RC		14,920	134	B2-U0-G4	14,954	135	B2-U0-G4	



Date: 10/17/2024

Project:  
MARTIN STREET BUS  
TERMINAL

Description:  
VALS-15L-4W-UNV-50K7-BLK-SA-IS

Line Item#: 9  
Go to Bill of Materials

Type: D  
Powered by 4submittal.com

# V-Locity Small (VALS) Outdoor LED Area Light

Type : \_\_\_\_\_

Have questions? Call us at (800) 436-7800

## PERFORMANCE

[Back to Quick Links](#)

Delivered Lumens (70 CRI)									
Lumen Package	Distribution	CRI	4000K CCT			5000K CCT			Wattage
			Delivered Lumens	Efficacy	BUG Rating	Delivered Lumens	Efficacy	BUG Rating	
21L	2	70	19,582	151	B3-U0-G5	19,625	151	B3-U0-G5	130
	3M		18,674	144	B2-U0-G4	18,716	144	B2-U0-G4	
	3W		17,699	136	B3-U0-G5	17,738	136	B3-U0-G5	
	4M		18,992	146	B1-U0-G4	19,034	146	B1-U0-G4	
	4F		18,053	139	B2-U0-G5	18,093	139	B2-U0-G5	
	4W		16,538	127	B2-U0-G5	16,575	127	B2-U0-G5	
	FTM		18,210	140	B1-U0-G3	18,251	140	B1-U0-G3	
	5QN		20,712	159	B4-U0-G2	20,758	159	B4-U0-G2	
	5QM		21,111	162	B5-U0-G3	21,158	162	B5-U0-G3	
	5Q		20,342	156	B5-U0-G3	20,388	156	B5-U0-G3	
	5QW		19,759	152	B5-U0-G3	19,804	152	B5-U0-G3	
	AM		20,308	156	B1-U0-G2	20,354	156	B1-U0-G2	
	WF		20,960	161	B4-U0-G1	21,007	161	B4-U0-G1	
	LC/RC		17,100	132	B3-U0-G5	17,138	132	B3-U0-G5	
24L	2	70	22,609	146	B3-U0-G5	22,660	146	B3-U0-G5	155
	3M		21,561	139	B2-U0-G4	21,610	139	B2-U0-G4	
	3W		20,435	132	B3-U0-G5	20,480	132	B3-U0-G5	
	4M		21,928	141	B1-U0-G5	21,977	142	B1-U0-G5	
	4F		20,844	134	B2-U0-G5	20,890	135	B2-U0-G5	
	4W		19,095	123	B2-U0-G5	19,138	123	B2-U0-G5	
	FTM		21,026	136	B1-U0-G4	21,073	136	B1-U0-G4	
	5QN		23,914	154	B4-U0-G2	23,967	154	B4-U0-G2	
	5QM		24,375	157	B5-U0-G3	24,430	157	B5-U0-G3	
	5Q		23,487	152	B5-U0-G3	23,540	152	B5-U0-G3	
	5QW		22,815	147	B5-U0-G3	22,865	147	B5-U0-G3	
	AM		23,448	151	B1-U0-G2	23,501	151	B1-U0-G2	
	WF		24,201	156	B4-U0-G1	24,255	156	B4-U0-G1	
	LC/RC		19,744	127	B3-U0-G5	19,788	127	B3-U0-G5	
27L	2	70	25,235	142	B3-U0-G5	25,292	142	B3-U0-G5	178
	3M		24,066	135	B2-U0-G5	24,120	136	B2-U0-G5	
	3W		22,808	128	B3-U0-G5	22,859	129	B3-U0-G5	
	4M		24,475	137	B2-U0-G5	24,530	138	B2-U0-G5	
	4F		23,265	131	B2-U0-G5	23,316	131	B2-U0-G5	
	4W		21,313	120	B2-U0-G5	21,361	121	B2-U0-G5	
	FTM		23,468	132	B2-U0-G4	23,521	133	B2-U0-G4	
	5QN		26,691	150	B4-U0-G2	26,751	151	B4-U0-G2	
	5QM		27,206	153	B5-U0-G3	27,267	153	B5-U0-G3	
	5Q		26,215	147	B5-U0-G3	26,274	148	B5-U0-G3	
	5QW		25,464	143	B5-U0-G4	25,521	144	B5-U0-G4	
	AM		26,172	147	B1-U0-G3	26,231	148	B1-U0-G3	
	WF		27,012	152	B5-U0-G1	27,073	152	B4-U0-G1	
	LC/RC		22,037	124	B3-U0-G5	22,086	125	B3-U0-G5	





Date: 10/17/2024

Project:  
MARTIN STREET BUS  
TERMINAL

Description:  
VALS-15L-4W-UNV-50K7-BLK-SA-IS

Line Item#: 9  
Go to Bill of Materials

Type: D  
Powered by 4submittal.com

# V-Locity Small (VALS) Outdoor LED Area Light

Type : \_\_\_\_\_

Have questions? Call us at (800) 436-7800

## PERFORMANCE

[Back to Quick Links](#)

Delivered Lumens (80 CRI)												
Lumen Package	Distribution	CRI	2700K CCT / 80 CRI			3000K CCT / 80 CRI			3500K CCT / 80 CRI			Wattage
			Delivered Lumens	Efficacy	BUG Rating	Delivered Lumens	Efficacy	BUG Rating	Delivered Lumens	Efficacy	BUG Rating	
6L	2	80	4,843	133	B1-U0-G2	4,985	137	B1-U0-G2	5,009	138	B1-U0-G2	36
	3M		4,619	127	B1-U0-G2	4,754	131	B1-U0-G2	4,777	131	B1-U0-G2	
	3W		4,377	120	B1-U0-G3	4,505	124	B1-U0-G3	4,527	125	B1-U0-G3	
	4M		4,697	129	B0-U0-G2	4,835	133	B0-U0-G2	4,858	134	B0-U0-G2	
	4F		4,465	123	B1-U0-G3	4,595	126	B1-U0-G3	4,618	127	B1-U0-G3	
	4W		4,090	113	B1-U0-G2	4,210	116	B1-U0-G2	4,230	116	B1-U0-G2	
	FTM		4,504	124	B0-U0-G2	4,636	128	B0-U0-G2	4,658	128	B0-U0-G2	
	5QN		5,122	141	B2-U0-G0	5,272	145	B2-U0-G1	5,298	146	B2-U0-G0	
	5QM		5,221	144	B3-U0-G1	5,374	148	B3-U0-G1	5,400	149	B3-U0-G1	
	5Q		5,031	138	B3-U0-G1	5,178	143	B3-U0-G1	5,203	143	B3-U0-G1	
	5QW		4,887	134	B3-U0-G1	5,030	138	B3-U0-G1	5,054	139	B3-U0-G1	
	AM		5,023	138	B0-U0-G1	5,170	142	B0-U0-G1	5,195	143	B0-U0-G1	
	WF		5,184	143	B2-U0-G0	5,336	147	B2-U0-G0	5,362	148	B2-U0-G0	
	LC/RC		4,229	116	B1-U0-G2	4,353	120	B1-U0-G2	4,374	120	B1-U0-G2	
9L	2	80	7,280	135	B1-U0-G3	7,493	139	B1-U0-G3	7,529	139	B1-U0-G3	54
	3M		6,943	129	B1-U0-G2	7,146	132	B1-U0-G2	7,181	133	B1-U0-G2	
	3W		6,580	122	B1-U0-G3	6,772	125	B1-U0-G3	6,805	126	B1-U0-G3	
	4M		7,061	131	B1-U0-G3	7,267	135	B1-U0-G3	7,303	135	B1-U0-G3	
	4F		6,711	124	B1-U0-G3	6,908	128	B1-U0-G3	6,941	129	B1-U0-G3	
	4W		6,148	114	B1-U0-G3	6,328	117	B1-U0-G3	6,359	118	B1-U0-G3	
	FTM		6,770	125	B1-U0-G2	6,968	129	B1-U0-G2	7,002	130	B1-U0-G2	
	5QN		7,700	143	B2-U0-G1	7,925	147	B3-U0-G1	7,964	148	B2-U0-G1	
	5QM		7,848	145	B3-U0-G2	8,078	150	B3-U0-G2	8,117	150	B3-U0-G2	
	5Q		7,562	140	B3-U0-G2	7,784	144	B3-U0-G2	7,822	145	B3-U0-G2	
	5QW		7,346	136	B3-U0-G2	7,561	140	B3-U0-G2	7,598	141	B3-U0-G2	
	AM		7,550	140	B0-U0-G1	7,771	144	B0-U0-G1	7,809	145	B0-U0-G1	
	WF		7,792	144	B3-U0-G0	8,020	149	B3-U0-G0	8,060	149	B3-U0-G0	
	LC/RC		6,357	118	B1-U0-G3	6,543	121	B1-U0-G3	6,575	122	B1-U0-G3	
12L	2	80	9,906	134	B2-U0-G3	10,196	138	B2-U0-G3	10,245	139	B2-U0-G3	74
	3M		9,447	128	B1-U0-G3	9,723	132	B1-U0-G3	9,771	132	B1-U0-G3	
	3W		8,953	121	B2-U0-G3	9,215	125	B2-U0-G4	9,260	125	B2-U0-G3	
	4M		9,608	130	B1-U0-G3	9,889	134	B1-U0-G3	9,937	134	B1-U0-G3	
	4F		9,132	124	B1-U0-G4	9,399	127	B1-U0-G4	9,445	128	B1-U0-G4	
	4W		8,366	113	B1-U0-G3	8,611	117	B1-U0-G3	8,653	117	B1-U0-G3	
	FTM		9,212	125	B1-U0-G3	9,482	128	B1-U0-G3	9,528	129	B1-U0-G3	
	5QN		10,477	142	B3-U0-G1	10,784	146	B3-U0-G1	10,837	147	B3-U0-G1	
	5QM		10,680	145	B4-U0-G2	10,992	149	B4-U0-G2	11,046	149	B4-U0-G2	
	5Q		10,291	139	B4-U0-G2	10,592	143	B4-U0-G2	10,643	144	B4-U0-G2	
	5QW		9,996	135	B4-U0-G2	10,288	139	B4-U0-G2	10,338	140	B4-U0-G2	
	AM		10,274	139	B1-U0-G2	10,574	143	B1-U0-G2	10,626	144	B1-U0-G2	
	WF		10,603	144	B3-U0-G0	10,914	148	B3-U0-G0	10,967	148	B3-U0-G0	
	LC/RC		8,651	117	B2-U0-G3	8,904	121	B2-U0-G3	8,947	121	B2-U0-G3	



Date: 10/17/2024

Project:  
MARTIN STREET BUS  
TERMINAL

Description:  
VALS-15L-4W-UNV-50K7-BLK-SA-IS

Line Item#: 9  
Go to Bill of Materials

Type: D  
Powered by 4submittal.com

# V-Locity Small (VALS) Outdoor LED Area Light

Type : \_\_\_\_\_

Have questions? Call us at (800) 436-7800

## PERFORMANCE

[Back to Quick Links](#)

Delivered Lumens (80 CRI)									
Lumen Package	Distribution	CRI	4000K CCT / 80 CRI			5000K CCT / 80 CRI			Wattage
			Delivered Lumens	Efficacy	BUG Rating	Delivered Lumens	Efficacy	BUG Rating	
6L	2	80	5,219	144	B1-U0-G2	5,330	147	B1-U0-G2	36
	3M		4,978	137	B1-U0-G2	5,083	140	B1-U0-G2	
	3W		4,717	130	B1-U0-G3	4,818	133	B1-U0-G3	
	4M		5,062	139	B0-U0-G2	5,170	142	B0-U0-G2	
	4F		4,812	132	B1-U0-G3	4,914	135	B1-U0-G3	
	4W		4,408	121	B1-U0-G2	4,502	124	B1-U0-G2	
	FTM		4,854	134	B0-U0-G2	4,957	136	B0-U0-G2	
	5QN		5,521	152	B2-U0-G1	5,638	155	B2-U0-G1	
	5QM		5,627	155	B3-U0-G1	5,747	158	B3-U0-G1	
	5Q		5,422	149	B3-U0-G1	5,537	152	B3-U0-G1	
	5QW		5,267	145	B3-U0-G1	5,379	148	B3-U0-G1	
	AM		5,413	149	B0-U0-G1	5,528	152	B0-U0-G1	
	WF		5,587	154	B2-U0-G0	5,706	157	B2-U0-G0	
	LC/RC		4,558	125	B1-U0-G2	4,655	128	B1-U0-G2	
9L	2	80	7,846	145	B1-U0-G3	8,012	148	B1-U0-G3	54
	3M		7,482	139	B1-U0-G3	7,641	142	B1-U0-G3	
	3W		7,091	131	B1-U0-G3	7,242	134	B1-U0-G3	
	4M		7,609	141	B1-U0-G3	7,771	144	B1-U0-G3	
	4F		7,233	134	B1-U0-G3	7,387	137	B1-U0-G3	
	4W		6,626	123	B1-U0-G3	6,767	125	B1-U0-G3	
	FTM		7,296	135	B1-U0-G2	7,451	138	B1-U0-G2	
	5QN		8,298	154	B3-U0-G1	8,475	157	B3-U0-G1	
	5QM		8,458	157	B3-U0-G2	8,638	160	B3-U0-G2	
	5Q		8,150	151	B3-U0-G2	8,324	154	B3-U0-G2	
	5QW		7,917	147	B3-U0-G2	8,085	150	B3-U0-G2	
	AM		8,137	151	B0-U0-G1	8,310	154	B0-U0-G1	
	WF		8,398	156	B3-U0-G0	8,577	159	B3-U0-G0	
	LC/RC		6,851	127	B1-U0-G3	6,997	130	B1-U0-G3	
12L	2	80	10,676	144	B2-U0-G3	10,903	148	B2-U0-G3	74
	3M		10,181	138	B1-U0-G3	10,398	141	B1-U0-G3	
	3W		9,649	131	B2-U0-G4	9,854	133	B2-U0-G4	
	4M		10,354	140	B1-U0-G3	10,574	143	B1-U0-G3	
	4F		9,842	133	B1-U0-G4	10,051	136	B1-U0-G4	
	4W		9,017	122	B1-U0-G3	9,208	125	B1-U0-G3	
	FTM		9,928	134	B1-U0-G3	10,139	137	B1-U0-G3	
	5QN		11,292	153	B3-U0-G1	11,532	156	B3-U0-G1	
	5QM		11,510	156	B4-U0-G2	11,754	159	B4-U0-G2	
	5Q		11,090	150	B4-U0-G2	11,326	153	B4-U0-G2	
	5QW		10,773	146	B4-U0-G2	11,002	149	B4-U0-G2	
	AM		11,072	150	B1-U0-G2	11,308	153	B1-U0-G2	
	WF		11,428	155	B3-U0-G0	11,671	158	B3-U0-G0	
	LC/RC		9,323	126	B2-U0-G3	9,521	129	B2-U0-G3	

### V-Locity Small (VALS) Outdoor LED Area Light

Type : \_\_\_\_\_

Have questions? Call us at (800) 436-7800

**PERFORMANCE**

[Back to Quick Links](#)

Delivered Lumens (80 CRI)												
Lumen Package	Distribution	CRI	2700K CCT / 80 CRI			3000K CCT / 80 CRI			3500K CCT / 80 CRI			Wattage
			Delivered Lumens	Efficacy	BUG Rating	Delivered Lumens	Efficacy	BUG Rating	Delivered Lumens	Efficacy	BUG Rating	
15L	2	80	12,004	132	B2-U0-G3	12,355	136	B2-U0-G3	12,415	137	B2-U0-G3	91
	3M		11,448	126	B1-U0-G3	11,783	130	B1-U0-G3	11,840	131	B1-U0-G3	
	3W		10,849	120	B2-U0-G4	11,167	123	B2-U0-G4	11,221	124	B2-U0-G4	
	4M		11,642	128	B1-U0-G3	11,983	132	B1-U0-G3	12,041	133	B1-U0-G3	
	4F		11,066	122	B1-U0-G4	11,390	126	B1-U0-G4	11,445	126	B1-U0-G4	
	4W		10,138	112	B1-U0-G3	10,435	115	B1-U0-G3	10,486	116	B1-U0-G3	
	FTM		11,163	123	B1-U0-G3	11,490	127	B1-U0-G3	11,546	127	B1-U0-G3	
	5QN		12,696	140	B3-U0-G1	13,068	144	B3-U0-G1	13,131	145	B3-U0-G1	
	5QM		12,941	143	B4-U0-G2	13,320	147	B4-U0-G2	13,385	148	B4-U0-G2	
	5Q		12,470	138	B4-U0-G2	12,835	142	B4-U0-G2	12,897	142	B4-U0-G2	
	5QW		12,113	134	B4-U0-G2	12,467	138	B4-U0-G2	12,528	138	B4-U0-G2	
	AM		12,449	137	B1-U0-G2	12,814	141	B1-U0-G2	12,876	142	B1-U0-G2	
	WF		12,849	142	B3-U0-G1	13,225	146	B3-U0-G1	13,289	147	B3-U0-G1	
	LC/RC		10,482	116	B2-U0-G3	10,789	119	B2-U0-G4	10,842	120	B2-U0-G3	
18L	2	80	14,526	131	B2-U0-G4	14,952	135	B2-U0-G4	15,024	135	B2-U0-G4	111
	3M		13,853	125	B1-U0-G3	14,259	129	B1-U0-G3	14,328	129	B1-U0-G3	
	3W		13,129	118	B2-U0-G4	13,514	122	B2-U0-G5	13,579	122	B2-U0-G4	
	4M		14,089	127	B1-U0-G3	14,501	131	B1-U0-G3	14,572	131	B1-U0-G3	
	4F		13,392	121	B1-U0-G5	13,784	124	B2-U0-G5	13,851	125	B1-U0-G5	
	4W		12,269	111	B1-U0-G4	12,628	114	B1-U0-G4	12,689	114	B1-U0-G4	
	FTM		13,509	122	B1-U0-G3	13,905	125	B1-U0-G3	13,972	126	B1-U0-G3	
	5QN		15,365	138	B3-U0-G2	15,814	143	B3-U0-G2	15,891	143	B3-U0-G2	
	5QM		15,661	141	B4-U0-G2	16,119	145	B4-U0-G2	16,198	146	B4-U0-G2	
	5Q		15,091	136	B4-U0-G2	15,532	140	B4-U0-G2	15,608	141	B4-U0-G2	
	5QW		14,658	132	B4-U0-G2	15,087	136	B4-U0-G2	15,161	137	B4-U0-G2	
	AM		15,066	136	B1-U0-G2	15,507	140	B1-U0-G2	15,582	140	B1-U0-G2	
	WF		15,549	140	B3-U0-G1	16,004	144	B3-U0-G1	16,082	145	B3-U0-G1	
	LC/RC		12,685	114	B2-U0-G4	13,057	118	B2-U0-G4	13,120	118	B2-U0-G4	
21L	2	80	16,649	128	B2-U0-G4	17,136	131	B2-U0-G4	17,219	132	B2-U0-G4	130
	3M		15,877	122	B2-U0-G3	16,342	125	B2-U0-G4	16,422	126	B2-U0-G3	
	3W		15,047	115	B2-U0-G5	15,488	119	B2-U0-G5	15,563	119	B2-U0-G5	
	4M		16,147	124	B1-U0-G4	16,620	128	B1-U0-G4	16,701	128	B1-U0-G4	
	4F		15,348	118	B2-U0-G5	15,797	121	B2-U0-G5	15,874	122	B2-U0-G5	
	4W		14,061	108	B2-U0-G4	14,473	111	B2-U0-G4	14,543	112	B2-U0-G4	
	FTM		15,483	119	B1-U0-G3	15,936	122	B1-U0-G3	16,014	123	B1-U0-G3	
	5QN		17,609	135	B3-U0-G2	18,125	139	B3-U0-G2	18,213	140	B3-U0-G2	
	5QM		17,949	138	B4-U0-G2	18,474	142	B4-U0-G2	18,564	142	B4-U0-G2	
	5Q		17,295	133	B4-U0-G2	17,801	137	B4-U0-G2	17,888	137	B4-U0-G2	
	5QW		16,800	129	B5-U0-G3	17,291	133	B5-U0-G3	17,376	133	B5-U0-G3	
	AM		17,267	133	B1-U0-G2	17,772	136	B1-U0-G2	17,859	137	B1-U0-G2	
	WF		17,821	137	B4-U0-G1	18,343	141	B4-U0-G1	18,432	141	B4-U0-G1	
	LC/RC		14,539	112	B2-U0-G4	14,964	115	B2-U0-G4	15,037	115	B2-U0-G4	



Date: 10/17/2024

Project:  
MARTIN STREET BUS  
TERMINAL

Description:  
VALS-15L-4W-UNV-50K7-BLK-SA-IS

Line Item#: 9  
Go to Bill of Materials

Type: D  
Powered by 4submittal.com

# V-Locity Small (VALS) Outdoor LED Area Light

Type : \_\_\_\_\_

Have questions? Call us at (800) 436-7800

## PERFORMANCE

[Back to Quick Links](#)

Delivered Lumens (80 CRI)									
Lumen Package	Distribution	CRI	4000K CCT / 80 CRI			5000K CCT / 80 CRI			Wattage
			Delivered Lumens	Efficacy	BUG Rating	Delivered Lumens	Efficacy	BUG Rating	
15L	2	80	12,937	143	B2-U0-G4	13,212	146	B2-U0-G4	91
	3M		12,337	136	B1-U0-G3	12,600	139	B1-U0-G3	
	3W		11,692	129	B2-U0-G4	11,941	132	B2-U0-G4	
	4M		12,547	138	B1-U0-G3	12,814	141	B1-U0-G3	
	4F		11,926	132	B1-U0-G4	12,180	134	B1-U0-G4	
	4W		10,926	121	B1-U0-G4	11,158	123	B1-U0-G4	
	FTM		12,031	133	B1-U0-G3	12,287	136	B1-U0-G3	
	5QN		13,683	151	B3-U0-G1	13,974	154	B3-U0-G1	
	5QM		13,947	154	B4-U0-G2	14,244	157	B4-U0-G2	
	5Q		13,439	148	B4-U0-G2	13,725	151	B4-U0-G2	
	5QW		13,054	144	B4-U0-G2	13,332	147	B4-U0-G2	
	AM		13,417	148	B1-U0-G2	13,702	151	B1-U0-G2	
	WF		13,848	153	B3-U0-G1	14,142	156	B3-U0-G1	
	LC/RC		11,297	125	B2-U0-G4	11,537	127	B2-U0-G4	
18L	2	80	15,656	141	B2-U0-G4	15,988	144	B2-U0-G4	111
	3M		14,930	135	B1-U0-G3	15,248	137	B1-U0-G3	
	3W		14,150	128	B2-U0-G5	14,451	130	B2-U0-G5	
	4M		15,184	137	B1-U0-G4	15,507	140	B1-U0-G4	
	4F		14,433	130	B2-U0-G5	14,740	133	B2-U0-G5	
	4W		13,222	119	B1-U0-G4	13,503	122	B1-U0-G4	
	FTM		14,559	131	B1-U0-G3	14,869	134	B1-U0-G3	
	5QN		16,559	149	B3-U0-G2	16,911	152	B3-U0-G2	
	5QM		16,878	152	B4-U0-G2	17,237	155	B4-U0-G2	
	5Q		16,264	147	B4-U0-G2	16,609	150	B4-U0-G2	
	5QW		15,798	142	B4-U0-G3	16,133	145	B4-U0-G3	
	AM		16,237	146	B1-U0-G2	16,582	149	B1-U0-G2	
	WF		16,758	151	B4-U0-G1	17,114	154	B4-U0-G1	
	LC/RC		13,672	123	B2-U0-G4	13,962	126	B2-U0-G4	
21L	2	80	17,943	138	B3-U0-G4	18,324	141	B3-U0-G4	130
	3M		17,112	131	B2-U0-G4	17,475	134	B2-U0-G4	
	3W		16,217	124	B2-U0-G5	16,562	127	B2-U0-G5	
	4M		17,402	134	B1-U0-G4	17,772	136	B1-U0-G4	
	4F		16,541	127	B2-U0-G5	16,893	130	B2-U0-G5	
	4W		15,154	116	B2-U0-G4	15,476	119	B2-U0-G4	
	FTM		16,686	128	B1-U0-G3	17,041	131	B1-U0-G3	
	5QN		18,978	146	B3-U0-G2	19,381	149	B3-U0-G2	
	5QM		19,344	148	B4-U0-G2	19,755	152	B4-U0-G2	
	5Q		18,639	143	B4-U0-G2	19,036	146	B4-U0-G2	
	5QW		18,106	139	B5-U0-G3	18,490	142	B5-U0-G3	
	AM		18,609	143	B1-U0-G2	19,005	146	B1-U0-G2	
	WF		19,206	147	B4-U0-G1	19,615	151	B4-U0-G1	
	LC/RC		15,669	120	B2-U0-G4	16,002	123	B2-U0-G4	



Date: 10/17/2024

Project:  
MARTIN STREET BUS  
TERMINAL

Description:  
VALS-15L-4W-UNV-50K7-BLK-SA-IS

Line Item#: 9  
Go to Bill of Materials

Type: D  
Powered by 4submittal.com

# V-Locity Small (VALS) Outdoor LED Area Light

Type : \_\_\_\_\_

Have questions? Call us at (800) 436-7800

## PERFORMANCE

[Back to Quick Links](#)

Delivered Lumens (80 CRI)												
Lumen Package	Distribution	CRI	2700K CCT / 80 CRI			3000K CCT / 80 CRI			3500K CCT / 80 CRI			Wattage
			Delivered Lumens	Efficacy	BUG Rating	Delivered Lumens	Efficacy	BUG Rating	Delivered Lumens	Efficacy	BUG Rating	
24L	2	80	19,223	124	B3-U0-G5	19,785	127	B3-U0-G5	19,882	128	B3-U0-G5	155
	3M		18,332	118	B2-U0-G4	18,869	122	B2-U0-G4	18,961	122	B2-U0-G4	
	3W		17,374	112	B3-U0-G5	17,882	115	B3-U0-G5	17,970	116	B3-U0-G5	
	4M		18,644	120	B1-U0-G4	19,189	124	B1-U0-G4	19,283	124	B1-U0-G4	
	4F		17,721	114	B2-U0-G5	18,240	117	B2-U0-G5	18,329	118	B2-U0-G5	
	4W		16,235	105	B2-U0-G5	16,710	108	B2-U0-G5	16,792	108	B2-U0-G5	
	FTM		17,877	115	B1-U0-G3	18,400	119	B1-U0-G3	18,489	119	B1-U0-G3	
	5QN		20,332	131	B4-U0-G2	20,927	135	B4-U0-G2	21,029	135	B4-U0-G2	
	5QM		20,724	133	B4-U0-G2	21,331	137	B5-U0-G3	21,435	138	B5-U0-G3	
	5Q		19,969	129	B5-U0-G3	20,554	132	B5-U0-G3	20,654	133	B5-U0-G3	
	5QW		19,397	125	B5-U0-G3	19,965	129	B5-U0-G3	20,062	129	B5-U0-G3	
	AM		19,936	128	B1-U0-G2	20,520	132	B1-U0-G2	20,620	133	B1-U0-G2	
	WF		20,576	133	B4-U0-G1	21,178	136	B4-U0-G1	21,282	137	B4-U0-G1	
LC/RC	16,787	108	B2-U0-G5	17,278	111	B3-U0-G5	17,362	112	B3-U0-G5			
27L	2	80	21,455	121	B3-U0-G5	22,083	124	B3-U0-G5	22,191	125	B3-U0-G5	178
	3M		20,461	116	B2-U0-G4	21,060	119	B2-U0-G4	21,163	120	B2-U0-G4	
	3W		19,392	110	B3-U0-G5	19,959	113	B3-U0-G5	20,057	113	B3-U0-G5	
	4M		20,809	117	B1-U0-G4	21,418	121	B1-U0-G4	21,522	121	B1-U0-G4	
	4F		19,779	111	B2-U0-G5	20,358	115	B2-U0-G5	20,458	115	B2-U0-G5	
	4W		18,121	103	B2-U0-G5	18,651	106	B2-U0-G5	18,742	106	B2-U0-G5	
	FTM		19,953	113	B1-U0-G4	20,537	116	B1-U0-G4	20,637	117	B1-U0-G4	
	5QN		22,693	128	B4-U0-G2	23,357	132	B4-U0-G2	23,471	133	B4-U0-G2	
	5QM		23,131	130	B5-U0-G3	23,808	134	B5-U0-G3	23,924	135	B5-U0-G3	
	5Q		22,288	126	B5-U0-G3	22,941	130	B5-U0-G3	23,053	130	B5-U0-G3	
	5QW		21,650	122	B5-U0-G3	22,284	126	B5-U0-G3	22,392	127	B5-U0-G3	
	AM		22,252	126	B1-U0-G2	22,903	130	B1-U0-G2	23,015	130	B1-U0-G2	
	WF		22,966	129	B4-U0-G1	23,638	133	B4-U0-G1	23,753	134	B4-U0-G1	
LC/RC	18,736	106	B3-U0-G5	19,285	109	B3-U0-G5	19,379	110	B3-U0-G5			



Date: 10/17/2024

Project:  
MARTIN STREET BUS  
TERMINAL

Description:  
VALS-15L-4W-UNV-50K7-BLK-SA-IS

Line Item#: 9  
Go to Bill of Materials

Type: D  
Powered by 4submittal.com

# V-Locity Small (VALS) Outdoor LED Area Light

Type : \_\_\_\_\_

Have questions? Call us at (800) 436-7800

## PERFORMANCE

[Back to Quick Links](#)

Delivered Lumens (80 CRI)									
Lumen Package	Distribution	CRI	4000K CCT / 80 CRI			5000K CCT / 80 CRI			Wattage
			Delivered Lumens	Efficacy	BUG Rating	Delivered Lumens	Efficacy	BUG Rating	
24L	2	80	20,717	133	B3-U0-G5	21,157	136	B3-U0-G5	155
	3M		19,757	127	B2-U0-G4	20,177	130	B2-U0-G4	
	3W		18,724	121	B3-U0-G5	19,122	123	B3-U0-G5	
	4M		20,093	129	B1-U0-G4	20,520	132	B1-U0-G4	
	4F		19,099	123	B2-U0-G5	19,505	126	B2-U0-G5	
	4W		17,497	113	B2-U0-G5	17,869	115	B2-U0-G5	
	FTM		19,266	124	B1-U0-G3	19,676	127	B1-U0-G3	
	50N		21,912	141	B4-U0-G2	22,378	144	B4-U0-G2	
	50M		22,335	144	B5-U0-G3	22,810	147	B5-U0-G3	
	5Q		21,521	139	B5-U0-G3	21,979	142	B5-U0-G3	
	50W		20,905	135	B5-U0-G3	21,349	138	B5-U0-G3	
	AM		21,486	138	B1-U0-G2	21,943	141	B1-U0-G2	
	WF		22,176	143	B4-U0-G1	22,647	146	B4-U0-G1	
LC/RC	18,091	117	B3-U0-G5	18,476	119	B3-U0-G5			
27L	2	80	23,123	130	B3-U0-G5	23,615	133	B3-U0-G5	178
	3M		22,052	125	B2-U0-G4	22,521	127	B2-U0-G4	
	3W		20,899	118	B3-U0-G5	21,343	121	B3-U0-G5	
	4M		22,427	126	B1-U0-G5	22,903	129	B1-U0-G5	
	4F		21,317	120	B2-U0-G5	21,770	123	B2-U0-G5	
	4W		19,529	111	B2-U0-G5	19,944	113	B2-U0-G5	
	FTM		21,504	122	B1-U0-G4	21,961	124	B1-U0-G4	
	50N		24,457	138	B4-U0-G2	24,977	141	B4-U0-G2	
	50M		24,929	140	B5-U0-G3	25,459	143	B5-U0-G3	
	5Q		24,021	136	B5-U0-G3	24,532	138	B5-U0-G3	
	50W		23,333	132	B5-U0-G3	23,829	135	B5-U0-G3	
	AM		23,982	136	B1-U0-G2	24,491	138	B1-U0-G2	
	WF		24,751	139	B4-U0-G1	25,277	142	B4-U0-G1	
LC/RC	20,193	115	B3-U0-G5	20,622	117	B3-U0-G5			

Electrical Data (Amps) <sup>1</sup>							
Lumen Package	120V	208V	240V	277V	347V	480V	Wattage
6L	0.30	0.17	0.15	0.13	0.10	0.08	36
9L	0.45	0.26	0.23	0.19	0.16	0.11	54
12L	0.62	0.36	0.31	0.27	0.21	0.15	74
15L	0.76	0.44	0.38	0.33	0.26	0.19	91
18L	0.93	0.53	0.46	0.40	0.32	0.23	111
21L	1.08	0.63	0.54	0.47	0.37	0.27	130
24L	1.29	0.75	0.65	0.56	0.45	0.32	155
27L	1.46	0.84	0.73	0.63	0.50	0.36	175

Recommended Lumen Maintenance					
Ambient Temp	Lumen Multiplier				
	0 hrs. <sup>2</sup>	25K hrs. <sup>2</sup>	50K hrs. <sup>2</sup>	75K hrs. <sup>3</sup>	100K hrs. <sup>3</sup>
50 C	100%	94%	88%	83%	78%

1 Lumen maintenance values at 40C are calculated per TM-21 based on LM-80 data and in-situ testing.  
 2 In accordance with IESNA TM-21-11, Projected Values represent interpolated value based on time durations that are within six times the IESNA LM-80-08 total test duration for the device under testing.  
 3 In accordance with IESNA TM-21-11, Calculated Values represent time durations that exceed six times the IESNA LM-80-08 total test duration for the device under testing.

## V-Locity Small (VALS) Outdoor LED Area Light

Type: \_\_\_\_\_

Have questions? Call us at (800) 436-7800

### PHOTOMETRICS

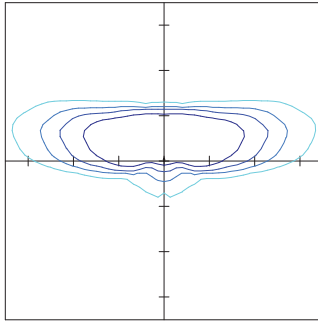
[Back to Quick Links](#)

Luminaire photometry has been conducted by a NVLAP accredited testing laboratory in accordance with IESNA LM-79-08. As specified by IESNA LM-79-08 the entire luminaire is tested as the source resulting in a luminaire efficiency of 100%.

See the individual product page on <https://www.lsicorp.com/> for detailed photometric data.

#### VALS 18L 2 40K8

V-LOCITY Area Small, 18,000lm, Type 2 Distribution

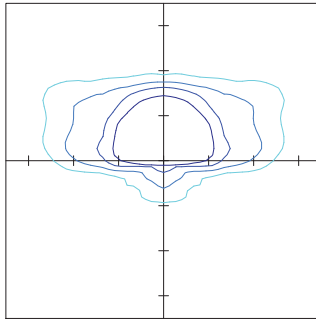


20' Mounting Height / 30' Grid Spacing  
■ 2 FC ■ 1 FC ■ 0.5 FC ■ 0.2 FC

Shielding	No Shield	W/Shield
IES Type	III Medium	III Medium
BUG Rating	B2-U0-G4	B1-U0-G3
Street Side Lumen %	87.3%	96.1%
House Side Lumen %	12.7%	3.9%
Uplight %	0.0%	0.0%

#### VALS 18L 3M 40K8

V-LOCITY Area Small, 18,000lm, Type 3 Medium Distribution

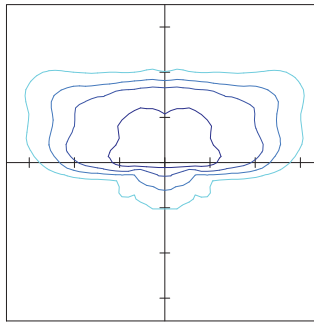


20' Mounting Height / 30' Grid Spacing  
■ 2 FC ■ 1 FC ■ 0.5 FC ■ 0.2 FC

Shielding	No Shield	W/Shield
IES Type	III Very Short	III Very Short
BUG Rating	B1-U0-G3	B1-U0-G3
Street Side Lumen %	93.4%	97.2%
House Side Lumen %	8.6%	2.8%
Uplight %	0.0%	0.0%

#### VALS 18L 3W 40K8

V-LOCITY Area Small, 18,000lm, Type 3 Wide Distribution

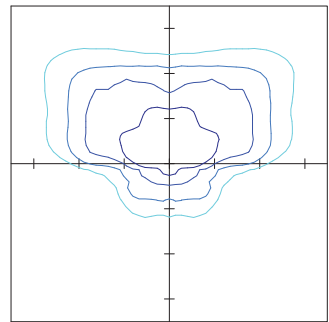


20' Mounting Height / 30' Grid Spacing  
■ 2 FC ■ 1 FC ■ 0.5 FC ■ 0.2 FC

Shielding	No Shield	W/Shield
IES Type	IV Medium	IV Medium
BUG Rating	B2-U0-G5	B1-U0-G4
Street Side Lumen %	86.9%	94.0%
House Side Lumen %	13.1%	6.0%
Uplight %	0.0%	0.0%

#### VALS 18L 4W 40K8

V-LOCITY Area Small, 18,000lm, Type 4 Wide Distribution

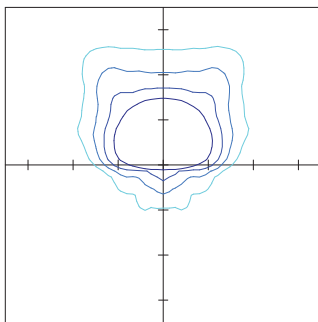


20' Mounting Height / 30' Grid Spacing  
■ 2 FC ■ 1 FC ■ 0.5 FC ■ 0.2 FC

Shielding	No Shield	W/Shield
IES Type	IV Medium	IV Medium
BUG Rating	B1-U0-G4	B0-U0-G3
Street Side Lumen %	89.9%	94.0%
House Side Lumen %	10.1%	3.5%
Uplight %	0.0%	0.0%

#### VALS 18L 4M 40K8

V-LOCITY Area Small, 18,000lm, Type 4 Medium Distribution

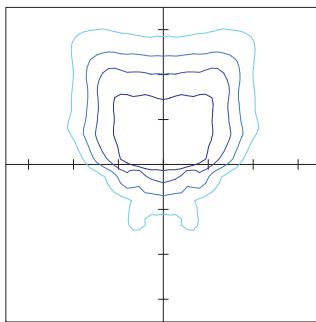


20' Mounting Height / 30' Grid Spacing  
■ 2 FC ■ 1 FC ■ 0.5 FC ■ 0.2 FC

Shielding	No Shield	W/Shield
IES Type	IV Very Short	III Very Short
BUG Rating	B1-U0-G4	B0-U0-G2
Street Side Lumen %	92.9%	99.0%
House Side Lumen %	7.1%	1.0%
Uplight %	0.0%	0.0%

#### VALS 18L 4F 40K8

V-LOCITY Area Small, 18,000lm, Type 4 Forward Distribution

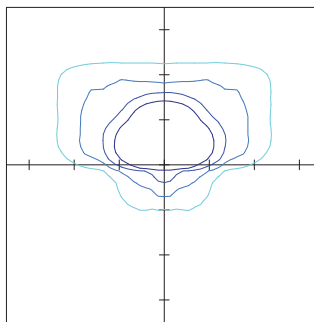


20' Mounting Height / 30' Grid Spacing  
■ 2 FC ■ 1 FC ■ 0.5 FC ■ 0.2 FC

Shielding	No Shield	W/Shield
IES Type	IV Short	IV Short
BUG Rating	B2-U0-G5	B0-U0-G3
Street Side Lumen %	89.7%	98.3%
House Side Lumen %	10.3%	1.7%
Uplight %	0.0%	0.0%

#### VALS 18L FTM 40K8

V-LOCITY Area Small, 18,000lm, Forward Throw Medium Distribution

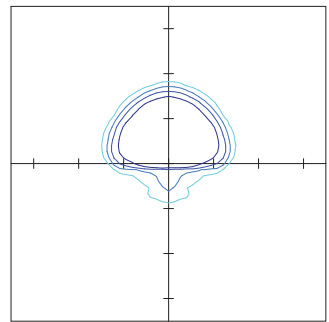


20' Mounting Height / 30' Grid Spacing  
■ 2 FC ■ 1 FC ■ 0.5 FC ■ 0.2 FC

Shielding	No Shield	W/Shield
IES Type	III Very Short	III Very Short
BUG Rating	B1-U0-G3	B0-U0-G3
Street Side Lumen %	93.0%	98.4%
House Side Lumen %	7.0%	1.6%
Uplight %	0.0%	0.0%

#### VALS 18L AM 40K8

V-LOCITY Area Small, 18,000lm, Automotive Merchandise Distribution



20' Mounting Height / 30' Grid Spacing  
■ 2 FC ■ 1 FC ■ 0.5 FC ■ 0.2 FC

Shielding	No Shield	W/Shield
IES Type	III Very Short	III Very Short
BUG Rating	B1-U0-G2	B0-U0-G2
Street Side Lumen %	95.3%	99.3%
House Side Lumen %	4.7%	0.7%
Uplight %	0.0%	0.0%

## V-Locity Small (VALS) Outdoor LED Area Light

Type : \_\_\_\_\_

Have questions? Call us at (800) 436-7800

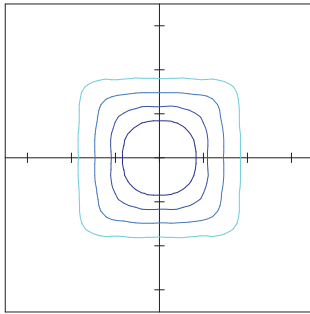
### PHOTOMETRICS (CONTINUED)

Luminaire photometry has been conducted by a NVLAP accredited testing laboratory in accordance with IESNA LM-79-08. As specified by IESNA LM-79-08 the entire luminaire is tested as the source resulting in a luminaire efficiency of 100%.

See the individual product page on <https://www.lsicorp.com/> for detailed photometric data.

#### VALS 18L 5QN 40K8

V-LOCITY Area Small, 18,000lm, Type 5  
Square Narrow Distribution

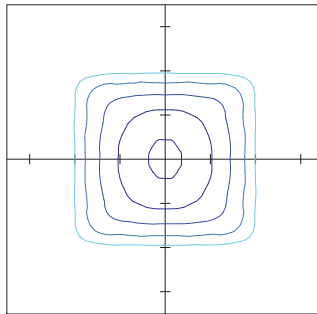


20' Mounting Height / 30' Grid Spacing  
 2 FC
  1 FC
  0.5 FC
  0.2 FC

IES Type	VS Very Short
BUG Rating	B3-U0-G2
0 - 60° Zonal Lumens	73.8%
60 - 90° Zonal Lumens	26.2%
Uplight %	0.0%

#### VALS 18L 5QM 40K8

V-LOCITY Area Small, 18,000lm, Type 5  
Square Medium Distribution

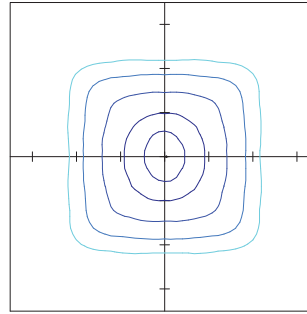


20' Mounting Height / 30' Grid Spacing  
 2 FC
  1 FC
  0.5 FC
  0.2 FC

IES Type	VS Short
BUG Rating	B4-U0-G2
0 - 60° Zonal Lumens	51.0%
60 - 90° Zonal Lumens	49.0%
Uplight %	0.0%

#### VALS 18L 5Q 40K8

V-LOCITY Area Small, 18,000lm, Type 5  
Square Distribution

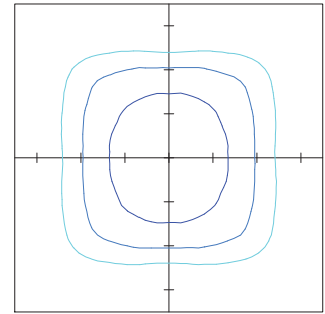


20' Mounting Height / 30' Grid Spacing  
 2 FC
  1 FC
  0.5 FC
  0.2 FC

IES Type	VS Medium
BUG Rating	B5-U0-G3
0 - 60° Zonal Lumens	41.8%
60 - 90° Zonal Lumens	58.2%
Uplight %	0.0%

#### VALS 18L 5QW 40K8

V-LOCITY Area Small, 18,000lm, Type 5  
Square Wide Distribution

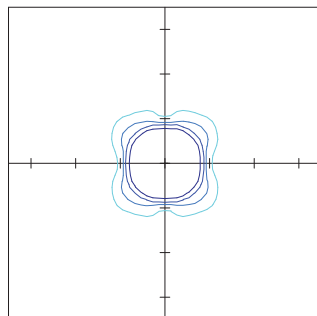


20' Mounting Height / 30' Grid Spacing  
 2 FC
  1 FC
  0.5 FC
  0.2 FC

IES Type	VS Medium
BUG Rating	B5-U0-G3
0 - 60° Zonal Lumens	33.7%
60 - 90° Zonal Lumens	66.3%
Uplight %	0.0%

#### VALS 18L WF 40K8

V-LOCITY Area Small, 18,000lm, Wide Flood  
Distribution

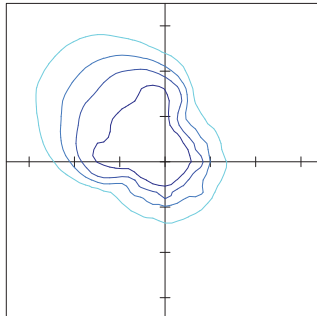


20' Mounting Height / 30' Grid Spacing  
 2 FC
  1 FC
  0.5 FC
  0.2 FC

NEMA Type	6x6
Max Candela	9,352
Max Candela Angle	-19.5H x -29V
Beam Angle	80.7 x 90.0°
Field Angle	109.9 x 117.7°

#### VALS 18L LC 40K8

V-LOCITY Area Small, 18,000lm, Left Corner  
Distribution

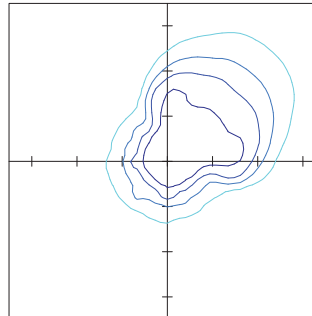


20' Mounting Height / 30' Grid Spacing  
 2 FC
  1 FC
  0.5 FC
  0.2 FC

Shielding	No Shield	W/Shield
IES Type	N/A	N/A
BUG Rating	B2-U0-G4	B1-U0-G3
Street Side Lumen %	75.9%	91.9%
House Side Lumen %	24.1%	8.1%
Uplight %	0.0%	0.0%

#### VALS 18L RC 40K8

V-LOCITY Area Small, 18,000lm, Right Corner  
Distribution



20' Mounting Height / 30' Grid Spacing  
 2 FC
  1 FC
  0.5 FC
  0.2 FC

Shielding	No Shield	W/Shield
IES Type	N/A	N/A
BUG Rating	B2-U0-G4	B1-U0-G3
Street Side Lumen %	75.9%	91.9%
House Side Lumen %	24.1%	8.1%
Uplight %	0.0%	0.0%



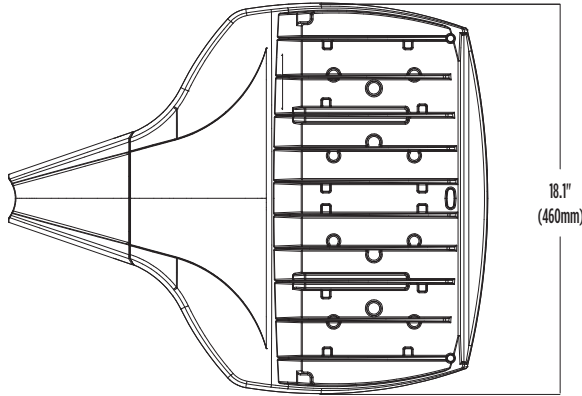
## V-Locity Small (VALS) Outdoor LED Area Light

Type : \_\_\_\_\_

**Have questions?** Call us at (800) 436-7800

### PRODUCT DIMENSIONS

[Back to Quick Links](#)



Luminaire EPA Chart - SA Side Arm

Tilt Degree	0°
Single	0.7
D180°	1.3
D90°	1.0
T90°	1.4
TN120°	1.5
Q90°	1.4

Luminaire EPA Chart - UA Universal Adjustable Arm

Tilt Degree	0°	15°	30°	45°	60°
Single	0.8	0.8	1.3	1.8	2.1
D180°	1.5	1.9	2.5	3.2	3.8
D90°	1.5	1.9	2.5	3.2	3.8
T90°	1.8	2.1	2.7	3.2	3.8
TN120°	1.8	2.3	3.4	4.3	5.0
Q90°	1.8	2.1	2.7	3.2	3.8

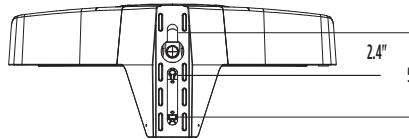
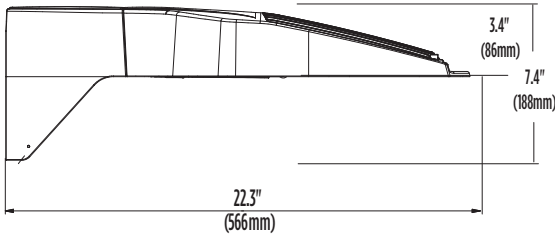
Luminaire EPA Chart - MA Mast Arm

Tilt Degree	0°
Single	0.5

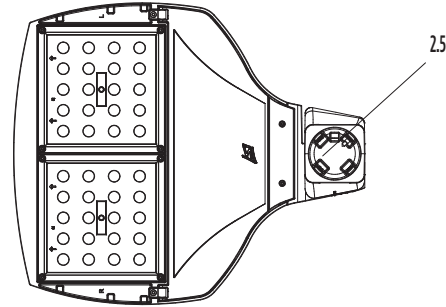
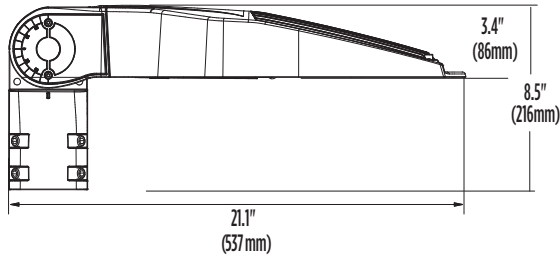
Luminaire EPA Chart - SF Adjustable Slip Fitter

Tilt Degree	0°	15°	30°	45°	60°
Single	0.7	1.3	1.4	1.8	2.2

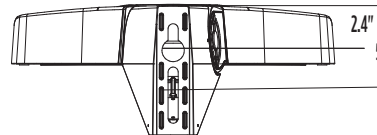
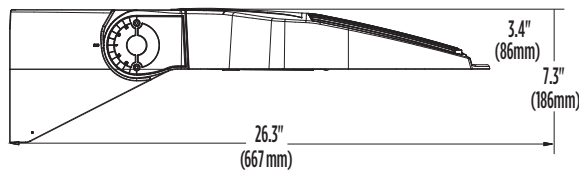
SA Universal Side Arm Mount



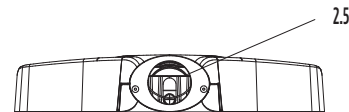
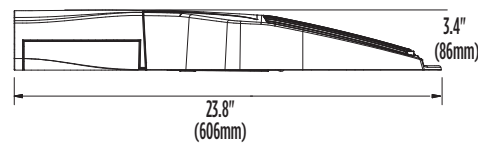
SF Adjustable Slipfitter



UA Universal Adjustable Arm



MA Mast Arm



## V-Locity Small (VALS) Outdoor LED Area Light

Type : \_\_\_\_\_

**Have questions?** Call us at (800) 436-7800

### CONTROLS

[Back to Quick Links](#)

#### Integral Bluetooth™ Motion and Photocell Sensor (IMSBTxL)

Slim low profile sensor provides multi-level control based on motion and/or daylight. Sensor controls 0-10 VDC LED drivers and is IP66 rated for cold and wet locations (-40°F to 167°F). Two unique PIR lenses are available and used based on fixture mounting height. All control parameters are adjustable via an iOS or Android App capable of storing and transmitting sensor profiles.

Click here to learn more details about IMSBT



LEVITON App



Apple



Android

#### AirLink Blue (ALBMRxLR, ALBCSx)

Wireless Bluetooth Mesh Outdoor Lighting Control System that provides energy savings, code compliance and enhanced safety/security for parking lots and parking garages. Three key components; Bluetooth wireless radio/sensor controller, Time Keeper and an iOS App. Capable of grouping multiple fixtures and sensors as well as scheduling time-based events by zone. Radio/Sensor Controller is factory integrated into Area/ Site, Wall Mounted, Parking Garage and Canopy luminaires.

Click here to learn more details about AirLink Blue



AirLink Blue App



Apple

#### Sensor Sequence of Operations

Standard Programming	On Event	Off Event	On Light Level	Dim Light Level	Daylight Harvesting	Delay To Off	Sensitivity
OMSBTxL/IMSBTxL	Motion	No Motion	100%	N/A	On; Auto Calibration	20 minutes	High
OMS	Motion	No Motion	N/A	N/A	N/A	30 seconds	Auto

Operation	Description
On Event	Trigger that activates lights to turn on; either automatic via motion detected or manually activated via push of button.
Off Event	Trigger that activates lights to turn off; either automatic via no motion detected or manually activated via push of button.
On Light Level	The light level that the fixtures will turn on to when ON EVENT occurs.
Dim Light Level	The light level that the fixtures will dim down to when no motion is detected.
Delay to Dim	The amount of time after which no motion is detected that the fixtures will be triggered to dim down. This sequence is optional, and sensor can be programmed to only trigger the fixture to turn off by entering 100% in this field.
Delay to Off	The amount of time after which no motion is detected that the fixtures will be triggered to turn off. If delay to dim is part of the programmed functionality, this is the amount of time after which no motion is detected after the fixture have already dimmed down.
Sensitivity	The sensitivity can be set to high, medium, low, or auto where applicable. High will detect smaller, simple motions. Low will only detect larger more complex motions. Auto temperature calibration adjusts the PIR sensitivity as ambient temperature rises to increase detection of heat movement through the field of view.



Catalog #: \_\_\_\_\_ Project: \_\_\_\_\_ Type: \_\_\_\_\_  
Prepared By: \_\_\_\_\_ Date: \_\_\_\_\_

## Steel Poles

### Square Straight



#### QUICK LINKS

[Ordering Guide](#)

[Configurations](#)

[Dimensions](#)

[EPA](#)

#### FEATURES & SPECIFICATIONS

##### Pole Shaft

- Straight poles are 4", 5", or 6" square.
- Pole shaft is electro-welded ASTM-A500 Grade C steel tubing with a minimum yield strength of 50,000 psi.
- On Tenon Mount steel poles, tenon is 2-3/8" O.D. high-strength pipe. Tenon is 4-3/4" in length.

##### Hand-Hole

- Standard hand-hole location is 12" above pole base.
- Poles 22' and above have a 3x6 reinforced hand hole.

##### Base

- Pole base is ASTM-A36 hot-rolled steel plate with a minimum yield strength of 36,000 psi.
- Two-piece square base cover is optional.

##### Anchor Bolts

- Poles are furnished with anchor bolts featuring zinc-plated double nuts and washers. Galvanized anchor bolts are optional.
- Anchor Bolts conform to ASTM F 1554-07a Grade 55 with a minimum yield strength of 55,000 PSI.

##### Ground Lug

- Ground lug is standard.

##### Duplex Receptacle

- Weatherproof duplex receptacle is optional.

##### Ground Fault Circuit Interrupter

- Self-testing Ground fault circuit interrupter is optional.

##### Finishes

- Every pole is provided with the DuraGrip Protection System and a 5-year limited warranty:
- When the top-of-the line DuraGrip Plus Protection System is selected, in addition to the DuraGrip Protection System, a non-porous, automotive-grade corrosion coating is applied to the lower portion of the pole interior sealing and further protecting it from corrosion. This option extends the limited warranty to 7 years.

##### Determining The Luminaire/Pole Combination For Your Application:

- Select luminaire from luminaire ordering information.
- Select bracket configuration if required
- Determine EPA value from luminaire/bracket EPA chart

- Select Pole Height

- Select MPH to match wind speed in the application area (See windspeed maps).

- Confirm pole EPA equal to or exceeding value of luminaire/bracket EPA

- Consult factory for special wind load requirements and banner brackets.

##### Pole Vibration Damper

- A pole vibration damper is recommended in open terrain areas of the country where low steady state winds are common.

- Non-tapered poles and lightly loaded poles are more susceptible to destructive vibration if a damper is not installed.

##### Listings

- UL Listed
- BAA/TAA Compliant

## Steel Poles Square Straight

Type : \_\_\_\_\_

Have questions? Call us at (800) 436-7800

### ORDERING GUIDE

[Back to Quick Links](#)

TYPICAL ORDER EXAMPLE: 4SQ B3 S11G 24 S PLP DGP						
Pole Series	Mounting Method	Material	Height <sup>2</sup>	Mounting Configuration	Pole Finish	Options
<b>4SQ</b> - 4" x 4" Square Straight Pole (New Build) <b>5SQ</b> - 5" x 5" Square Straight Pole (New Build) <b>6SQ</b> - 6" x 6" Square Straight Pole (New Build) <b>4SQU</b> - 4" x 4" Square Straight Pole (Retrofit) <b>5SQU</b> - 5" x 5" Square Straight Pole (Retrofit) <b>6SQU</b> - 6" x 6" Square Straight Pole (Retrofit)	<b>Bolt-On Mount<sup>1</sup></b> - See pole selection guide for patterns and fixture matches <b>B5</b> - 5" Traditional Drilling Pattern <b>B3</b> - 3" Reduced Pattern <b>B2</b> - 2" Low Profile Drilling Pattern <b>B2R</b> - Raised 2" Reduce Drilling Pattern ( <b>LAL4 ONLY</b> )  <b>T</b> - Tenon Mount - See pole selection guide for tenon and fixture/bracket matches  <b>I</b> - No Mounting Holes <sup>1</sup>	<b>S11G</b> - 11 Ga. Steel (4SQ/4SQU and 5SQ/5SQU Only) <b>S07G</b> - 07 Ga. Steel	8' 10' 12' 13' 14' 15' 16' 17' 17'6" 18' <b>20'</b> 22' 22'6" 23' 24' 25' 26' 27' 28' 30' 32' 35' 39'	<b>S</b> - Single/Parallel <b>D180</b> - Double <b>D90</b> - Double <b>DN90</b> - Double <b>T90</b> - Triple <b>TN120</b> - Triple <b>Q90</b> - Quad <b>QN90</b> - Quad  <b>N</b> - Tenon Mount (Standard Tenon size is 2-3/8" O.D.) <sup>8</sup> <b>(Blank)</b> - Use with I mounting Method	<b>BRZ</b> - Bronze <b>BLK</b> - Black <b>PLP</b> - Platinum Plus <b>WHT</b> - White <b>SVG</b> - Satin Verde Green <b>GPT</b> - Graphite <b>MSV</b> - Metallic Silver <b>BZA</b> - Alternate Bronze <b>GMG</b> - Gun Metal Gray	<b>GA</b> - Galvanized Anchor Bolts <b>SF</b> - Single Flood <sup>3</sup> <b>DF</b> - Double Flood <sup>3</sup> <b>DGP</b> - DuraGrip <sup>3</sup> Plus <b>LAB</b> - Less Anchor Bolts <b>CRXX</b> - Conduit Raceway <sup>4</sup>



Need more information?  
[Click here for our glossary.](#)

Have additional questions?  
Call us at (800) 436-7800



### ACCESSORY ORDERING INFORMATION

Part Number	Description
122559CLR	4BC - 4" Square Base Cover
122561CLR	5BC - 5" Square Base Cover
122563CLR	6BC - 6" Square Base Cover
132488CLR	5BC - 5" Square Universal Base Cover
131252CLR	6BC - 6" Square Universal Base Cover
122566CLR	ER2 - Weatherproof Duplex Receptacle
122567CLR	GFI - Ground Fault Circuit Interrupter
132336	MH5 - mounting Hole Plugs for use with 5" traditional drill pattern (3 set of 3 plugs)
681126	MH3 - mounting Hole Plugs for use with 3" reduced drill pattern (3 set of 3 plugs)
725841	MH2 - Mounting Hole Plugs for use with 2" reduced drill pattern (3 sets of 3 plugs)
172539	Vibration Damper - 4" Square Pole (bolt-on mount only)
172538	Vibration Damper - 5" Square Pole (bolt-on mount only)
178361	Vibration Damper - 6" Square Pole (bolt-on mount only)

### ANCHOR BOLT KIT ORDERING INFORMATION

Part Number	Description
AB KIT 122584	4SQ S11G/S07G Anchor Bolts (Steel Plated)
AB KIT 122609	4SQ S11G/S07G Anchor Bolts (Galvanized)
AB KIT 1225850	5SQ S11G Anchor Bolts (Steel Plated)
AB KIT 122610	5SQ S11G Anchor Bolts (Galvanized)
AB KIT 122586	5SQ S07G Anchor Bolts (Steel Plated)
AB KIT 122611	5SQ S07G Anchor Bolts (Galvanized)
AB KIT 122612	6SQ S07G Anchor Bolts (Galvanized)

1 - See Area Light Brackets - 3" Reduced Drill Pattern and Area Light Brackets - 5" Traditional Drill Pattern Spec Sheets.

2 - Pole heights will have +/- 1/2" tolerance.

3 - See Flood Lighting Brackets section for choice of FBO brackets.

4 - CR selection must indicate required height and side of pole mounting location. Mounting template required at time of order.



## Steel Poles Square Straight

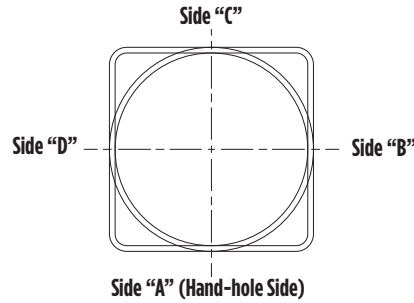
Type : \_\_\_\_\_

**Have questions?** Call us at (800) 436-7800

### DRILLING LOCATIONS

[Back to Quick Links](#)

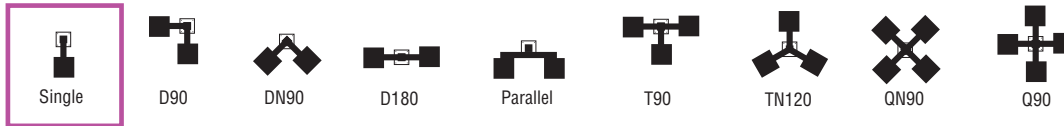
Sides	A	B	C	D
Hand-hole	X			
Single	X			
D180		X		X
D90	X			X
DN90 <sup>1</sup>				
T90	X	X		X
TN120 <sup>2</sup>				
Q90	X	X	X	X
QN90 <sup>3</sup>				
Single FBO	X			
Double FBO		X		X



- 1 - Two locations will be 45° to the left and right of Side A.
- 2 - Other two locations will be 120° to the left and right of Side A.
- 3 - Two locations will be 45° to the left and right of Side A and two locations will be 135° to the left and right of Side A.

Consult factory for custom variations. Standard SF and DF pole preparations are located 3/4 of the height of the pole from the base, except on 20' poles. Maximum height for SF and DF pole preparations on 20' poles is 13' from the base.

### FIXTURE CONFIGURATIONS



## Steel Poles Square Straight

Type : \_\_\_\_\_

Have questions? Call us at (800) 436-7800

### BOLT CIRCLE

[Back to Quick Links](#)

#### STANDARD BASEPLATE

4" (102mm) square  
10-1/8" (257mm) sq.



11" (279mm) Dia. Bolt Circle

5" (127mm) square  
10-1/8" (257mm) sq.



11" (279mm) Dia. Bolt Circle

5" (127mm) square  
10-1/8" (257mm) sq.



11" (279mm) Dia. Bolt Circle

6" (152mm) square  
12" (305mm) sq.



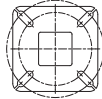
12" (305mm) Dia. Bolt Circle

Bolt Circle Designator	B	C	D	J
Bolt Circle	Slotted 8"-11" (203mm-279mm)	Slotted 9"-11" (229mm-279mm)	Slotted 9"-11" (229mm-279mm)	Slotted 12" (305mm)
Anchor Bolt Size	3/4" x 24" (19mm x 609mm)	3/4" x 24" (19mm x 609mm)	1"x30" (25mm x 762mm)	1"x30" (25mm x 762mm)
Anchor Bolt Projection	3-1/4" (83mm)	3-1/4" (83mm)	4" (102mm)	4" (102mm)
Base Plate Opening for Wireway Entry	3-5/8" (92mm)	4-3/4" (121mm)	4-5/8" (117mm)	5-5/8" (143mm)
Base Plate Dimensions	10-1/8" sq. x 3/4" thk. (257mm x 19mm)	10-1/8" sq. x 3/4" thk. (257mm x 19mm)	10-1/8" sq. x 1" thk. (257mm x 25mm)	12" sq. x 1-1/8" thk. (305mm x 29mm)
Pole Gauge	11	11	7	7

Note: Base plate illustrations may change without notice. Do not use for setting anchor bolts. Consult factory for the appropriate anchor bolt template.

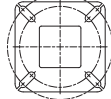
#### UNIVERSAL BASEPLATE

4" (102mm) square  
10.5" (267mm) sq.



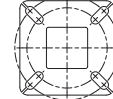
4SQ

5" (127mm) square  
11.125" (283mm) sq.



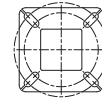
5SQ

5" (127mm) square  
11.75" (298mm) sq.



5SQ

6" (152mm) square  
12-1/2" (318mm) sq.



14" (356mm) Dia. Bolt Circle

Bolt Circle Designator	E	F	G	H
Bolt Circle	Slotted 9"-12"	Slotted 10-13"	Slotted 10-13"	Slotted 11"-14" (279mm-356mm)
Anchor Bolt Size	3/4" x 24" (19mm x 609 mm)	3/4x 24" (19mm x 609 mm)	1"x30" (25mm x 762mm)	1"x30" (25mm x 762mm)
Anchor Bolt Projection	3-1/4" (83 mm)	3-1/4" (83 mm)	4" (102 mm)	4" (102mm)
Base Plate Opening for Wireway Entry	3-5/8" (92mm)	4-3/4" (121mm)	5-1/8" (130 mm)	5-5/8" (143mm)
Base Plate Dimensions	10-1/2" sq. x 3/4" thk. (267 mm x 19 mm)	11-1/8 sq. x 3/4" thk. (283 mm x 19 mm)	11-3/4" sq. x 1" thk. (298 mm x 25 mm)	12 1/2" sq. x 1 1/8" thk. (318mm x 29mm)
Pole Gauge	11	11	7	7

Note: Base plate illustrations may change without notice. Do not use for setting anchor bolts. Consult factory for the appropriate anchor bolt template.

1 - Full Galvanized option is 1" x 30" straight headed anchor bolt. Contact factory for questions

## Steel Poles Square Straight

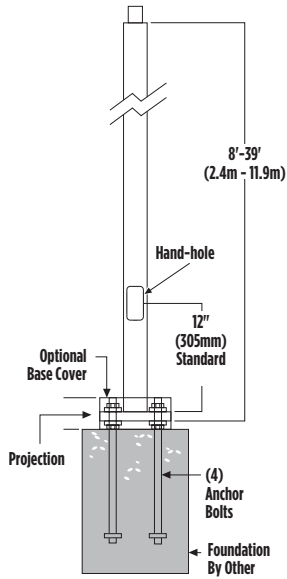
Have questions? Call us at (800) 436-7800

Type : \_\_\_\_\_

### PRODUCT DIMENSIONS

[Back to Quick Links](#)

SQT -  
N= 2-3/8" (60mm) O.D. x 4-3/4" (121mm) Tenon



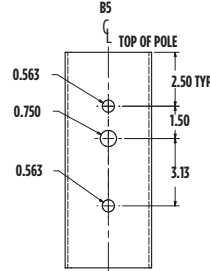
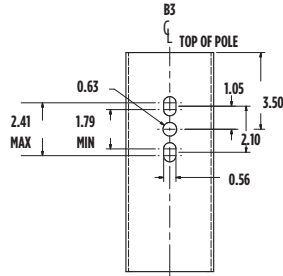
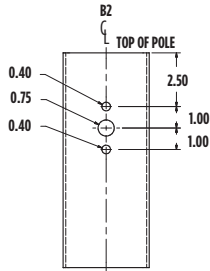
SF -  
Single Flood  
Pole Preparation



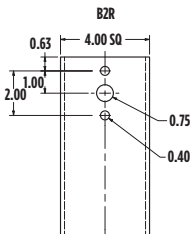
#### SHIPPING WEIGHTS

4" (102mm) sq. 11 Ga. is approximately	7.50 lbs./ft.
4" (102mm) sq. 07 Ga. is approximately	10.00 lbs./ft.
5" (127mm) sq. 11 Ga. is approximately	9.00 lbs./ft.
5" (127mm) sq. 07 Ga. is approximately	12.50 lbs./ft.
6" (152mm) sq. 07 Ga. is approximately	15.40 lbs./ft.
Anchor Bolts (3/4" x 24") (19mm x 609mm)	15 lbs. (7kg)/set
Anchor Bolts (1" x 30") (25mm x 762mm)	30 lbs. (14kg)/set

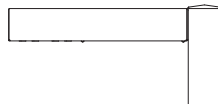
#### Bolt-On Mount 2-Bolt Pattern



ONLY FOR USE WITH LAL4 PRODUCT  
BZR- Raised 2" low profile drilling pattern



SIDE VIEW



TOP VIEW



## Steel Poles Square Straight

Type : \_\_\_\_\_

Have questions? Call us at (800) 436-7800

### WIND SPEED

[Back to Quick Links](#)

**EPA Information**

All LSI Industries' poles are guaranteed to meet the EPA requirements listed. LSI Industries is not responsible if a pole order has a lower EPA rating than the indicated wind-loading zone where the pole will be located.

CAUTION: This guarantee does not apply if the pole/bracket/fixture combination is used to support any other items such as flags, pennants, or signs, which would add stress to the pole. LSI Industries cannot accept responsibility for harm or damage caused in these situations.

NOTE: Pole calculations include a 1.3 gust factor over steady wind velocity. Example: poles designed to withstand 80 MPH steady wind will withstand gusts to 104 MPH. EPAs are for locations 100 miles away from hurricane ocean lines. Consult LSI for other areas. Note: Hurricane ocean lines are the Atlantic and Gulf of Mexico coastal areas. For applications in Florida or Canada, consult factory.

POLE <sup>2</sup>	Mtg. Height Length (ft)	Wall Thick (ga)	BOLT CIRCLE			EPA									
			Designator	Dia. (in)	Anchor bolt Dia {in}	110 MPH	115 MPH	120 MPH	130 MPH	140 MPH	150 MPH	160 MPH	170 MPH	180 MPH	
4" x 11-ga x 12'	12	11	B	8" - 11"	0.75	13.9	12.5	11.3	9.2	7.6	6.3	5.2	4.3	3.6	
4" x 11-ga x 14'	14	11	B	8" - 11"	0.75	10.7	9.5	8.5	6.8	5.4	4.4	3.5	2.7	2.1	
4" x 11-ga x 16'	16	11	B	8" - 11"	0.75	8.2	7.2	6.4	4.9	3.8	2.9	2.1	1.5	1.0	
4" x 11-ga x 18'	18	11	B	8" - 11"	0.75	6.3	5.4	4.7	3.4	2.4	1.6	1.0	0.4	n/a	
4" x 11-ga x 20'	20	11	B	8" - 11"	0.75	4.6	3.9	3.2	2.1	1.2	0.6	n/a	n/a	n/a	
4" x 11-ga x 22'	22	11	B	8" - 11"	0.75	7.6	6.6	5.7	4.2	3.0	2.0	1.2	0.5	n/a	
4" x 11-ga x 24'	24	11	B	8" - 11"	0.75	6.0	5.1	4.3	2.9	1.8	0.9	n/a	n/a	n/a	
4" x 11-ga x 26'	26	11	B	8" - 11"	0.75	4.6	3.7	3.0	1.7	0.7	n/a	n/a	n/a	n/a	
4" x 7-ga x 14'	14	7	B	8" - 11"	0.75	18.3	16.4	14.9	12.2	10.2	8.5	7.1	5.9	5.0	
4" x 7-ga x 16'	16	7	B	8" - 11"	0.75	14.7	13.2	11.8	9.6	7.8	6.3	5.2	4.2	3.4	
4" x 7-ga x 18'	18	7	B	8" - 11"	0.75	11.9	10.5	9.3	7.4	5.9	4.6	3.6	2.8	2.1	
4" x 7-ga x 20'	20	7	B	8" - 11"	0.75	9.6	8.4	7.4	5.7	4.3	3.2	2.3	1.6	0.9	
4" x 7-ga x 22'	22	7	B	8" - 11"	0.75	7.7	6.6	5.7	4.2	3.0	2.0	1.2	0.5	n/a	
4" x 7-ga x 24'	24	7	B	8" - 11"	0.75	6.0	5.1	4.3	2.9	1.8	0.9	n/a	n/a	n/a	
4" x 7-ga x 26'	26	7	B	8" - 11"	0.75	4.6	3.7	3.0	1.7	0.7	n/a	n/a	n/a	n/a	
4" x 7-ga x 28'	28	7	B	8" - 11"	0.75	3.3	2.5	1.8	0.7	n/a	n/a	n/a	n/a	n/a	
4" x 7-ga x 30'	30	7	B	8" - 11"	0.75	2.2	1.4	0.8	n/a	n/a	n/a	n/a	n/a	n/a	
5" x 11-ga x 14'	14	11	C	9" - 11"	0.75	17.4	15.7	14.1	11.5	9.3	7.7	6.3	5.2	4.2	
5" x 11-ga x 16'	16	11	C	9" - 11"	0.75	13.8	12.3	10.9	8.7	6.9	5.5	4.3	3.3	2.5	
5" x 11-ga x 18'	18	11	C	9" - 11"	0.75	10.8	9.6	8.4	6.5	4.9	3.7	2.6	1.8	1.1	
5" x 11-ga x 20'	20	11	C	9" - 11"	0.75	8.5	7.3	6.3	4.6	3.2	2.1	1.2	0.5	n/a	
5" x 11-ga x 22'	22	11	C	9" - 11"	0.75	10.9	9.5	8.3	6.2	4.5	3.2	2.1	1.2	0.5	
5" x 11-ga x 24'	24	11	C	9" - 11"	0.75	8.8	7.5	6.4	4.5	3.0	1.8	0.8	n/a	n/a	
5" x 11-ga x 26'	26	11	C	9" - 11"	0.75	6.8	5.7	4.6	3.0	1.6	0.6	n/a	n/a	n/a	
5" x 11-ga x 28'	28	11	C	9" - 11"	0.75	5.2	4.1	3.2	1.6	0.4	n/a	n/a	n/a	n/a	
5" x 11-ga x 30'	30	11	C	9" - 11"	0.75	3.6	2.7	1.8	0.4	n/a	n/a	n/a	n/a	n/a	
5" x 7-ga x 20'	20	7	D	9" - 11"	1.00	21.6	19.3	17.3	14.0	11.3	9.2	7.4	6.0	4.8	
5" x 7-ga x 22'	22	7	D	9" - 11"	1.00	20.7	18.6	16.6	13.3	10.7	8.5	6.8	5.4	4.2	
5" x 7-ga x 24'	24	7	D	9" - 11"	1.00	17.7	15.6	13.8	10.8	8.5	6.6	5.0	3.7	2.6	
5" x 7-ga x 26'	26	7	D	9" - 11"	1.00	14.9	13.1	11.4	8.8	6.6	4.9	3.5	2.3	1.3	
5" x 7-ga x 28'	28	7	D	9" - 11"	1.00	12.5	10.9	9.4	6.9	4.9	3.4	2.1	1.0	n/a	
5" x 7-ga x 30'	30	7	D	9" - 11"	1.00	10.3	8.9	7.5	5.2	3.4	2.0	0.8	n/a	n/a	
5" x 7-ga x 35'	35	7	D	9" - 11"	1.00	6.0	4.8	3.6	1.8	n/a	n/a	n/a	n/a	n/a	
6" x 7-ga x 24'	24	7	J	12"	1.00	18.6	16.4	14.3	11.2	8.6	6.5	4.8	3.4	2.2	
6" x 7-ga x 26'	26	7	J	12"	1.00	15.6	13.4	11.7	8.8	6.5	4.6	3.0	1.8	0.7	
6" x 7-ga x 28'	28	7	J	12"	1.00	12.9	10.9	9.3	6.7	4.6	2.8	1.5	n/a	n/a	
6" x 7-ga x 30'	30	7	J	12"	1.00	10.4	8.8	7.3	4.8	2.9	1.3	n/a	n/a	n/a	
6" x 7-ga x 32'	32	7	J	12"	1.00	8.3	6.8	5.5	3.1	1.3	n/a	n/a	n/a	n/a	
6" x 7-ga x 34'	34	7	J	12"	1.00	6.5	5.0	3.7	1.6	n/a	n/a	n/a	n/a	n/a	
6" x 7-ga x 35'	35	7	J	12"	1.00	5.5	4.2	2.9	0.9	n/a	n/a	n/a	n/a	n/a	
6" x 7-ga x 39'	39	7	J	12"	1.00	2.3	1.0	n/a	n/a	n/a	n/a	n/a	n/a	n/a	



## Steel Poles Square Straight

Type : \_\_\_\_\_

Have questions? Call us at (800) 436-7800

### WIND SPEED

POLE <sup>1</sup>	Mtg. Height Length (ft)	Wall Thick (ga)	BOLT CIRCLE			EPA								
			Designator	Dia. (in)	Anchor Bolt Dia (in)	110 MPH	115 MPH	120 MPH	130 MPH	140 MPH	150 MPH	160 MPH	170 MPH	180 MPH
5" x 11-ga x 14'	14	11	F	11"	0.75	17.6	15.8	14.2	11.5	9.4	7.7	6.3	5.2	4.3
5" x 11-ga x 14'	14	11	F	13"	0.75	17.6	15.8	14.2	11.5	9.4	7.7	6.3	5.2	4.3
5" x 11-ga x 16'	16	11	F	11"	0.75	13.9	12.2	11.0	8.8	7.0	5.5	4.3	3.4	2.5
5" x 11-ga x 16'	16	11	F	13"	0.75	13.9	12.2	11.0	8.8	7.0	5.5	4.3	3.4	2.5
5" x 11-ga x 18'	18	11	F	11"	0.75	11.0	9.6	8.4	6.5	5.0	3.7	2.7	1.8	1.1
5" x 11-ga x 18'	18	11	F	13"	0.75	11.0	9.6	8.4	6.5	5.0	3.7	2.7	1.8	1.1
5" x 11-ga x 20'	20	11	F	11"	0.75	8.6	7.4	6.4	4.6	3.3	2.2	1.3	0.5	-
5" x 11-ga x 20'	20	11	F	13"	0.75	8.6	7.4	6.4	4.6	3.3	2.2	1.3	0.5	-
5" x 11-ga x 22'	22	11	F	11"	0.75	12.7	11.1	9.6	7.4	5.6	4.1	3.0	2.0	1.1
5" x 11-ga x 22'	22	11	F	12"	0.75	10.3	8.9	7.7	5.7	4.1	2.8	1.8	0.9	-
5" x 11-ga x 22'	22	11	F	13"	0.75	8.6	7.4	6.4	4.6	3.1	2.0	1.1	-	-
5" x 11-ga x 24'	24	11	F	11"	0.75	10.2	8.9	7.6	5.6	4.0	2.6	1.6	0.7	-
5" x 11-ga x 24'	24	11	F	12"	0.75	8.0	6.9	5.8	4.0	2.6	1.5	0.5	-	-
5" x 11-ga x 24'	24	11	F	13"	0.75	6.7	5.5	4.6	3.0	1.7	0.7	-	-	-
5" x 11-ga x 26'	26	11	F	11"	0.75	8.1	6.9	5.8	4.0	2.5	1.3	-	-	-
5" x 11-ga x 26'	26	11	F	12"	0.75	6.2	5.1	4.1	2.6	1.3	-	-	-	-
5" x 11-ga x 26'	26	11	F	13"	0.75	5.0	4.0	3.1	1.6	0.5	-	-	-	-
5" x 11-ga x 28'	28	11	F	11"	0.75	6.3	5.2	4.3	2.5	1.1	-	-	-	-
5" x 11-ga x 28'	28	11	F	12"	0.75	4.6	3.6	2.7	1.2	-	-	-	-	-
5" x 11-ga x 28'	28	11	F	13"	0.75	3.4	2.5	1.7	-	-	-	-	-	-
5" x 11-ga x 30'	30	11	F	11"	0.75	4.7	3.7	2.8	1.2	-	-	-	-	-
5" x 11-ga x 30'	30	11	F	12"	0.75	3.1	2.2	1.4	-	-	-	-	-	-
5" x 11-ga x 30'	30	11	F	13"	0.75	2.0	1.2	0.5	-	-	-	-	-	-
5" x 7-ga x 20'	20	7	G	11"	0.75	19.0	17.0	15.0	12.2	9.7	7.8	6.2	5.0	3.8
5" x 7-ga x 20'	20	7	G	12"	0.75	21.4	19.1	17.1	13.8	11.2	9.1	7.3	5.9	4.7
5" x 7-ga x 20'	20	7	G	13"	0.75	21.4	19.2	17.2	13.9	11.3	9.2	7.4	6.0	4.8
5" x 7-ga x 20'	20	7	G	11"	1	21.7	19.4	17.4	14.0	11.4	9.3	7.5	6.0	4.8
5" x 7-ga x 20'	20	7	G	13"	1	21.7	19.4	17.4	14.0	11.4	9.3	7.5	6.0	4.8
5" x 7-ga x 22'	22	7	G	11"	0.75	16.0	14.1	12.5	9.8	7.6	5.9	4.4	3.3	2.3
5" x 7-ga x 22'	22	7	G	12"	0.75	17.7	15.9	14.2	11.2	8.7	7.0	5.4	4.1	3.0
5" x 7-ga x 22'	22	7	G	13"	0.75	19.9	17.3	15.6	12.6	10.0	8.0	6.3	5.0	3.8
5" x 7-ga x 22'	22	7	G	11"	1	21.0	18.7	16.7	13.4	10.6	8.5	6.8	5.4	4.2
5" x 7-ga x 22'	22	7	G	12"	1	23.4	20.6	18.4	15.0	12.2	9.9	8.0	6.4	5.1
5" x 7-ga x 22'	22	7	G	13"	1	21.3	18.8	17.0	13.7	11.0	8.8	7.0	5.6	4.3
5" x 7-ga x 24'	24	7	G	11"	0.75	13.3	11.6	10.0	7.7	5.7	4.2	2.9	1.9	1.0
5" x 7-ga x 24'	24	7	G	12"	0.75	15.0	13.0	11.6	8.9	6.8	5.1	3.8	2.6	1.7
5" x 7-ga x 24'	24	7	G	13"	0.75	16.6	14.6	12.9	10.2	8.0	6.1	4.6	3.3	2.3
5" x 7-ga x 24'	24	7	G	11"	1	17.5	15.7	13.9	10.9	8.6	6.7	5.0	3.7	2.7
5" x 7-ga x 24'	24	7	G	12"	1	20.0	17.4	15.4	12.3	9.9	7.8	6.0	4.7	3.5
5" x 7-ga x 24'	24	7	G	13"	1	18.1	16.0	14.2	11.0	8.7	6.7	5.3	3.9	2.8
5" x 7-ga x 26'	26	7	G	11"	0.75	10.9	9.3	8.0	5.9	4.1	2.7	1.6	0.6	-
5" x 7-ga x 26'	26	7	G	12"	0.75	12.4	10.9	9.5	7.0	5.1	3.6	2.3	1.3	-
5" x 7-ga x 26'	26	7	G	13"	0.75	14.0	12.3	10.7	8.1	6.0	4.4	3.1	2.0	1.0
5" x 7-ga x 26'	26	7	G	11"	1	15.0	13.2	11.5	8.8	6.7	4.9	3.5	2.3	1.3

## Steel Poles Square Straight

Type : \_\_\_\_\_

Have questions? Call us at (800) 436-7800

### WIND SPEED

POLE <sup>1</sup>	Mtg. Height Length (ft)	Wall Thick (ga)	BOLT CIRCLE			EPA									
			Designator	Dia. (in)	Anchor Bolt Dia (in)	110 MPH	115 MPH	120 MPH	130 MPH	140 MPH	150 MPH	160 MPH	170 MPH	180 MPH	
5" x 7-ga x 26'	26	7	G	12"	1	17.0	14.8	13.0	10.2	7.9	6.0	4.4	3.1	2.1	
5" x 7-ga x 26'	26	7	G	13"	1	15.3	13.5	11.8	9.0	6.8	5.0	3.6	2.5	1.4	
5" x 7-ga x 28'	28	7	G	11"	0.75	8.9	7.4	6.3	4.3	2.7	1.4	-	-	-	
5" x 7-ga x 28'	28	7	G	12"	0.75	10.2	8.8	7.5	5.3	3.5	2.1	1.0	-	-	
5" x 7-ga x 28'	28	7	G	13"	0.75	11.8	10.2	8.8	6.4	4.5	3.0	1.7	0.7	-	
5" x 7-ga x 28'	28	7	G	11"	1	12.5	10.9	9.5	7.0	5.0	3.3	2.1	1.0	-	
5" x 7-ga x 28'	28	7	G	12"	1	14.2	12.4	11.0	8.2	6.0	4.3	3.0	1.7	0.8	
5" x 7-ga x 28'	28	7	G	13"	1	12.9	11.0	9.7	7.2	5.2	3.6	2.2	1.1	-	
5" x 7-ga x 30'	30	7	G	11"	0.75	7.0	5.8	4.7	2.8	1.3	-	-	-	-	
5" x 7-ga x 30'	30	7	G	12"	0.75	8.4	7.0	5.8	3.8	2.2	0.9	-	-	-	
5" x 7-ga x 30'	30	7	G	13"	0.75	9.7	8.2	7.0	4.8	3.0	1.6	0.5	-	-	
5" x 7-ga x 30'	30	7	G	11"	1	10.4	8.8	7.6	5.3	3.4	2.0	0.8	-	-	
5" x 7-ga x 30'	30	7	G	12"	1	12.0	10.3	9.0	6.4	4.4	2.9	1.6	0.5	-	
5" x 7-ga x 30'	30	7	G	13"	1	10.6	9.1	7.7	5.5	3.6	2.1	1.0	-	-	
5" x 7-ga x 35'	35	7	G	11"	0.75	3.2	2.2	1.2	-	-	-	-	-	-	
5" x 7-ga x 35'	35	7	G	12"	0.75	4.4	3.2	2.2	0.5	-	-	-	-	-	
5" x 7-ga x 35'	35	7	G	13"	0.75	5.5	4.2	3.1	1.3	-	-	-	-	-	
5" x 7-ga x 35'	35	7	G	11"	1	6.0	4.8	3.6	1.8	-	-	-	-	-	
5" x 7-ga x 35'	35	7	G	12"	1	7.3	6.0	4.8	2.7	1.1	-	-	-	-	
5" x 7-ga x 35'	35	7	G	13"	1	6.3	5.0	3.8	1.9	-	-	-	-	-	
6" x 7-ga x 24'	24	7	H	11"	1	16.5	14.4	12.6	9.6	7.2	5.3	3.8	2.5	1.4	
6" x 7-ga x 24'	24	7	H	12-1/2"	1	19.8	17.5	15.4	12.0	9.2	7.0	5.3	3.8	2.7	
6" x 7-ga x 24'	24	7	H	14"	1	23.0	20.5	18.0	14.3	11.2	8.9	6.9	5.3	3.8	
6" x 7-ga x 26'	26	7	H	11"	1	13.7	11.8	10.2	7.5	5.3	3.6	2.1	1.0	-	
6" x 7-ga x 26'	26	7	H	12-1/2"	1	16.5	14.6	12.6	9.6	7.0	5.2	3.6	2.2	1.1	
6" x 7-ga x 26'	26	7	H	14"	1	19.6	17.3	15.2	11.7	8.9	6.7	5.0	3.5	2.2	
6" x 7-ga x 28'	28	7	H	11"	1	11.0	9.3	7.8	5.5	3.5	1.9	0.6	-	-	
6" x 7-ga x 28'	28	7	H	12-1/2"	1	13.8	12.0	10.2	7.5	5.2	3.4	1.9	0.7	-	
6" x 7-ga x 28'	28	7	H	14"	1	16.4	14.5	12.5	9.4	6.9	4.7	3.2	1.8	0.7	
6" x 7-ga x 30'	30	7	H	11"	1	9.0	7.3	6.0	3.6	1.9	0.5	-	-	-	
6" x 7-ga x 30'	30	7	H	12-1/2"	1	11.4	9.6	8.0	5.5	3.4	1.7	-	-	-	
6" x 7-ga x 30'	30	7	H	14"	1	14.0	12.0	10.0	7.2	5.0	3.2	1.6	-	-	
6" x 7-ga x 32'	32	7	H	11"	1	7.0	5.5	4.2	2.0	-	-	-	-	-	
6" x 7-ga x 32'	32	7	H	12-1/2"	1	9.2	7.6	6.0	3.8	1.8	-	-	-	-	
6" x 7-ga x 32'	32	7	H	14"	1	11.4	9.7	8.0	5.4	3.2	1.6	-	-	-	
6" x 7-ga x 34'	34	7	H	11"	1	5.1	3.7	2.5	0.6	-	-	-	-	-	
6" x 7-ga x 34'	34	7	H	12-1/2"	1	7.2	5.6	4.4	2.2	-	-	-	-	-	
6" x 7-ga x 34'	34	7	H	14"	1	9.3	7.6	6.2	3.6	1.7	-	-	-	-	
6" x 7-ga x 35'	35	7	H	11"	1	4.2	3.0	1.8	-	-	-	-	-	-	
6" x 7-ga x 35'	35	7	H	12-1/2"	1	6.2	4.8	3.6	1.4	-	-	-	-	-	
6" x 7-ga x 35'	35	7	H	14"	1	8.2	6.6	5.2	2.9	1.0	-	-	-	-	
6" x 7-ga x 39'	39	7	H	11"	1	1.0	-	-	-	-	-	-	-	-	
6" x 7-ga x 39'	39	7	H	12-1/2"	1	3.0	1.6	0.5	-	-	-	-	-	-	
6" x 7-ga x 39'	39	7	H	14"	1	4.6	3.3	2.0	-	-	-	-	-	-	



Catalog #: \_\_\_\_\_ Project: \_\_\_\_\_ Type: \_\_\_\_\_  
Prepared By: \_\_\_\_\_ Date: \_\_\_\_\_

## Slim Wall Pack (WPSLS)

### Small LED Slim Wall Pack



OVERVIEW	
Lumen Package (lm)	1,000 - 4,000
Wattage Range (W)	12 - 40
Efficacy Range (LPW)	98 - 122
Weight lbs (kg)	3.8 (1.7)

#### QUICK LINKS

[Ordering Guide](#)

[Performance](#)

[Photometrics](#)

[Dimensions](#)

#### FEATURES & SPECIFICATIONS

##### Construction

- Rigid Precision Die cast-aluminum housing for durability and consistency.
- Vertical fins serve as a heat sink and resist accumulation of dust and debris.
- The Patent Pending thermal stacking heat removal technology extracts heat from within the housing moving it away from LEDs and integral components.
- Luminaire hinges open from the bottom to prevent leakage.
- Luminaire is proudly manufactured and tested in the U.S.
- Fixtures are finished with LSI's DuraGrip® polyester powder coat finishing process. The DuraGrip finish withstands extreme weather changes without cracking or peeling. Other standard LSI finishes available. Consult factory.

##### Optical System

- High-performance Chip On Board (COB) LEDs behind clear tempered glass for maximum light output.
- 3000K | 4000K | 5000K color temperatures.
- Minimum CRI of 71.
- Zero uplight.

##### Electrical

- High-performance driver features over-voltage, under voltage, short-circuit and over temperature protection.
- 0-10 volt dimming (10% - 100%) standard.
- Standard Universal Voltage (120-277 Vac) Input 50/60 Hz
- L70 Calculated Life: >100k Hours
- Total harmonic distortion: <20%
- Power factor: >.85
- Input power stays constant over life.
- Driver Off-State Power is 0 watts.
- Chip On Board (COB) LEDs with integrated circuit board mounted directly to the housing to maximize heat dissipation and promote long life.
- Components are fully encased in potting material for moisture resistance. Driver complies with FCC standards. Driver and key electronic components can easily be accessed.
- Minimum 2.5kV surge rating
- Operating temperature: -40°C to +50°C (-40°F to +122°F).

##### Controls

- Optional 120V electronic button Photocontrol.
- Apertures for field or factory installed photocontrol.

##### Installation

- Surface mounts direct to J-box or wall.
- Features a bubble level and removable hinged face frame for ease of installation.

##### Warranty

- LSI luminaires carry a 5-year limited warranty. Refer to <https://www.lsicorp.com/resources/terms-conditions-warranty/> for more information.
- 1 Year warranty on optional Button Photocell.

##### Listings

- Listed to UL 1598 and UL 8750.
- American Recovery and Reinvestment Act Funding Compliant.
- CSA Listed
- RoHS Compliant.
- State of California Title 24.
- Suitable For Wet Locations.
- DesignLights Consortium® (DLC) Premium qualified product. Not all versions of this product may be DLC Premium qualified. Please check the DLC Qualified Products List at [www.designlights.org/QPL](http://www.designlights.org/QPL) to confirm which versions are qualified.



Date: 10/17/2024

Project: MARTIN STREET BUS TERMINAL

Description: WPSLS-02L-50-PCI120-BLK

Line Item#: 11  
Go to Bill of Materials

Type: W1

Powered by 4submittal.com

### Slim Wall Pack (WPSLS)

Type : \_\_\_\_\_

Have questions? Call us at (800) 436-7800

#### ORDERING GUIDE

[Back to Quick Links](#)

TYPICAL ORDER EXAMPLE: WPSLS LED 1L UNV DIM 30 PCI 120 BZA				
Prefix	Lumen Package	Color Temperature	Controls	Finish
WPSLS - Small Slim Wall Pack	1L - 1,000 2L - 2,000 4L - 4,000	50 - 5000K 40 - 4000K 30 - 3000K	PCI 120 - 120V Photocontrol PCI 208-277 - 208-277V Photocontrol	WHT - White BLK - Black BRZ - Bronze
			<a href="#">VERIFY VOLTAGE</a>	



Need more information?  
[Click here for our glossary.](#)

Have additional questions?  
Call us at (800) 436-7800



#### PERFORMANCE

[Back to Quick Links](#)

Delivered Lumens							
Lumen Package	3000K		4000K		5000K		Wattage
	Delivered Lumens	Efficacy	Delivered Lumens	Efficacy	Delivered Lumens	Efficacy	
1L	1206	97.79	1206	97.79	1366	111.11	12
2L	2125	107.2	2125	107.2	2418	121.97	20
4L	3712	100.18	3712	100.18	4394	116.21	40

LED		HID			Annual Savings
Wattage	Annual Cost	Source Wattage	Total Wattage Used	Annual Cost	
12	\$5	50	72	\$52	\$47
		70	90	\$59	\$54
20	\$9	50	72	\$52	\$43
		70	90	\$59	\$50
		100	129	\$77	\$68
40	\$18	100	129	\$77	\$59
		150	185	\$100	\$82
		175	210	\$112	\$94



## Slim Wall Pack (WPSLS)

Type : \_\_\_\_\_

Have questions? Call us at (800) 436-7800

### PHOTOMETRICS

[Back to Quick Links](#)

Luminaire photometry has been conducted by a NVLAP accredited testing laboratory in accordance with IESNA LM-79-08. As specified by IESNA LM-79-08 the entire luminaire is tested as the source resulting in a luminaire efficiency of 100%.

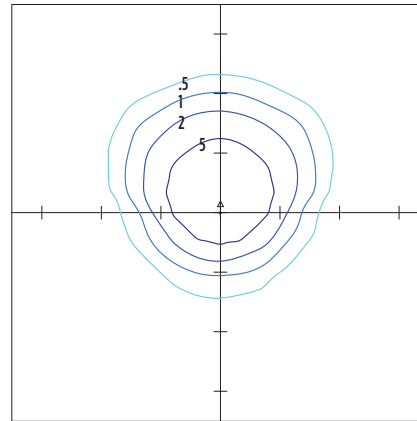
See the individual product page on <https://www.lsicorp.com/> for detailed photometric data.

#### WPSLS-4L-40

Luminaire Data	
Wide Distribution	
Description	4000 Kelvin, 70 CRI
Delivered Lumens	4,053
Watts	37.0
Efficacy	109
IES Type	Type III - Very Short
BUG Rating	B1-U0-G1

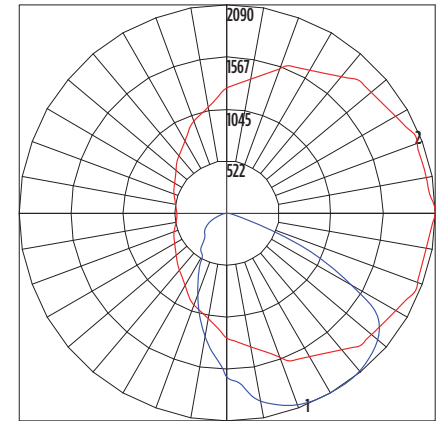
Zonal Lumen Summary		
Zone	Lumens	% Luminaire
Low (0-30°)	1239.6	30.6%
Medium (30-60°)	2246.2	55.4%
High (60-80°)	559.6	13.8%
Very High (80-90°)	7.3	0.2%
Uplight (90-180°)	0.0	0.0%
Total Flux	4052.7	100%

ISO Footcandle



10' Mounting Height / 10' Grid Spacing  
■ 10 FC ■ 5 FC ■ 2 FC ■ 1 FC

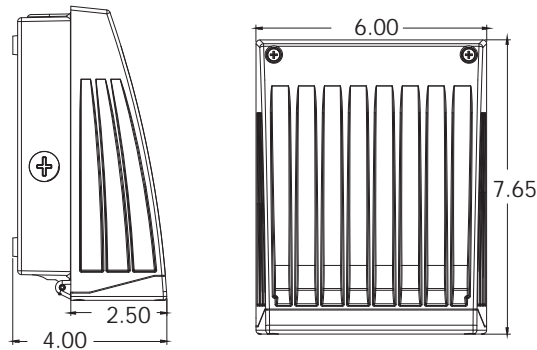
Polar Curve



■ Vertical Plane ■ Horizontal Cone

### PRODUCT DIMENSIONS

[Back to Quick Links](#)





Catalog #: \_\_\_\_\_ Project: \_\_\_\_\_ Type: \_\_\_\_\_  
Prepared By: \_\_\_\_\_ Date: \_\_\_\_\_

## Mirada Small Silicone (XWS SIL) Outdoor Wall Sconce



OVERVIEW	
Lumen Package (lm)	1,000 - 8,000
Wattage Range (W)	10 - 61
Efficacy Range (LPW)	126 - 162
Weight lbs (kg)	10 (4.5)
Control Options	IMSBT, ALB, ALS, PCI

### QUICK LINKS

[Ordering Guide](#)

[Performance](#)

[Photometrics](#)

[Dimensions](#)

### FEATURES & SPECIFICATIONS

#### Construction

- Rugged die-cast aluminum housing.
- Fixtures are finished with LSI's DuraGrip® polyester powder coat finishing process. The DuraGrip finish withstands extreme weather changes without cracking or peeling. Other standard LSI finishes available. Consult factory.
- Extended housing available with 1/2" threaded hubs for surface conduit and rated wire.
- Standard luminaire shipping weight: TBD lbs in carton.
- Max luminaire shipping weight: 12 lbs in carton (20 lbs w/EH option)

#### Optical System

- State-of-the-Art one piece silicone optic provides industry leading optical control while also acting as an integrated gasket reducing system complexity and improving fixture reliability.
- Proprietary silicone refractor optics provide exceptional coverage and uniformity in distribution types 2, 3, and FT.
- Silicone optical material does not yellow or crack with age and provides a typical light transmittance of 93%.
- Zero uplight.
- Available in 5000K, 4000K, and 3000K color temperatures per ANSI C78.377. Also available in Phosphor Converted Amber with peak intensity at 610nm.
- Minimum CRI of 70

#### Electrical

- High-performance programmable driver features over-voltage, under-voltage, short circuit and over temperature protection. Custom lumen and wattage packages available.
- 0-10V dimming (10% - 100%) standard.

- Standard Universal Voltage (120-277 VAC) Input 50/60 Hz or optional High Voltage (347-480 VAC).
- L80 Calculated Life: >100k Hours
- Total harmonic distortion (THD): <20%
- 3L to 12L operating temperature: -40°C to +50°C (-40°F to +122°F)
- 15L operating temperature: -40°C to +45°C (-40°F to +113°F).
- 18L operating temperature: -40°C to +40°C (-40°F to +104°F).
- 21L operating temperature: -40°C to +35°C (-40°F to + 95°F).
- Power factor (PF): >.90
- Input power stays constant over life.
- Optional 10kV surge protection device meets a minimum Category C Low operation (per ANSI/IEEE C62.41.2).
- High-efficacy LEDs mounted to metal-core circuit board to maximize heat dissipation
- Components are fully encased in potting material for moisture resistance. Driver complies with FCC standards. Driver and key electronic components can easily be accessed via hinged door.
- Optional integral emergency battery pack provides 90-minutes of constant power to the LED system, ensuring code compliance. A test switch/indicator button is installed on the housing for ease of maintenance. The fixture delivers 1500 lumens during emergency mode.

#### Controls

- Integral passive infrared Bluetooth™ motion sensor options. Fixtures operate independently and can be commissioned via an iOS or Android configuration app. Updates and modifications to the control strategy are easily implemented via an intuitive app.
- LSI's AirLink™ Blue lighting control system is a simple feature rich wireless Bluetooth

mesh network. The integrated fixture sensor module provides wireless control of grouped fixtures based on motion sensors, daylight or a fully customizable schedule.

#### Installation

- Universal wall mounting plate easily mounts directly to 4" octagonal or square junction box.
- 2 fasteners secure the hinged door underneath the housing and provide quick & easy access to the electrical compartment for installing/servicing.
- Optional terminal block accepts up to 12 ga wire.

#### Warranty

- LSI luminaires carry a 5-year limited warranty. Refer to <https://www.lsicorp.com/resources/terms-conditions-warranty/> for more information.

#### Listings

- Listed to UL 1598 and UL 8750.
- Meets Buy American Act requirements.
- IDA compliant; with 3000K color temperature selection.
- Title 24 Compliant; see local ordinance for qualification information.
- Suitable for wet locations.
- IP65 rated luminaire per IEC 60598-1.
- 3G rated for ANSI C136.31 high vibration applications when pole mounted (using optional XPMA bracket) or wall mounted.
- IK08 rated luminaire per IEC 66262 mechanical impact code.
- DesignLights Consortium® (DLC) Premium qualified product. Not all versions of this product may be DLC Premium qualified. Please check the DLC Qualified Products List at [www.designlights.org/QPL](http://www.designlights.org/QPL) to confirm which versions are qualified.



## Mirada Small Silicone (XWS SIL)

Type : \_\_\_\_\_

**Have questions?** Call us at (800) 436-7800

### ORDERING GUIDE

[Back to Quick Links](#)

TYPICAL ORDER EXAMPLE: XWS LED 6L SIL FT UNV DIM 40 70CRI ALBCS1 BLK CWBB						
Prefix	Light Source	Lumen Package	Lens	Distribution	Voltage	Driver
XWS - Mirada Small Wall Sconce	LED	1L - 1,000 (10w) UNV Only 2L - 2,000 (15w) 3L - 3,000 (26w) 5L - 5,000 (39w) 6L - 6,000 (52w) 8L - 8,000 (63w) Custom Lumen Packages <sup>1</sup>	SIL - Silicone	2 - Type 2 3 - Type 3 FT - Forward Throw	UNV - Universal Voltage (120-277V) HV - High Voltage (347-480V)	DIM - 0-10v Dimming (0-10%)
Color Temperature	Color Rendering	Controls			Finish	Options
50 - 5000K 40 - 4000K 30 - 3000K	70CRI - 70 CRI	Blank - None <u>Wireless Controls</u> ALBMR1LR - AirLink Blue Multi Range Wireless Motion & Photo Sensor Controller (8-15' mounting height) <sup>2</sup> ALBMR2LR - AirLink Blue Multi Range Wireless Motion & Photo Sensor Controller (16-40' mounting height) <sup>2</sup> <u>Standalone Controls</u> EXT - 0-10v Dimming leads extended to housing exterior IMSBT1L - Integral Bluetooth™ Motion Sensor 8-24' MH <sup>2,3</sup> <u>Button Type Photocells</u> PCI120 - 120V PCI208-277 - 208 -277V PCI347 - 347V			BLK - Black BRZ - Dark Bronze GMG - Gun Metal Gray GPT - Graphite MSV - Metallic Silver PLP - Platinum Plus SVG - Satin Verde Green WHT - White	Blank - None BB - 10w Battery Back-up (0°C) <sup>4</sup> CWBB - 10w Cold Weather Battery Backup (-20°C) <sup>4</sup> BB20 - 20W Battery Back-up (0°C) <sup>4</sup> EH - Extended Housing <sup>2</sup> SP1 - 10kV Surge Protection Device



**Need more information?**  
[Click here for our glossary.](#)

**Have additional questions?**  
Call us at (800) 436-7800



### ACCESSORY ORDERING INFORMATION\*

Part Number	Description
758274CLR	XWS Extended Housing/Surface Conduit Wiring Box
760159CLR	XWS Spacer Plate/Wiring Box

\*Accessories are shipped separately and field installed.

#### Battery Backup

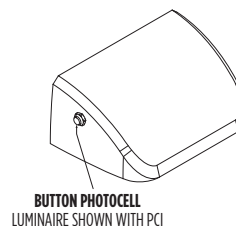
- Emergency battery system provides 90-minutes of constant power to the LED system, ensuring code compliance.
- A test switch/indicator button is installed on the housing for ease of maintenance.
- 10w battery delivers -1,500 lumens during emergency mode.
- 20w battery delivers -3,000 lumens during emergency mode.



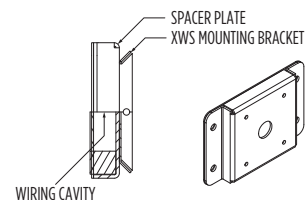
Luminaire shown with battery backup



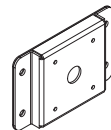
AirLink Wireless Control Luminaire shown with ALBMR1LR



BUTTON PHOTOCELL LUMINAIRE SHOWN WITH PCI



WIRING CAVITY



SPACER PLATE XWS MOUNTING BRACKET

1 Custom lumen and wattage packages available, consult factory. Values are within industry standard tolerances but not DLC listed.  
 2 When high voltage (HV) is specified, IMSBT, ALBCS ALBMRxLR control options are limited to 6L and 8L lumen packages.  
 3 IMSBTxL is field configurable via the LSI app that can be downloaded from your smartphone's native app store.  
 4 Universal Voltage Only (120-277V), 20W Battery Backup only available 1L - 6L.  
 5 For applications with surface conduit.



Date: 10/17/2024

Project:  
MARTIN STREET BUS  
TERMINAL

Description:  
XWS-LED-03L-SIL-FT-UNV-DIM-50-70CRI-BL  
K

Line Item#: 12  
Go to Bill of Materials

Type: W2

Powered by 4submittal.com

# Mirada Small Silicone (XWS SIL)

Type : \_\_\_\_\_

Have questions? Call us at (800) 436-7800

## PERFORMANCE

[Back to Quick Links](#)

Delivered Lumens <sup>1</sup>												
Lumen Package	Distribution	CRI	3000K CCT			4000K CCT			5000K CCT			Wattage
			Delivered Lumens	Efficacy	Bug Rating	Delivered Lumens	Efficacy	Bug Rating	Delivered Lumens	Efficacy	Bug Rating	
1L	2	70	1,429	143	B1-U0-G1	1,524	152	B1-U0-G1	1,526	153	B1-U0-G1	10
	3		1,491	149	B0-U0-G1	1,590	159	B0-U0-G1	1,592	159	B0-U0-G1	
	FT		1,459	146	B0-U0-G1	1,556	156	B1-U0-G1	1,557	156	B1-U0-G1	
2L	2	70	1,851	142	B1-U0-G1	1,974	152	B1-U0-G1	1,976	152	B1-U0-G1	13
	3		1,930	148	B1-U0-G1	2,058	158	B1-U0-G1	2,060	158	B1-U0-G1	
	FT		1,889	145	B1-U0-G1	2,015	155	B1-U0-G1	2,017	155	B1-U0-G1	
3L	2	70	2,765	146	B1-U0-G1	2,950	155	B1-U0-G1	2,953	155	B1-U0-G1	19
	3		2,884	152	B1-U0-G1	3,077	162	B1-U0-G1	3,079	162	B1-U0-G1	
	FT		2,822	149	B1-U0-G1	3,010	158	B1-U0-G1	3,012	159	B1-U0-G1	
5L	2	70	4,655	133	B2-U0-G1	4,965	142	B2-U0-G1	4,970	142	B2-U0-G1	35
	3		4,855	139	B1-U0-G1	5,179	148	B1-U0-G1	5,184	148	B1-U0-G1	
	FT		4,750	136	B1-U0-G2	5,067	145	B1-U0-G2	5,072	145	B1-U0-G2	
6L	2	70	5,578	130	B2-U0-G1	5,950	138	B2-U0-G2	5,956	139	B2-U0-G2	43
	3		5,819	135	B1-U0-G2	6,207	144	B1-U0-G2	6,214	145	B1-U0-G2	
	FT		5,693	132	B1-U0-G2	6,073	141	B1-U0-G2	6,079	141	B1-U0-G2	
8L	2	70	7,531	123	B2-U0-G2	8,034	132	B2-U0-G2	8,041	132	B2-U0-G2	61
	3		7,856	129	B2-U0-G2	8,380	137	B2-U0-G2	8,388	138	B2-U0-G2	
	FT		7,687	126	B2-U0-G2	8,199	134	B2-U0-G2	8,207	135	B2-U0-G2	

Electrical Data - Current Draw AMPS <sup>2</sup>						
Lumen Package	120V	208V	240V	277V	347V	480V
1L	0.08	0.05	0.04	0.04	0.03	0.02
2L	0.11	0.06	0.05	0.05	0.04	0.03
3L	0.16	0.09	0.08	0.07	0.05	0.04
5L	0.29	0.17	0.15	0.13	0.10	0.07
6L	0.36	0.21	0.18	0.16	0.12	0.09
8L	0.51	0.29	0.25	0.22	0.18	0.13

Recommended Lumen Maintenance - XWS <sup>3</sup>					
Ambient Temperature C°	Initial <sup>4</sup>	25K hrs. <sup>4</sup>	50K hrs. <sup>4</sup>	75K hrs. <sup>5</sup>	100K hrs. <sup>5</sup>
25	100%	95%	90%	85%	80%
40	100%	91%	82%	73%	65%

1 1L not available in HV  
 2 1L not available with controls.  
 3 Lumen maintenance values at 25°C are calculated per TM-21 based on LM-80 data and in-situ luminaire testing.  
 4 In accordance with IESNA TM-21-11, Projected Values represent interpolated value based on time durations that are within six times (6X) the IESNA LM-80-08 total test duration (in hours) for the device under testing (DUT) i.e. the packaged LED chip.  
 5 In accordance with IESNA TM-21-11, Calculated Values represent time durations that exceed six times NA LM-80-08 total test duration (in hours) for the device under testing (DUT) i.e. the packaged LED chip.



## Mirada Small Silicone (XWS SIL)

Type : \_\_\_\_\_

Have questions? Call us at (800) 436-7800

### PHOTOMETRICS

[Back to Quick Links](#)

Luminaire photometry has been conducted by a NVLAP accredited testing laboratory in accordance with IESNA LM-79-08. As specified by IESNA LM-79-08 the entire luminaire is tested as the source resulting in a luminaire efficiency of 100%.

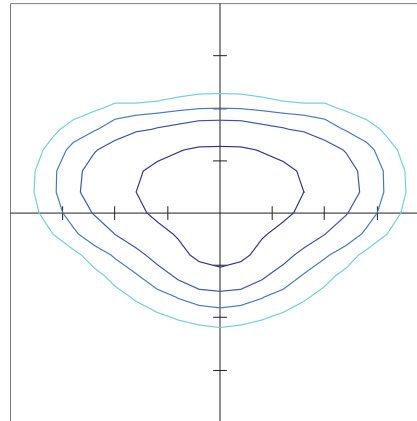
See the individual product page on <https://www.lsicorp.com/> for detailed photometric data.

#### XWS-LED-6L-SIL-2-40-70CRI

Luminaire Data	
Type 2 Distribution	
Description	4000 Kelvin, 70 CRI
Delivered Lumens	5,951
Watts	42.5
Efficacy	138
IES Type	Type II - Short
BUG Rating	B1-U0-G1

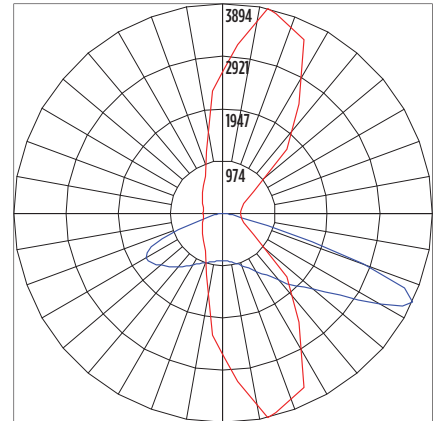
Zonal Lumen Summary		
Zone	Lumens	% Luminaire
Low (0-30°)	834	20%
Medium (30-60°)	3,379	50%
High (60-80°)	1,647	28%
Very High (80-90°)	91	1%
Uplight (90-180°)	0	0%
<b>Total Flux</b>	<b>5,951</b>	<b>100%</b>

ISO Footcandle



10' Mounting Height / 10' Grid Spacing  
 5 FC 2 FC 1 FC 0.5 FC

Polar Curve



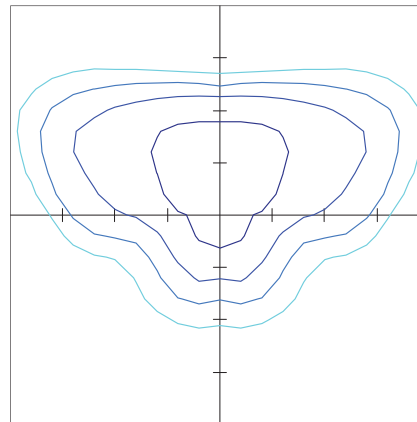
Vertical Plane Horizontal Cone

#### XWS-LED-6L-SIL-3-40-70CRI

Luminaire Data	
Type 3 Distribution	
Description	4000 Kelvin, 70 CRI
Delivered Lumens	6,208
Watts	42.5
Efficacy	146
IES Type	Type III - Medium
BUG Rating	B1-U0-G2

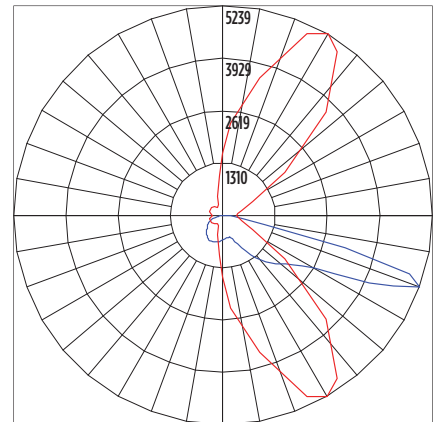
Zonal Lumen Summary		
Zone	Lumens	% Luminaire
Low (0-30°)	582	9%
Medium (30-60°)	2,997	48%
High (60-80°)	2,506	40%
Very High (80-90°)	124	2%
Uplight (90-180°)	0	0%
<b>Total Flux</b>	<b>6,208</b>	<b>100%</b>

ISO Footcandle



10' Mounting Height / 10' Grid Spacing  
 5 FC 2 FC 1 FC 0.5 FC

Polar Curve



Vertical Plane Horizontal Cone

## Mirada Small Silicone (XWS SIL)

Type : \_\_\_\_\_

**Have questions?** Call us at (800) 436-7800

### PHOTOMETRICS

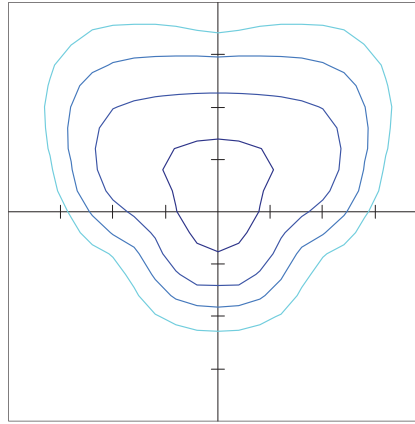
[Back to Quick Links](#)

#### XWS-LED-6L-SIL-FT-40-70CRI

Luminaire Data	
Type FT Distribution	
Description	4000 Kelvin, 70 CRI
Delivered Lumens	6,073
Watts	42.5
Efficacy	143
IES Type	Type IV - Short
BUG Rating	B1-U0-G2

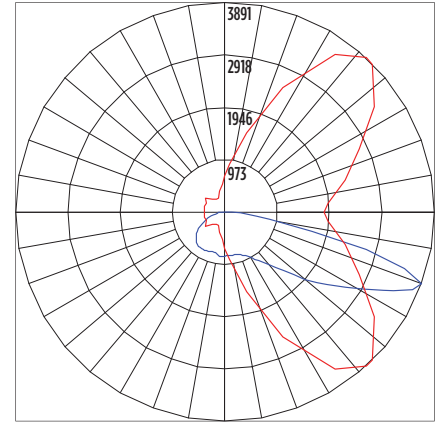
Zonal Lumen Summary		
Zone	Lumens	% Luminaire
Low (0-30°)	708.3	12%
Medium (30-60°)	2,715.5	45%
High (60-80°)	2,475.4	41%
Very High (80-90°)	173.6	3%
Uplight (90-180°)	0	0%
<b>Total Flux</b>	<b>6,073</b>	<b>100%</b>

ISO Footcandle



10' Mounting Height / 10' Grid Spacing  
■ 5 FC   ■ 2 FC   ■ 1 FC   ■ 0.5 FC

Polar Curve



■ Vertical Plane   ■ Horizontal Cone

## Mirada Small Silicone (XWS SIL)

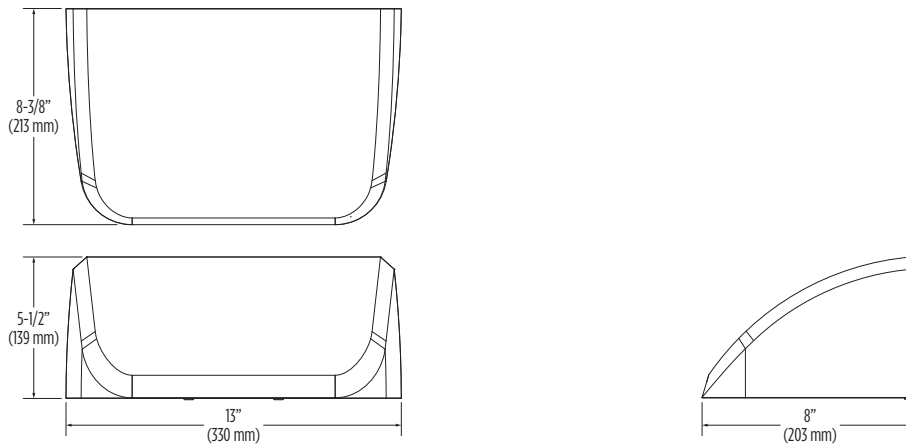
Type : \_\_\_\_\_

**Have questions?** Call us at (800) 436-7800

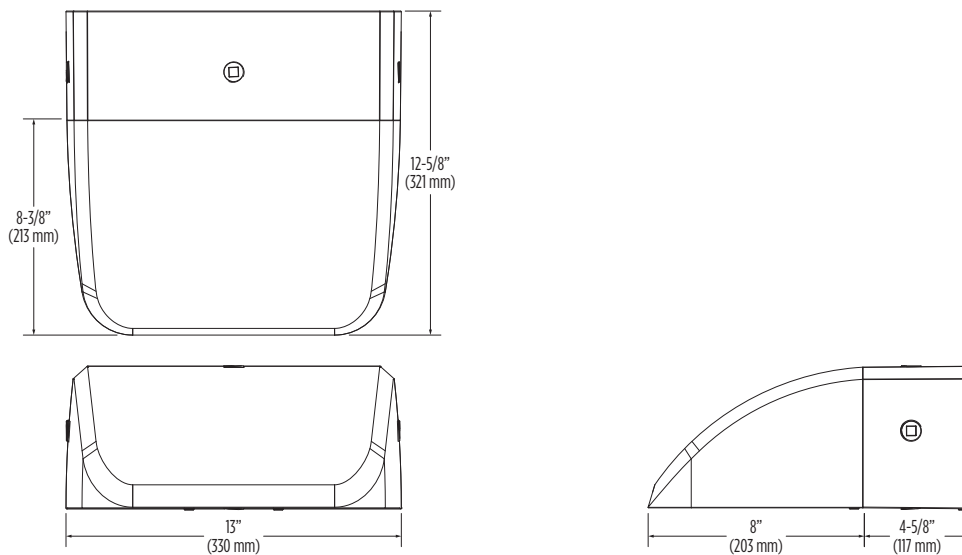
### PRODUCT DIMENSIONS

[Back to Quick Links](#)

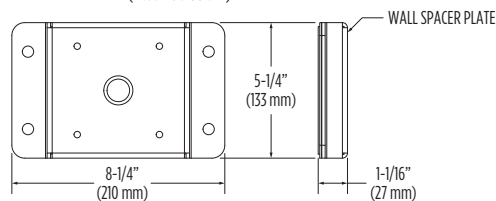
#### STANDARD HOUSING (XWS)



#### SCWB EXTENDED HOUSING (XWS 758274CLR)



#### XWS SPACER PLATE/WIRING BOX (XWS 760159CLR)



**NOTE:** Wall spacer plate allows the luminaire to float off the wall and provides space for securing wires (8.25" X 5.25" X 1.07").

## Mirada Small Silicone (XWS SIL)

Type : \_\_\_\_\_

**Have questions?** Call us at (800) 436-7800

### CONTROLS

[Back to Quick Links](#)

#### Integral Bluetooth™ Motion and Photocell Sensor (IMSBTxL)

Slim low profile sensor provides multi-level control based on motion and/or daylight. Sensor controls 0-10 VDC LED drivers and is IP66 rated for cold and wet locations (-40°F to 167°F). Two unique PIR lenses are available and used based on fixture mounting height. All control parameters are adjustable via an iOS or Android App capable of storing and transmitting sensor profiles.

[Click here to learn more details about IMSBT](#)



LEVITON App



Apple



Android

#### AirLink Wireless Lighting Controller (ALSC, ALSXS)

The AirLink integrated controller is a California Title 24 compliant lighting controller that provides real-time light monitoring and control with utility-grade power monitoring. It includes a 24V sensor input and power supply to connect a sensor into the outdoor AirLink wireless lighting system. The wireless integrated controller is compatible with this fixture.

[Click here to learn more details about AirLink](#)

#### AirLink Blue (ALBMRxLR, ALBCSx)

Wireless Bluetooth Mesh Outdoor Lighting Control System that provides energy savings, code compliance and enhanced safety/security for parking lots and parking garages. Three key components; Bluetooth wireless radio/sensor controller, Time Keeper and an iOS App. Capable of grouping multiple fixtures and sensors as well as scheduling time-based events by zone. Radio/Sensor Controller is factory integrated into Area/ Site, Wall Mounted, Parking Garage and Canopy luminaires.

[Click here to learn more details about AirLink Blue](#)



AirLink Blue App



Apple

#### Sensor Sequence of Operations

Standard Programming	On Event	Off Event	On Light Level	Dim Light Level	Daylight Harvesting	Delay To Off	Sensitivity
IMSBTxL	Motion	No Motion	100%	N/A	On; Auto Calibration	20 minutes	High

Operation	Description
On Event	Trigger that activates lights to turn on; either automatic via motion detected or manually activated via push of button.
Off Event	Trigger that activates lights to turn off; either automatic via no motion detected or manually activated via push of button.
On Light Level	The light level that the fixtures will turn on to when ON EVENT occurs.
Dim Light Level	The light level that the fixtures will dim down to when no motion is detected.
Delay to Dim	The amount of time after which no motion is detected that the fixtures will be triggered to dim down. This sequence is optional, and sensor can be programmed to only trigger the fixture to turn off by entering 100% in this field.
Delay to Off	The amount of time after which no motion is detected that the fixtures will be triggered to turn off. If delay to dim is part of the programmed functionality, this is the amount of time after which no motion is detected after the fixture have already dimmed down.
Sensitivity	The sensitivity can be set to high, medium, low, or auto where applicable. High will detect smaller, simple motions. Low will only detect larger more complex motions. Auto temperature calibration adjusts the PIR sensitivity as ambient temperature rises to increase detection of heat movement through the field of view.

PLUMLEY ENGINEERING, P.C.

004400

Re.

Check Total: \$250.00

10/18/2024

Pay To CITY OF ROME

Check No. 4400

Invoice No.	Invoice Date	Invoice Amount	Amount Due	Discount	Apply	Balance
2024074/002-Application Fee	10/18/2024	250.00	250.00	0.00	250.00	0.00

DOCUMENT INCLUDES 3D HOLOGRAM FOIL AND MULTI-TONAL VOID PANTOGRAPH - COMPLETE DETAILS OF SECURITY FEATURES ON BACK

**PLUMLEY ENGINEERING, P.C.**  
 8232 LOOP ROAD PH:(315)638-8587  
 BALDWINVILLE, NY 13207  
 200 NORTH GEORGE ST  
 ROME, NY 13440



Check No. 4400  
 50-7177/2213

Two Hundred Fifty and 00/100 Dollars

DATE

AMOUNT

10/18/2024

\$250.00

PAY TO THE ORDER OF

CITY OF ROME  
 CITY HALL  
 198 NORTH WASHINGTON STREET  
 ROME, NY 13440



*Jesse Peeg*  
 AUTHORIZED SIGNATURE

Security features. Details on back

⑈004400⑈ ⑆221371770⑆ 591014188⑈