

**City of Rome**  
**Commercial Façade Improvement Program**  
**1120 E. Dominick Street Façade Improvements**

**Bid Package Table of Contents:**

**BID DOCUMENTS**

- BD-1            Legal Notice-Bid Advertisement
  - BD-1.1            Bid Package Bidder Checklist
  - BD- 1.2            Special Notes (If necessary)
- BD-2            Construction Documents
- BD-3            Bid Summary Form
- BD-4            Certificate of Non-Collusion
- BD-5            Responsible Bidder Form
- BD-6            MWBE Form
- BD-7            MWBE Utilization Plan
- BD-8            FY 2024 HUD Income Limits – Rome, NY
- BD-9            NYS DOL Generic Prevailing Wage Sheet
- BD-10            Federal Wage Determination
- BD-11            Federal Contract Provisions
- BD-12            Federal Contract Provisions Bidder Certification Form
- BD-13            Federal Contract Provisions Questionnaire
- BD-14            HUD Federal Labor Standard Provisions Form 4010
- BD-15            Section 3 Insert
- BD-16            Sample Davis Bacon Certified Payroll Worksheet
- BD-17            Mandatory Insurance Coverage

## **BID ADVERTISEMENT**

Sealed proposals will be received by the City Clerk of the City of Rome, New York, until 11 a.m. local time February 20<sup>th</sup>, 2025, for the following project:

**RFB: 2025-003**

**PROJECT NAME:** 1120 E. Dominick Street Commercial Façade Improvements

**PROJECT DESCRIPTION:** Selective demolition as well as installation of windows and doors.

### **BID OPENING**

Bid will be publicly opened and read aloud at 11 AM, local time, February 20<sup>th</sup>, 2025 at 198 North Washington St., Rome, NY, 13440, Rome City Hall, 2<sup>nd</sup> Floor, Council Chambers.

### **BID SUBMITTAL & FORMS**

All bids must be received no later than the submission deadline listed above. The City of Rome will not accept late bid submissions. Electronic submissions are not permitted for these bidding documents. Bid packages must be delivered to and time stamped by the City Clerk's Office at Rome City Hall. All bids shall be made on forms furnished and shall be enclosed in a sealed envelope marked to the attention of the City Clerk as follows:

RFB-2025-003  
(Bidders Name)

### **EXAMINATION OF DOCUMENTS**

Bid materials can be inspected at the following locations:

- Office of the Rome City Clerk,  
Rome City Hall  
198 North Washington Street, Rome, NY, 13440

### **BID MATERIALS**

Bids will be advertised electronically at:

- <http://www.romenewyork.com/treasurer-purchasing/>
- <https://www.bidnetdirect.com/new-york/city-of-rome>

The City of Rome is not providing paper copies of the materials for this bid.

### **OFFICIAL PLAN HOLDERS LIST**

Bidders who intend to submit a bid must call or email to be placed on the official plan holders list. Contractors that obtain contract documents from a source other than the issuing locations must notify the City of Rome in order to be placed in the official plan holder's list, in order to receive addenda and other bid correspondence. **Bids received from contractors other than those on the official plan holder's list will not be accepted.** To be placed on the official plan holders list please contact the Department of Community and Economic Development at either 315-339-7644 or [Gwyckoff@RomeCityGov.com](mailto:Gwyckoff@RomeCityGov.com)

**ADDENDA**

The City will not issue Addenda, nor will the Department of Community and Economic Development issue addenda nor respond to bidder’s questions five (5) days prior to the scheduled bid opening unless stated bid date is postponed.

**PRE-BID CONFERENCE & PROJECT QUESTIONS**

There will be no pre-bid conference for this bid. All questions should be directed to:  
Garret Wyckoff, Planner  
Phone: (315)339-7644  
[Gwyckoff@romecitygov.com](mailto:Gwyckoff@romecitygov.com)

**BID SECURITY**

Bids shall be accompanied by money order, certified check, or bid bond in the amount of 5% of the total bid price, payable to the City Treasurer, City of Rome, Rome New York. No bidder may withdraw their bid within forty-five (45) calendar days after the actual date of the opening thereof.

**SPECIAL BID LANGUAGE**

Comply with all federal contract provisions including but not limited to Equal Employment Opportunities, Debarment and Suspension, Anti Lobbying, Small and Minority-owned and Women-owned Businesses, Drug-Free Workplaces, Non-Discrimination, Federal Labor Standards.

Comply will all HUD Section 3 provisions. HUD Section 3 Code of Federal Regulation at 24 CFR 135 applies to construction contracts exceeding the \$200,000 threshold. All applicable regulations must be followed if bid total exceeds the threshold.

Section 3 of the Housing and Urban Development Act of 1968 as amended, 12 U.S.C. 1701. Section 3 requires that to the greatest extent feasible, opportunities for training or employment be given to low and very low-income residents of the project area and contracts for work in connection with the project be awarded to business concerns that provide economic opportunities for low and very low-income persons residing in the metropolitan area in which the project is located.

**BID ADVERTISEMENT NOTES**

It is the policy of the City of Rome to encourage the greatest possible participation of minority and women-owned business enterprises (MWBES). All qualified MWBE suppliers, contractors, and/or businesses will be afforded equal opportunity without discrimination because of race, color, religion, national origin, sex, age, disability, or sexual preference.

The City of Rome reserves the right to reject any or all proposals or to accept any proposals deemed to be in its best interest.

Rome City Clerk,  
Eric R. Seelig

Legal Date: 02/04/2024

---

## Commercial Façade Program

### Bidder's Checklist

All forms listed below must be submitted in order for the bid to be considered complete, unless they are designated post-bid submissions. Incomplete Proposals will not be considered.

- BD-3 Bid Summary Sheet
- BD-4 Certificate of Non-Collusion
- BD-5 Responsible Bidder Form
- BD-6 MWBE Form (Post-Bid)
- BD-7 MWBE Utilization Plan (Post-Bid)
- BD-12 Federal Contract Provisions Bidder Certification Form
- BD-13 Federal Contract Provisions Questionnaire
- BD-15 Section 3 Insert (If applicable)(Post-Bid)

Sheet List	
Sheet #	Sheet Name
A-1	RENDERING
A-2	EXTERIOR ELEVATIONS
A-3	DETAILS AND SCHEDULES



5047 Clear Mdw  
Camillus, New York 13031  
(315) 558-4321  
www.phzarch.com

**Downtown Facade  
Grant Program**

1120 E. Dominick St.  
Rome, NY 13440

PHZ Project Number: 22-004F

Seal/Signature:

Date Issued:  
01/20/25

Drawing Package:  
BID SET

Scale:

Drawn By:  
HMS

RENDERING

**A-1**





5047 Clear Mdw  
 Camillus, New York 13031  
 (315) 558-4321  
 www.phzarch.com

**Downtown Facade  
 Grant Program**

1120 E. Dominick St.  
 Rome, NY 13440

PHZ Project Number: 22-004F

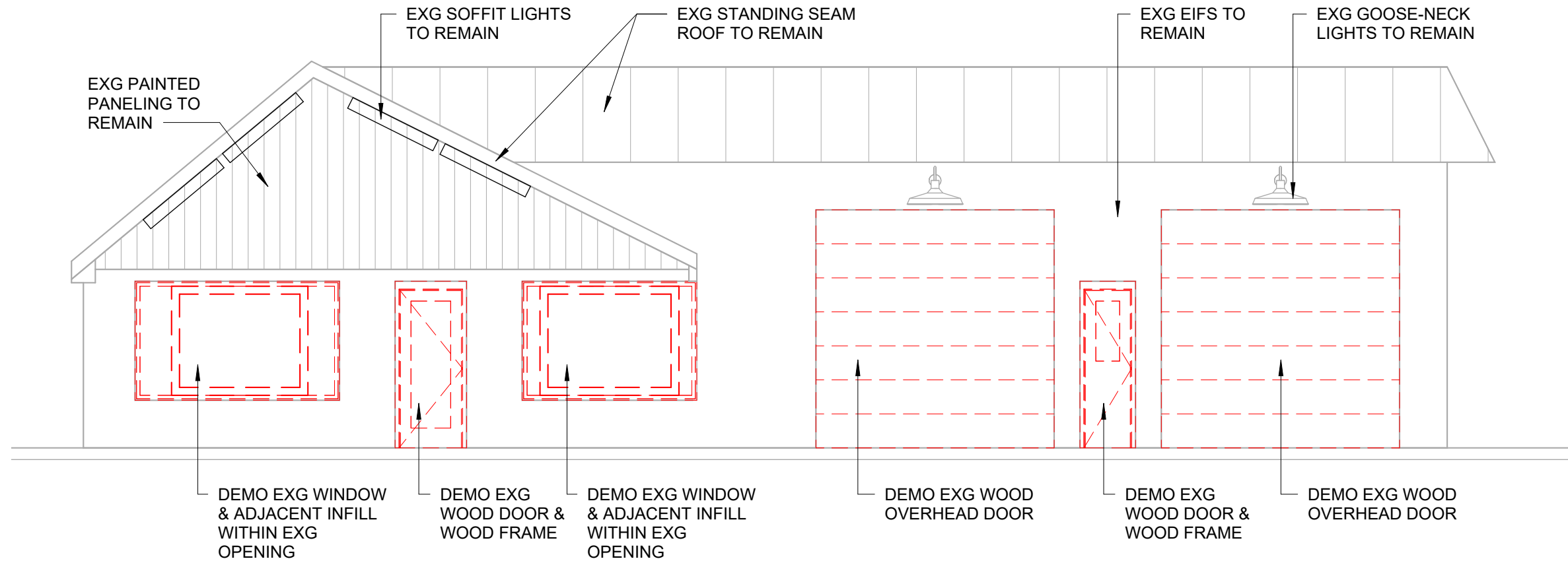
Seal/Signature:

Date Issued: 01/20/25  
 Drawing Package: BID SET

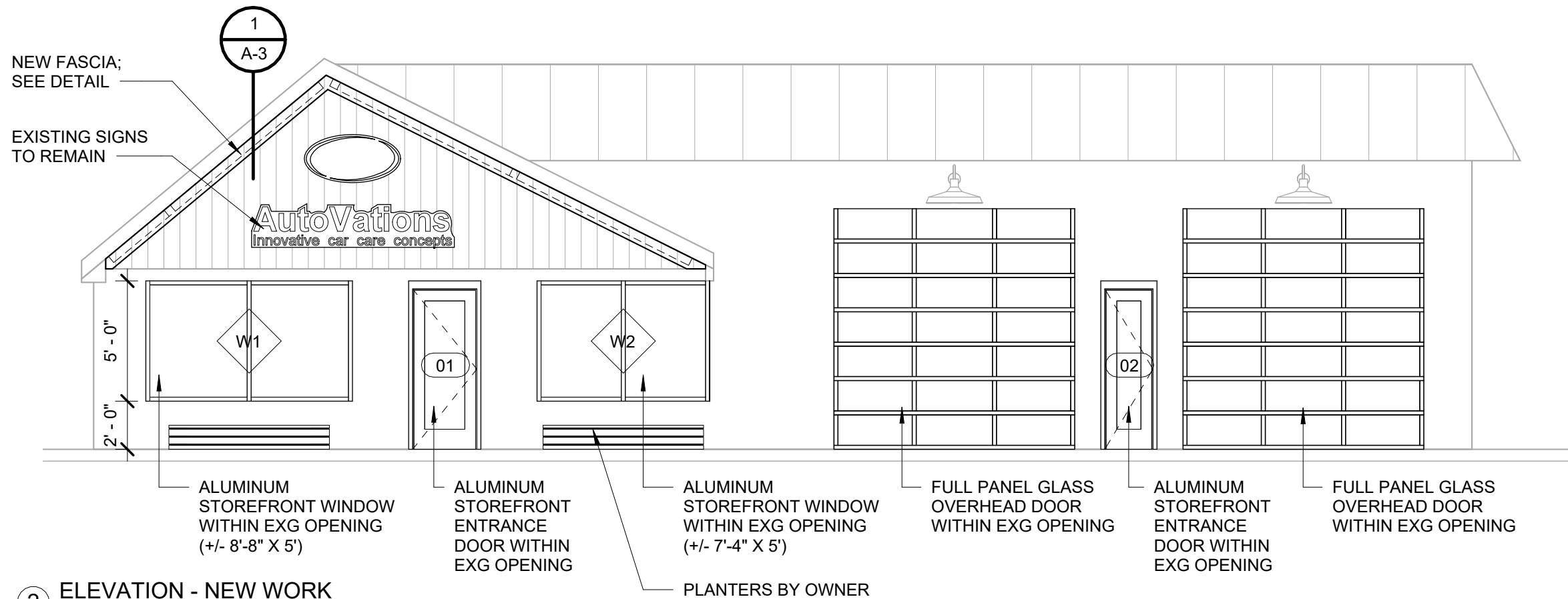
Scale: 3/16" = 1'-0"  
 Drawn By: HMS

**EXTERIOR  
 ELEVATIONS**

**A-2**



**1 ELEVATION - DEMO**  
 3/16" = 1'-0"



**2 ELEVATION - NEW WORK**  
 3/16" = 1'-0"

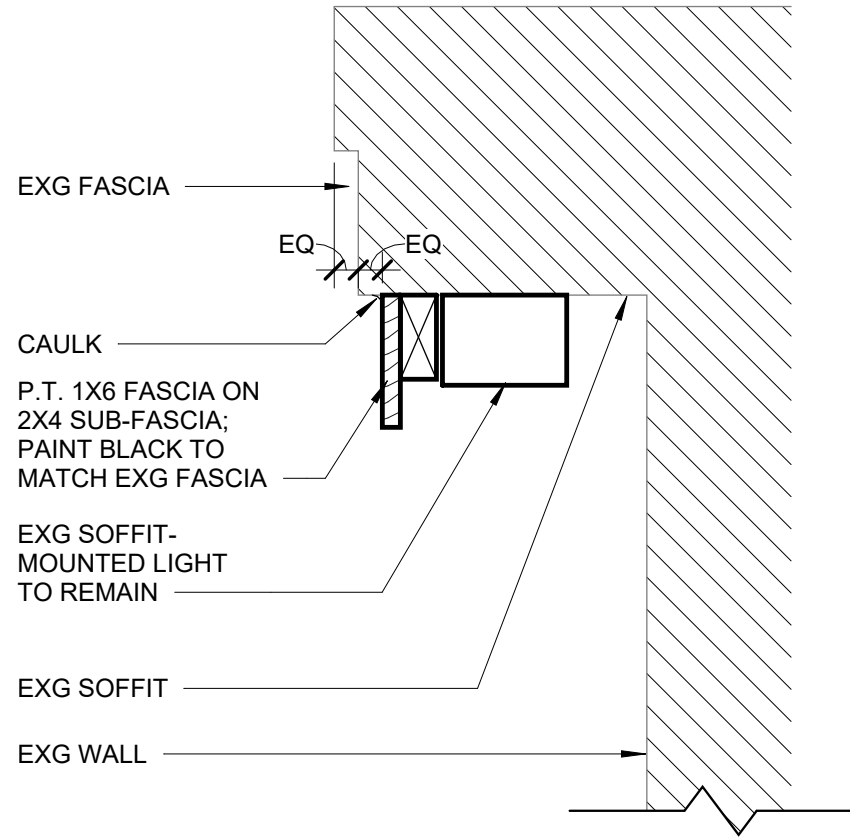


5047 Clear Mdw  
Camillus, New York 13031  
(315) 558-4321  
www.phzarch.com

Downtown Facade  
Grant Program  
1120 E. Dominick St.  
Rome, NY 13440

PHZ Project Number: 22-004F

Seal/Signature:



1 SOFFIT DETAIL  
1 1/2" = 1'-0"

Window Schedule			
Type Mark	WIDTH	HEIGHT	Comments
W1	8' - 7"	5' - 0"	PROVIDE CENTER VERTICAL MULLION
W2	7' - 2"	5' - 0"	PROVIDE CENTER VERTICAL MULLION

Door Schedule			
Mark	Width	Height	Comments
01	2' - 8"	6' - 8"	BUSINESS ENTRY
02	2' - 0"	6' - 8"	SHOP ENTRY
OHD1	10' - 0"	10' - 0"	FULL GLASS OVERHEAD DOOR
OHD2	10' - 0"	10' - 0"	FULL GLASS OVERHEAD DOOR

**GENERAL NOTES:**

1. ENTRANCE DOORS SHALL HAVE A MAX U-VALUE OF 0.77 (CLIMATE ZONE 6 - ENTRANCE DOORS)
2. FIXED WINDOWS SHALL HAVE MAX U-VALUE OF 0.36 (CLIMATE ZONE 6 - FIXED FENESTRATION)
3. OVERHEAD DOORS SHALL HAVE MAX U-VALUE OF 0.43 (CLIMATE ZONE 6 - OPERABLE FENESTRATION)
4. ACTUAL SIZE OF EXISTING ROUGH OPENINGS SHALL BE FIELD VERIFIED BY CONTRACTOR BEFORE ORDERING.
5. SAFETY GLAZING REQUIRED IN DOORS
6. SAFETY GLAZING REQUIRED IN WINDOWS IF ALL OF THE FOLLOWING CONDITIONS EXIST:
  - A. THE INDIVIDUAL PANE OF GLASS IS GREATER THAN 9 SF; **YES**
  - B. THE BOTTOM EDGE OF THE GLAZING IS LESS THAN 18" ABOVE FLOOR; **NO - EXG SILLS NOT BELOW 18" AFF (V.I.F.)**
  - C. THE TOP EDGE OF GLAZING IS GREATER THAN 36" ABOVE FLOOR; **YES**
  - D. ONE OR MORE WALKING SURFACES ARE WITHIN 36" OF GLAZING; **YES**
  - E. **IF WINDOW SILLS ARE BELOW 18" AFF, SAFETY GLAZING WILL BE REQUIRED - CONTRACTOR TO V.I.F.**

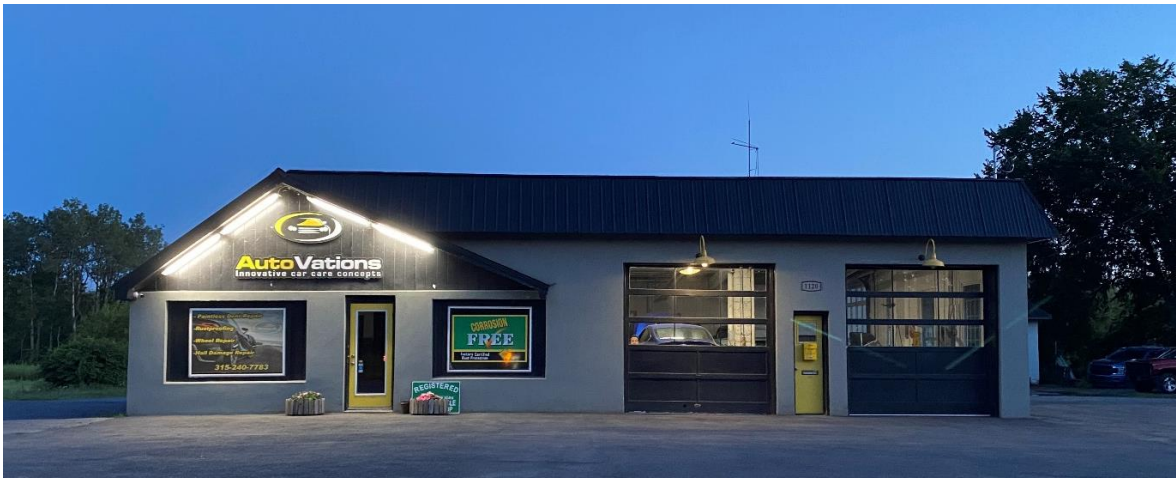
Date Issued: 01/20/25  
Drawing Package: BID SET  
Scale: 1 1/2" = 1'-0"  
Drawn By: HMS

DETAILS AND SCHEDULES





**CITY OF ROME, NEW YORK  
DOWNTOWN FAÇADE GRANT PROGRAM  
1120 E Dominick Street  
Rome, New York 13440  
01/20/2025**



**Existing Elevation**



**Rendering**





**SCOPE OF WORK:**

The owners are soliciting proposals from qualified firms or individuals to provide construction services to renovate the facade of 1120 East Dominick Street in Rome, NY. Please provide bids broken down in the following categories. Some or all the categories of work will be implemented, based on what can be accomplished within the project budget.

- A. SELECTIVE DEMO
- B. WINDOWS & DOORS

**ATTACHED DRAWINGS:**

- 1. A-1 RENDERING
- 2. A-2 EXTERIOR ELEVATIONS
- 3. A-4 DETAILS & SCHEDULES

**SITE VISIT:**

Provided information should also be augmented by field inspection and/or additional site visits. Site can be arranged by contacting Garret Wyckoff at the Office of Community and Economic Development at 315-339-7644 or [gwyckoff@romecitygov.com](mailto:gwyckoff@romecitygov.com)



## **GC SCOPE OF WORK:**

### **A. SELECTIVE DEMO**

- Remove 2 overhead doors & prep openings for new doors.
- Remove 2 windows & surrounding infill back to original rough opening.
- Remove 2 exterior doors
- Remove all exterior lighting – gooseneck fixtures & soffit lighting.

### **B. WINDOWS & DOORS**

- Verify size of openings in the field before ordering windows & doors.
- Install shims as needed within existing window openings to accept replacement windows.
- Within existing openings, install two (2) Tubelite T14000 Series storefront windows, each with one vertical center mullion.
  - Frame: standard painted Black finish (3P).
  - Glazing: option 13 with U-0.36 & 0.40 SHGC. Fixed windows shall have a max u-value of 0.36 to meet NYS Energy Code requirements. Contractor shall provide documentation of performance criteria for specified sizes.
  - Fill all voids around windows with low expanding spray foam. Caulk exterior and interior perimeters. Exterior caulk to match window color.
- Within existing openings, install two (2) Tubelite medium-style entrance doors, or equal, with full glass lites.
  - Frame: standard painted Black finish (3P).
  - Door: full glass lite & custom yellow color to be selected by Owner.
  - Door shall have a max u-value of 0.77 and max SHGC of 0.40 per NYS energy code.
  - Insulate & caulk voids to match frame color.
  - Provide & install all necessary hardware in satin nickel finish. Styles to be selected by Owner.
- Within existing openings, install two (2) Clopay Architectural Series model 3728 full glass overhead doors, or equal.
  - Frame: standard black finish
  - Glazing: ¾" insulated tempered glass
  - Hardware: heavy duty
- Installation shall include all work on the interior as needed, including jamb extensions, sheetrock work in disturbed area (tape & sand only), repairs to existing finishes impacted by window installation, etc. All voids around windows shall be properly insulated and caulked. Owner will be responsible for painting & installing interior trim.



**CITY OF ROME, NEW YORK  
DOWNTOWN FAÇADE GRANT PROGRAM  
1120 East Dominick Street  
Rome, New York 13440**

**BID ITEM BREAKDOWN**

Note: All prices to include labor and materials, unless noted otherwise, as well as clean-up and debris removal.

- A. SELECTIVE DEMO..... \$ \_\_\_\_\_
- B. WINDOWS & DOORS..... \$ \_\_\_\_\_

**City of Rome**

**Commercial Facade Improvement Program**

**BID SUMMARY SHEET**

**PROJECT NAME: 1120 E. Dominick Street Commercial Façade Improvements**

**Description and Items:** The work shall consist of furnishing all labor, materials and equipment required for the complete execution of all work described in the Scopes of Work. No partial proposals will be accepted.

**TOTAL BASE BID:**     \$ \_\_\_\_\_

**Total Base Bid in Words:** \_\_\_\_\_

Bidder Name (Organization or Individual) \_\_\_\_\_

Contact Person & Title: \_\_\_\_\_

Contact Address: \_\_\_\_\_

Contact Phone Number & Email: \_\_\_\_\_

Signature: \_\_\_\_\_ Date: \_\_\_\_\_

BIDDER'S WARRANTY: The above-signed person by his/her affixed signature certifies that he/she is an officer of the Bidder. He/she has been specifically authorized to offer this bid in full compliance with all requirements and conditions, as set forth in the bid, other than those deviations noted above. He/she has fully read and understands the bid and has full knowledge of the scope, nature, quantity, and quality of work to be performed and that he/she has carefully examined and checked the materials, equipment, labor, service, and cost thereof, and hereby states that the amount or amounts set forth in this bid is or are correct. The bidder further agrees not to make claim for reformation, modification, or correction of this bid after the scheduled closing time for receipt of proposals.

---

# Community Development Block Grant Project

**Name of Project:** 1120 E. Dominick Street Commercial Façade Improvements

## **NON-COLLUSIVE BIDDING CERTIFICATE**

Pursuant to New York General Municipal Law 103(d)

By submission of this bid, each bidder and each person signing on behalf of any bidder certifies, and in the case of a joint bid, each party thereto certifies as to its own organization, under penalty of perjury, that to the best of knowledge and belief:

- (1) The prices in this bid have been arrived at independently without collusion, consultation, communication, or agreement, for the purpose of restricting competition, as to any matter relating to such prices with any other bidder or with any competitor;
- (2) Unless otherwise required by law, the prices which have been quoted in this bid have not been knowingly be disclosed by the bidder and will not knowingly disclosed by the bidder prior to opening, directly or indirectly, to any other bidder or to any competitor; and
- (3) No attempt has been made or will be made by the bidder to induce any other person, partnership or corporation to submit or not to submit a bid for the purposes of restricting competition.

---

Signature

---

Name of Bidder (Organization or Individual)

---

Contact Name & Title

---

Date

# Commercial Facade Improvement Program

**Project: 1120 E. Dominick Street Commercial Façade Improvements**

## RESPONSIBLE BIDDER FORM

Each bidder will complete the following to enable the City to determine if the bidder meets the criteria of a Responsible Bidder.

- A. Has your firm agreed to or been in negotiations which may lead to a merger, consolidation, or other form of reorganization?     Yes    No

If yes, please explain: \_\_\_\_\_

- B. Has your firm or its majority owner filed for bankruptcy?     Yes    No

- C. Is your firm presently on a State or Federal Debarment or Ineligible Bidder's List?

Yes (please explain): \_\_\_\_\_

No

In determining the "lowest responsible bidder," in addition to price, the City of Rome shall consider the ability, capacity and skill of the bidder to perform the contract or provide the service required; whether the bidder can perform the contract or provide the service promptly or within the time specified, without delay or interference; the character, integrity, reputation, judgment, experience and efficiency of the bidder; the quality of performance or previous contracts or services; existing compliance by the bidder with laws and ordinances relating to the contract or service; the sufficiency of the financial resources and ability of the bidder to perform the contract or provide the service; the quality, availability and adaptability of the supplies or contractual services to the particular use required; the ability of the bidder to provide future maintenance and service for the use of the subject of the contract; and the number and scope of conditions attached to the bid.

Signature: \_\_\_\_\_

Name of Bidder (Organization or Individual): \_\_\_\_\_

Contact Person & Title: \_\_\_\_\_

Date: \_\_\_\_\_

# Commercial Facade Improvement Program

**Project:** 1120 E. Dominick Street Commercial Façade Improvements

## **MINORITY BUSINESS ENTERPRISE PARTICIPATION FORM**

The City of Rome encourages the participation of registered Minority and Women-Owned business enterprises are encouraged for all City material, supply, professional and construction contracts and sub-contracts.

A “minority business enterprise” is defined as a business firm which is at least fifty-one percent (51%) owned, operated and controlled by minority group members. The minority members must exercise the authority to independently control the day-to-day business decisions of the firm. “Minority” means Blacks, Hispanics, American Indians, Alaskan Natives, Asians and Pacific Islanders.

A “women-owned business enterprise” is defined as a business firm which is at least fifty-one percent (51%) owned, operated and controlled by women. The women ownership must exercise the authority to independently control the day-to-day business decisions of the firm.

Bidders are requested to provide the following:

- a. Is your company 51% or more owned, operated and controlled by women?  
     Yes  No
- b. Is your company 51% or more owned, operated and controlled by minorities?  
     Yes  No
- c. If you answer YES to (b) above, please indicate the appropriate category:  
  
     Black  Hispanic  Alaskan Native  Asian/Pacific Islands  
  
     American Indian
- d. If you have answered yes to (a) or (b) above, have you registered the business as a Minority Business Enterprise or Women Business Enterprise with Empire State Development?  
  
     Yes  No

Signature: \_\_\_\_\_

Name of Bidder: \_\_\_\_\_

Contact Name & Title: \_\_\_\_\_

Date: \_\_\_\_\_



## MWBE Utilization Plan City of Rome Commercial Façade Improvement Program

The following information indicates the payment amounts made by the grantee/contractor to the NYS Certified MWBE subcontractor on this project. The payments as shown made are in compliance with contract documents for the referenced project.

<b>Reporting Entity:</b> <input type="checkbox"/> Contractor <input type="checkbox"/> Subcontractor	<b>Contractor's name and Address:</b>	
<b>Contractor's Federal Tax ID#</b>	<b>Project:</b>	<b>Work Location:</b> Rome, NY

MWBE Subcontractor/Vendor	Description of Service/Product	Proposed		Actual (at final payment)		Comments
		Total Subcontractor Contract Amount		Total Subcontractor Contract Amount		
		MBE	WBE	MBE	WBE	
Name: FED ID#						
Name: FED ID#						
Name: FED ID#						
<b>Total</b>						

<b>PREPARED BY (Signature):</b>	<b>TELEPHONE NO.:</b>	<b>DATE:</b>
<b>NAME AND TITLE OF PREPARER (Print or Type):</b>	<b>Submit completed form as a component to bid package:</b>	
<b>EMAIL ADDRESS:</b>	Project Name/Number: <u>1120 E. Dominick Street Commercial Façade Improvements</u>	



# FY 2024 INCOME LIMITS DOCUMENTATION SYSTEM

[HUD.gov](https://www.hud.gov) [HUD User Home](#) [Data Sets](#) [Fair Market Rents](#) [Section 8 Income Limits](#) [MTSP Income Limits](#) [HUD LIHTC Database](#)

## FY 2024 Income Limits Summary

FY 2024 Income Limit Area	Median Family Income <a href="#">Click for More Detail</a>	FY 2024 Income Limit Category  <a href="#">Click for More Detail</a>	Persons in Family							
			1	2	3	4	5	6	7	8
<b>Utica-Rome, NY MSA</b>	\$87,900	Very Low (50%) Income Limits (\$) <a href="#">Click for More Detail</a>	30,800	35,200	39,600	<b>43,950</b>	47,500	51,000	54,500	58,050
		Extremely Low Income Limits (\$)* <a href="#">Click for More Detail</a>	18,450	21,100	25,820	<b>31,200</b>	36,580	41,960	47,340	52,720
		Low (80%) Income Limits (\$) <a href="#">Click for More Detail</a>	49,250	56,250	63,300	<b>70,300</b>	75,950	81,550	87,200	92,800

NOTE: **Oneida County** is part of the **Utica-Rome, NY MSA**, so all information presented here applies to all of the Utica-Rome, NY MSA.

The **Utica-Rome, NY MSA** contains the following areas: Herkimer County, NY; and Oneida County, NY.

\* The FY 2014 Consolidated Appropriations Act changed the definition of extremely low-income to be the greater of 30/50ths (60 percent) of the Section 8 very low-income limit or the poverty guideline as [established by the Department of Health and Human Services \(HHS\)](#), provided that this amount is not greater than the Section 8 50% very low-income limit. Consequently, the extremely low income limits may equal the very low (50%) income limits.

Income Limit areas are based on FY 2024 Fair Market Rent (FMR) areas. For information on FMRs, please see our associated FY 2024 [Fair Market Rent documentation system](#).

For last year's Median Family Income and Income Limits, please see here:

[FY2023 Median Family Income and Income Limits for Utica-Rome, NY MSA](#)

Select a different county or county equivalent in New York:

- Monroe County
- Montgomery County
- Nassau County
- New York County
- Niagara County
- Oneida County

[Select county or county equivalent](#)

Select any FY2024 HUD Metropolitan FMR Area's Income Limits:

Utica-Rome, NY MSA

[Select HMFA Income Limits Area](#)

Or press below to start over and select a different state:

[Select a new state](#)

[Update URL for Bookmarking or Emailing](#)

"General Decision Number: NY20240013 09/27/2024

Superseded General Decision Number: NY20230013

State: New York

Construction Type: Building

County: Oneida County in New York.

BUILDING CONSTRUCTION PROJECTS (excluding single family homes and apartment up to and including 4 stories)

Note: Contracts subject to the Davis-Bacon Act are generally required to pay at least the applicable minimum wage rate required under Executive Order 14026 or Executive Order 13658. Please note that these Executive Orders apply to covered contracts entered into by the federal government that are subject to the Davis-Bacon Act itself, but do not apply to contracts subject only to the Davis-Bacon Related Acts, including those set forth at 29 CFR 5.1(a)(1).

If the contract is entered into on or after January 30, 2022, or the contract is renewed or extended (e.g., an option is exercised) on or after January 30, 2022:	. Executive Order 14026 generally applies to the contract. . The contractor must pay all covered workers at least \$17.20 per hour (or the applicable wage rate listed on this wage determination, if it is higher) for all hours spent performing on the contract in 2024.
If the contract was awarded on or between January 1, 2015 and January 29, 2022, and the contract is not renewed or extended on or after January 30, 2022:	. Executive Order 13658 generally applies to the contract. . The contractor must pay all covered workers at least \$12.90 per hour (or the applicable wage rate listed on this wage determination, if it is higher) for all hours spent performing on that contract in 2024.

The applicable Executive Order minimum wage rate will be adjusted annually. If this contract is covered by one of the Executive Orders and a classification considered necessary for performance of work on the contract does not appear on this wage determination, the contractor must still submit a conformance request.

Additional information on contractor requirements and worker protections under the Executive Orders is available at <http://www.dol.gov/whd/govcontracts>.

Modification Number	Publication Date
0	01/05/2024
1	03/08/2024
2	04/05/2024
3	05/31/2024
4	07/05/2024
5	08/23/2024
6	08/30/2024
7	09/27/2024

BRNY0002-005 07/01/2024

UTICA CHAPTER

	Rates	Fringes
BRICKLAYER		
BRICKLAYERS, STONE MASONS, CEMENT MASONS, PLASTERERS, POINTERS, CLEANERS & CAULKERS.....	\$ 37.74	20.68
Marble, Tile & Terrazzo Finisher.....	\$ 28.52	19.59
Marble, Tile & Terrazzo Workers.....	\$ 35.85	20.37

\* CARP0277-028 07/01/2024

	Rates	Fringes
CARPENTER		
Carpenters, Millwrights.....	\$ 30.85	21.32
Piledriver.....	\$ 26.80	18.96

ELEC0043-001 06/01/2024

	Rates	Fringes
CABLE SPLICER.....	\$ 51.70	33.47
ELECTRICIAN.....	\$ 47.00	33.33

ELEV0035-002 01/01/2024

	Rates	Fringes
Elevator Constructor.....	\$ 55.32	37.885+a+b

FOOTNOTE:

- a. Vacation: 6%/under 5 years based on regular hourly rate for all hours worked. 8%/over 5 years based on regular hourly rate for all hours worked.
- b. PAID HOLIDAYS: New Year's Day; Memorial Day; Independence Day; Labor Day; Veterans' Day; Thanksgiving Day; the Friday after Thanksgiving Day; and Christmas Day.

-----  
ENGI0158-011 07/01/2024

	Rates	Fringes
Power Equipment Operator		
Backhoe, Bulldozer, Forklift.....	\$ 46.12	31.21
Crane.....	\$ 47.62	31.21
Loader, Roller.....	\$ 44.00	31.21

FOOTNOTE:

- a. PAID HOLIDAYS: New Year's day, Memorial day, Independence Day, Labor day, Thanksgiving Day and Christmas Day, provided the employee has worked five consecutive working days before the holiday and the working day after the holiday

CRANE PREMIUMS (ADD TO GROUP 1 RATE):

- Boom length incl. jib over 150 ft plus \$1.75
- Boom length incl. jib over 200 ft plus \$2.75
- Boom length incl. jib over 300 ft plus \$3.75

-----  
IRON0440-001 07/01/2023

REMANINDER OF COUNTY

	Rates	Fringes
IRONWORKER		
Structural, Ornamental, Rodman, Machinery Mover,		

Rigger, Fence Erector,  
Reinforcement, and Stone  
Derrickman.....\$ 32.00            31.00

-----  
LAB00035-003 07/01/2017

	Rates	Fringes
Laborers:		
Asbestos Removal.....	\$ 24.00	20.64
Blasters, Form Setters, Motor-Buggy Operator (Ryder Type).....	\$ 23.00	20.64
Hazardous Waste Removal (Hazardous waste removal includes, wetting, stripping, removal, scrapping, vaccuming, bagging and disposing of all insulation materials, whether they contain asbestos or not, from mechanical systems).....	\$ 24.00	20.64
Laborers.....	\$ 22.50	20.64
Pipelayers, Motor Mixers, Motor Buggy Operator (Walk Behind), Power Lift (Walk Behind) Wagon Drill Operator.....	\$ 22.65	20.64
Wagon Drill Operator.....	\$ 22.90	20.64

-----  
PAIN0004-021 05/01/2023

	Rates	Fringes
Painters:		
Brush & Roller, Drywall Taping/Finishing.....	\$ 26.27	25.53
Spray/Sandblasting/Structural Steel.....	\$ 26.77	25.53

-----  
PAIN0677-002 05/01/2023

	Rates	Fringes
GLAZIER.....	\$ 26.80	24.19

-----  
PLUM0112-005 05/01/2024

	Rates	Fringes
PLUMBER (Including Steamfitting) Northern Zone.....	\$ 43.65	32.70

-----  
ROOF0195-001 06/01/2023

	Rates	Fringes
ROOFER.....	\$ 32.25	25.51

-----  
SFNY0669-001 01/01/2024

	Rates	Fringes
SPRINKLER FITTER.....	\$ 42.73	27.05

-----  
SHEE0058-001 05/01/2024

	Rates	Fringes
Sheet Metal Worker		
Projects 10 million or less.	\$ 35.25	22.85
Projects over \$10 million..	\$ 36.25	22.85

-----

WELDERS - Receive rate prescribed for craft performing operation to which welding is incidental.

=====  
Note: Executive Order (EO) 13706, Establishing Paid Sick Leave for Federal Contractors applies to all contracts subject to the Davis-Bacon Act for which the contract is awarded (and any solicitation was issued) on or after January 1, 2017. If this contract is covered by the EO, the contractor must provide employees with 1 hour of paid sick leave for every 30 hours they work, up to 56 hours of paid sick leave each year. Employees must be permitted to use paid sick leave for their own illness, injury or other health-related needs, including preventive care; to assist a family member (or person who is like family to the employee) who is ill, injured, or has other health-related needs, including preventive care; or for reasons resulting from, or to assist a family member (or person who is like family to the employee) who is a victim of, domestic violence, sexual assault, or stalking. Additional information on contractor requirements and worker protections under the EO is available at <https://www.dol.gov/agencies/whd/government-contracts>.

Unlisted classifications needed for work not included within the scope of the classifications listed may be added after award only as provided in the labor standards contract clauses (29CFR 5.5 (a) (1) (iii)).

-----  
The body of each wage determination lists the classification and wage rates that have been found to be prevailing for the cited type(s) of construction in the area covered by the wage determination. The classifications are listed in alphabetical order of "identifiers" that indicate whether the particular rate is a union rate (current union negotiated rate for local), a survey rate (weighted average rate) or a union average rate (weighted union average rate).

#### Union Rate Identifiers

A four letter classification abbreviation identifier enclosed in dotted lines beginning with characters other than "SU" or "UAVG" denotes that the union classification and rate were prevailing for that classification in the survey. Example: PLUM0198-005 07/01/2014. PLUM is an abbreviation identifier of the union which prevailed in the survey for this classification, which in this example would be Plumbers. 0198 indicates the local union number or district council number where applicable, i.e., Plumbers Local 0198. The next number, 005 in the example, is an internal number used in processing the wage determination. 07/01/2014 is the effective date of the most current negotiated rate, which in this example is July 1, 2014.

Union prevailing wage rates are updated to reflect all rate changes in the collective bargaining agreement (CBA) governing this classification and rate.

#### Survey Rate Identifiers

Classifications listed under the "SU" identifier indicate that no one rate prevailed for this classification in the survey and the published rate is derived by computing a weighted average rate based on all the rates reported in the survey for that classification. As this weighted average rate includes all rates reported in the survey, it may include both union and non-union rates. Example: SULA2012-007 5/13/2014. SU indicates the rates are survey rates based on a weighted average calculation of rates and are not majority rates. LA indicates the State of Louisiana. 2012 is the year of survey on which these classifications and rates are based. The next number, 007 in the example, is an internal number used in producing the

wage determination. 5/13/2014 indicates the survey completion date for the classifications and rates under that identifier.

Survey wage rates are not updated and remain in effect until a new survey is conducted.

#### Union Average Rate Identifiers

Classification(s) listed under the UAVG identifier indicate that no single majority rate prevailed for those classifications; however, 100% of the data reported for the classifications was union data. EXAMPLE: UAVG-OH-0010 08/29/2014. UAVG indicates that the rate is a weighted union average rate. OH indicates the state. The next number, 0010 in the example, is an internal number used in producing the wage determination. 08/29/2014 indicates the survey completion date for the classifications and rates under that identifier.

A UAVG rate will be updated once a year, usually in January of each year, to reflect a weighted average of the current negotiated/CBA rate of the union locals from which the rate is based.

#### State Adopted Rate Identifiers

Classifications listed under the "SA" identifier indicate that the prevailing wage rate set by a state (or local) government was adopted under 29 C.F.R. 1.3(g)-(h). Example: SAME2023-007 01/03/2024. SA reflects that the rates are state adopted. ME refers to the State of Maine. 2023 is the year during which the state completed the survey on which the listed classifications and rates are based. The next number, 007 in the example, is an internal number used in producing the wage determination. 01/03/2024 reflects the date on which the classifications and rates under the ?SA? identifier took effect under state law in the state from which the rates were adopted.

-----  
WAGE DETERMINATION APPEALS PROCESS

1.) Has there been an initial decision in the matter? This can be:

- \* an existing published wage determination
- \* a survey underlying a wage determination
- \* a Wage and Hour Division letter setting forth a position on a wage determination matter
- \* a conformance (additional classification and rate) ruling

On survey related matters, initial contact, including requests for summaries of surveys, should be with the Wage and Hour National Office because National Office has responsibility for the Davis-Bacon survey program. If the response from this initial contact is not satisfactory, then the process described in 2.) and 3.) should be followed.

With regard to any other matter not yet ripe for the formal process described here, initial contact should be with the Branch of Construction Wage Determinations. Write to:

Branch of Construction Wage Determinations  
Wage and Hour Division  
U.S. Department of Labor  
200 Constitution Avenue, N.W.  
Washington, DC 20210

2.) If the answer to the question in 1.) is yes, then an interested party (those affected by the action) can request review and reconsideration from the Wage and Hour Administrator (See 29 CFR Part 1.8 and 29 CFR Part 7). Write to:

Wage and Hour Administrator  
U.S. Department of Labor  
200 Constitution Avenue, N.W.



Washington, DC 20210

The request should be accompanied by a full statement of the interested party's position and by any information (wage payment data, project description, area practice material, etc.) that the requestor considers relevant to the issue.

3.) If the decision of the Administrator is not favorable, an interested party may appeal directly to the Administrative Review Board (formerly the Wage Appeals Board). Write to:

Administrative Review Board  
U.S. Department of Labor  
200 Constitution Avenue, N.W.  
Washington, DC 20210

4.) All decisions by the Administrative Review Board are final.

=====

END OF GENERAL DECISION"

## Introduction to the Prevailing Rate Schedule

### Information About Prevailing Rate Schedule

This information is provided to assist you in the interpretation of particular requirements for each classification of worker contained in the attached Schedule of Prevailing Rates.

#### Classification

It is the duty of the Commissioner of Labor to make the proper classification of workers taking into account whether the work is heavy and highway, building, sewer and water, tunnel work, or residential, and to make a determination of wages and supplements to be paid or provided. It is the responsibility of the public work contractor to use the proper rate. If there is a question on the proper classification to be used, please call the district office located nearest the project. District office locations and phone numbers are listed below.

Prevailing Wage Schedules are issued separately for "General Construction Projects" and "Residential Construction Projects" on a county-by-county basis.

General Construction Rates apply to projects such as: Buildings, Heavy & Highway, and Tunnel and Water & Sewer rates.

Residential Construction Rates generally apply to construction, reconstruction, repair, alteration, or demolition of one family, two family, row housing, or rental type units intended for residential use.

Some rates listed in the Residential Construction Rate Schedule have a very limited applicability listed along with the rate. Rates for occupations or locations not shown on the residential schedule must be obtained from the General Construction Rate Schedule. Please contact the local Bureau of Public Work office before using Residential Rate Schedules, to ensure that the project meets the required criteria.

#### Payrolls and Payroll Records

Contractors and subcontractors are required to establish, maintain, and preserve for not less than six (6) years, contemporaneous, true, and accurate payroll records.

Every contractor and subcontractor shall submit to the Department of Jurisdiction (Contracting Agency), within thirty (30) days after issuance of its first payroll and every thirty (30) days thereafter, a transcript of the original payrolls, subscribed and affirmed as true under penalty of perjury.

#### Paid Holidays

Paid Holidays are days for which an eligible employee receives a regular day's pay, but is not required to perform work. If an employee works on a day listed as a paid holiday, this remuneration is in addition to payment of the required prevailing rate for the work actually performed.

#### Overtime

At a minimum, all work performed on a public work project in excess of eight hours in any one day or more than five days in any workweek is overtime. However, the specific overtime requirements for each trade or occupation on a public work project may differ. Specific overtime requirements for each trade or occupation are contained in the prevailing rate schedules.

Overtime holiday pay is the premium pay that is required for work performed on specified holidays. It is only required where the employee actually performs work on such holidays.

The applicable holidays are listed under HOLIDAYS: OVERTIME. The required rate of pay for these covered holidays can be found in the OVERTIME PAY section listings for each classification.

#### Supplemental Benefits

Particular attention should be given to the supplemental benefit requirements. Although in most cases the payment or provision of supplements is straight time for all hours worked, some classifications require the payment or provision of supplements, or a portion of the supplements, to be paid or provided at a premium rate for premium hours worked. Supplements may also be required to be paid or provided on paid holidays, regardless of whether the day is worked. The Overtime Codes and Notes listed on the particular wage classification will indicate these conditions as required.

#### Effective Dates

When you review the schedule for a particular occupation, your attention should be directed to the dates above the column of rates. These are the dates for which a given set of rates is effective. The rate listed is valid until the next effective rate change or until the new annual determination which takes effect on July 1 of each year. All contractors and subcontractors are required to pay the current prevailing rates of wages and supplements. If you have any questions please contact the Bureau of Public Work or visit the New York State Department of Labor website ([www.labor.ny.gov](http://www.labor.ny.gov)) for current wage rate information.

#### Apprentice Training Ratios

The following are the allowable ratios of registered Apprentices to Journey-workers.

For example, the ratio 1:1,1:3 indicates the allowable initial ratio is one Apprentice to one Journeyworker. The Journeyworker must be in place on the project before an Apprentice is allowed. Then three additional Journeyworkers are needed before a second Apprentice is allowed. The last ratio repeats indefinitely. Therefore, three more Journeyworkers must be present before a third Apprentice can be hired, and so on.

Please call Apprentice Training Central Office at (518) 457-6820 if you have any questions.

Title (Trade)	Ratio
Boilermaker (Construction)	1:1,1:4
Boilermaker (Shop)	1:1,1:3
Carpenter (Bldg.,H&H, Pile Driver/Dockbuilder)	1:1,1:4
Carpenter (Residential)	1:1,1:3
Electrical (Outside) Lineman	1:1,1:2
Electrician (Inside)	1:1,1:3
Elevator/Escalator Construction & Modernizer	1:1,1:2
Glazier	1:1,1:3
Insulation & Asbestos Worker	1:1,1:3
Iron Worker	1:1,1:4
Laborer	1:1,1:3
Mason	1:1,1:4
Millwright	1:1,1:4
Op Engineer	1:1,1:5
Painter	1:1,1:3
Plumber & Steamfitter	1:1,1:3
Roofer	1:1,1:2
Sheet Metal Worker	1:1,1:3
Sprinkler Fitter	1:1,1:2

If you have any questions concerning the attached schedule or would like additional information, please contact the nearest BUREAU of PUBLIC WORK District Office or write to:

New York State Department of Labor  
Bureau of Public Work  
State Office Campus, Bldg. 12  
Albany, NY 12226

District Office Locations:	Telephone #	FAX #
Bureau of Public Work - Albany	518-457-2744	518-485-0240
Bureau of Public Work - Binghamton	607-721-8005	607-721-8004
Bureau of Public Work - Buffalo	716-847-7159	716-847-7650
Bureau of Public Work - Garden City	516-228-3915	516-794-3518
Bureau of Public Work - Newburgh	845-568-5287	845-568-5332
Bureau of Public Work - New York City	212-932-2419	212-775-3579
Bureau of Public Work - Patchogue	631-687-4882	631-687-4902
Bureau of Public Work - Rochester	585-258-4505	585-258-4708
Bureau of Public Work - Syracuse	315-428-4056	315-428-4671
Bureau of Public Work - Utica	315-793-2314	315-793-2514
Bureau of Public Work - White Plains	914-997-9507	914-997-9523
Bureau of Public Work - Central Office	518-457-5589	518-485-1870

**Oneida County General Construction**

**Boilermaker** **11/01/2024**

**JOB DESCRIPTION** Boilermaker

**DISTRICT** 7

**ENTIRE COUNTIES**

Cayuga, Clinton, Cortland, Franklin, Jefferson, Lewis, Madison, Oneida, Onondaga, Oswego, Seneca, St. Lawrence, Tompkins

**WAGES**

Per hour: 07/01/2024

Boilermaker \$ 37.98

**SUPPLEMENTAL BENEFITS**

Per hour:

Journeyworker \$ 26.62\*  
 + 1.48

\*This portion of the benefits subject to the same premium rate as shown for overtime wages.

**OVERTIME PAY**

See (B, E, Q) on OVERTIME PAGE

**HOLIDAY**

Paid: See (1) on HOLIDAY PAGE  
 Overtime: See (5, 6, 15, 25) on HOLIDAY PAGE

NOTE: When a holiday falls on Sunday, the day observed by the State or Nation shall be observed. When Christmas Day and New Year's fall on Saturday, Friday will be observed as the holiday.

**REGISTERED APPRENTICES**

WAGES per hour: Six (6) month terms at the following percentage of Journeyworker's wage.

1st	2nd	3rd	4th	5th	6th	7th	8th
65%	65%	70%	75%	80%	85%	90%	95%

SUPPLEMENTAL BENEFITS per hour:

\$ 19.78*	\$ 19.78*	\$ 20.76*	\$ 21.73*	\$ 22.71*	\$ 23.69*	\$ 24.67*	\$ 25.64*
+ 1.48	+ 1.48	+ 1.48	+ 1.48	+ 1.48	+ 1.48	+ 1.48	+ 1.48

\*This portion of the benefits subject to the same premium rate as shown for overtime wages.

7-175

**Carpenter - Building** **11/01/2024**

**JOB DESCRIPTION** Carpenter - Building

**DISTRICT** 6

**ENTIRE COUNTIES**

Cayuga, Herkimer, Madison, Oneida, Seneca, Yates

**WAGES**

Per hour:	07/01/2024	07/01/2025
		Additional
Carpenter	\$ 30.85	\$ 1.30*
Floor Coverer	30.85	1.30*
Carpet Layer	30.85	1.30*
Drywall	30.85	1.30*
Diver - Wet Day	61.25	0.00
Diver - Dry Day	31.85	1.30*
Dive Tender	31.85	1.30*

\*To be allocated at a later date.

NOTE ADDITIONAL AMOUNTS PAID FOR THE FOLLOWING WORK LISTED BELOW (per hour worked):

- Pile Drivers/Dock Builders shall receive \$0.25 per hour over the Journeyworker's rate of pay when performing piledriving/dock building work.
- Certified Welders shall receive \$1.00 per hour over the Journeyworker's rate of pay when the employee is required to be certified and performs DOT or ABS specified welding work.
- When an employee performs work within a contaminated area on a State and/or Federally designated hazardous waste site, and where relevant State and/or Federal regulations require employees to be furnished and use or wear required forms of personal protection, then the employee shall receive his regular hourly rate plus \$1.50 per hour.
- Depth pay for Divers based upon deepest depth on the day of the dive (per diem payment):

- 0' to 80' no additional fee
- 81' to 100' additional \$0.50 per foot
- 101' to 150' additional \$0.75 per foot
- 151' and deeper additional \$1.25 per foot

- Penetration pay for Divers based upon deepest penetration on the day of the dive (per diem payment):

- 0' to 50' no additional fee
- 51' to 100' additional \$0.75 per foot
- 101' and deeper additional \$1.00 per foot

- Diver rates applies to all hours worked on dive day.

**SHIFT WORK**

On Agency/Owner mandated shift work, the following rates will be applicable:

- 1st Shift - Regular Rate
- 2nd Shift - Premium of 7% of base wage per hour
- 3rd Shift - Premium of 14% of base wage per hour

Shift work shall be defined as implementing at least two (2) shifts in a twenty-four (24) consecutive hour period. Shift work must be for a minimum of three (3) consecutive days.

**SUPPLEMENTAL BENEFITS**

Per hour:

Journeyworker \$ 21.69

**OVERTIME PAY**

See (B, E, E2, Q) on OVERTIME PAGE

**HOLIDAY**

Paid: See (1) on HOLIDAY PAGE  
Overtime: See (5, 6) on HOLIDAY PAGE

NOTE: Any holiday which occurs on Sunday shall be observed the following Monday. If Christmas falls on a Saturday, it shall be observed on the prior Friday.

**REGISTERED APPRENTICES**

Wages per hour (1300 hour terms at the following percentage of Journeyworker's base wage):

1st	2nd	3rd	4th
65%	70%	75%	80%

Supplemental Benefits per hour:

\$ 12.60	\$ 12.61	\$ 15.21	\$ 15.21
----------	----------	----------	----------

NOTE ADDITIONAL AMOUNTS PAID TO APPRENTICES FOR THE FOLLOWING WORK LISTED BELOW (per hour worked):

- Pile Driving/Dock Builder apprentices shall receive an additional \$0.25 per hour worked when performing piledriving/dock building work.
- Certified Welders shall receive \$1.00 per hour over the apprentices rate of pay when the apprentice is required to be certified and performs DOT or ABS specified welding work.
- When an apprentice performs work within a contaminated area on a State and/or Federally designated hazardous waste site, and where relevant State and/or Federal regulations require the apprentice to be furnished and use or wear required forms of personal protection, then the apprentice shall receive his regular hourly rate plus \$1.50 per hour.

6-277B-Cay

**Carpenter - Building / Heavy&Highway**

**11/01/2024**

**JOB DESCRIPTION** Carpenter - Building / Heavy&Highway

**DISTRICT 2**

**ENTIRE COUNTIES**

Albany, Allegany, Broome, Cattaraugus, Cayuga, Chautauqua, Chemung, Chenango, Clinton, Columbia, Cortland, Delaware, Erie, Essex, Franklin, Fulton, Genesee, Greene, Hamilton, Herkimer, Jefferson, Lewis, Livingston, Madison, Monroe, Montgomery, Niagara, Oneida, Onondaga, Ontario, Orleans, Oswego, Otsego, Rensselaer, Saratoga, Schenectady, Schoharie, Schuyler, Seneca, St. Lawrence, Steuben, Sullivan, Tioga, Tompkins, Ulster, Warren, Washington, Wayne, Wyoming, Yates

**PARTIAL COUNTIES**

Orange: The area lying on Northern side of Orange County demarcated by a line drawn from the Bear Mountain Bridge continuing west to the Bear Mountain Circle, continue North on 9W to the town of Cornwall where County Road 107 (also known as Quaker Rd) crosses under 9W, then east on County Road 107 to Route 32, then north on Route 32 to Orrs Mills Rd, then west on Orrs Mills Rd to Route 94, continue west and south on Route 94 to the Town of Chester, to the intersection of Kings Highway, continue south on Kings Highway to Bellvale Rd, west on Bellvale Rd to Bellvale Lakes Rd, then south on Bellvale Lakes Rd to Kain Rd, southeast on Kain Rd to Route 17A, then north and southeast along Route 17A to Route 210, then follow Route 210 to NJ Border.

**WAGES**

Wages per hour: 07/01/2024

Carpenter - ONLY for  
Artificial Turf/Synthetic  
Sport Surface \$ 36.48

Note - Does not include the operation of equipment. Please see Operating Engineers rates.

**SUPPLEMENTAL BENEFITS**

Per hour:

Journeyworker \$ 26.55

**OVERTIME PAY**

See (B, E, Q, X) on OVERTIME PAGE

**HOLIDAY**

Paid: See (5) on HOLIDAY PAGE

Overtime: See (5, 6, 16) on HOLIDAY PAGE

Notes:

When a holiday falls upon a Saturday, it shall be observed on the preceding Friday. When a holiday falls upon a Sunday, it shall be observed on the following Monday.

An employee taking an unexcused day off the regularly scheduled day before or after a paid Holiday shall not receive Holiday pay.

**REGISTERED APPRENTICES**

Wages per hour (1300 hour terms at the following percentage of Journeyworker's wage):

1st	2nd	3rd	4th
65%	70%	75%	80%

Supplemental Benefits per hour:

\$18.58	\$19.14	\$21.24	\$21.79
---------	---------	---------	---------

2-42AtSS

**Carpenter - Heavy&Highway**

11/01/2024

**JOB DESCRIPTION** Carpenter - Heavy&Highway

**DISTRICT** 2

**ENTIRE COUNTIES**

Chenango, Herkimer, Madison, Oneida, Otsego

**WAGES**

Per hour 07/01/2024

Carpenter	\$ 42.28
Piledriver	42.28
Diver-Wet Day	67.28
Diver-Dry Day	43.28
Diver-Tender	43.28

NOTE ADDITIONAL AMOUNTS PAID FOR THE FOLLOWING WORK LISTED BELOW (per hour worked):

- State or Federal designated hazardous site, requiring protective gear shall be an additional \$2.50 per hour.
- Certified welders when required to perform welding work will receive an additional \$2.50 per hour.

ADDITIONAL NOTES PERTAINING TO DIVERS/TENDERS:

- Divers and Tenders shall receive one and one half (1 1/2) times their regular diver and tender rate of pay for Effluent and Slurry diving.
- Divers and tenders being paid at the specified rate for Effluent and Slurry diving shall have all overtime rates based on the specified rate plus the appropriate overtime rates (one and one half or two times the specified rate for Slurry and Effluent divers and tenders).
- The pilot of an ADS or submersible will receive one and one-half (1 1/2) times the Diver-Wet Day Rate for time submerged.
- All crew members aboard a submersible shall receive the Diver-Wet Day rate.
- Depth pay for Divers based upon deepest depth on the day of the dive (per diem payment):
  - 0' to 50' no additional fee
  - 51'to 100' additional \$.50 per foot
  - 101'to 150' additional \$0.75 per foot
  - 151'and deeper additional \$1.25 per foot
- Penetration pay for Divers based upon deepest penetration on the day of the dive (per diem payment):
  - 0' to 50' no additional fee
  - 51' to 100' additional \$.75 per foot
  - 101' and deeper additional \$1.00 per foot
- Diver rates applies to all hours worked on dive day.

**SHIFT WORK**

When project owner mandates a single irregular work shift, the Journeyworkers and Apprentices will receive an additional \$3.00 per hour. A single irregular work shift can start any time from 5:00 p.m. to 1:00 a.m.

**SUPPLEMENTAL BENEFITS**

Per hour:

Journeyworker \$ 26.55

**OVERTIME PAY**

See (B, E, Q) on OVERTIME PAGE

**HOLIDAY**

Paid: See (5, 6) on HOLIDAY PAGE  
 Overtime: See (5, 6) on HOLIDAY PAGE

- In the event a Holiday falls on a Saturday, the Friday before will be observed as a Holiday. If a Holiday falls on a Sunday, then Monday will be observed as a Holiday.
- The employee must work their scheduled workday before and their scheduled workday after the holiday to receive holiday pay.

**REGISTERED APPRENTICES**

**CAPRENTER APPRENTICES**

Wages per hour (1040 hour terms at the following percentage of journeyworker's base wage):

1st	2nd	3rd	4th	5th
65%	70%	75%	80%	85%

Supplemental Benefits per hour:

\$ 18.58	\$ 19.14	\$ 21.19	\$ 21.74	\$ 22.29
----------	----------	----------	----------	----------

**PILEDRIVER/DOCKBUILDER APPRENTICES**

Wages per hour (1300 hour terms at the following percentage of journeyworker's base wage):

1st	2nd	3rd	4th
65%	70%	75%	80%

Supplemental Benefits per hour:

\$ 18.58	\$ 19.14	\$ 21.19	\$ 21.74
----------	----------	----------	----------

**NOTE ADDITIONAL AMOUNTS PAID PER HOUR WORKED TO APPRENTICES FOR SPECIFIC TYPES OF WORK PERFORMED:**

- State or Federal designated hazardous site, requiring protective gear shall be an additional \$2.50 per hour.
- Certified welders when required to perform welding work will receive an additional \$2.50 per hour.

2-277HH-CHMOO

**Electrician**

**11/01/2024**

**JOB DESCRIPTION** Electrician

**DISTRICT 6**

**ENTIRE COUNTIES**

Cortland, Herkimer, Madison, Oneida, Oswego

**PARTIAL COUNTIES**

Cayuga: Townships of Ira, Locke, Sempronius, Sterling, Summerhill and Victory.

Chenango: Only the Townships of Columbus, New Berlin and Sherburne.

Onondaga: Entire County except Townships of Elbridge and Skaneateles.

Otsego: Only the Townships of Plainfield, Richfield, Springfield, Cherry Valley, Roseboom, Middlefield, Otsego, Exeter, Edmeston, Burlington, Pittsfield and New Lisbon.

Tompkins: Only the Township of Groton.

Wayne: Only the Townships of Huron, Wolcott, Rose and Butler.

**WAGES**

Per hour:	07/01/2024	06/01/2025	06/01/2026
Electrician	\$ 47.00	Additional \$ 5.00*	Additional \$ 5.25*
Teledata	47.00		
Cable Splicer	51.70		

\* To be allocated at a later date.

**NOTE:** Additional premiums for the following work listed (Amounts subject to premiums):

- Additional \$2.50 per hour for work performed over 35 feet above the ground, floor, or roof levels or where work is required in tunnels, shafts, or under compressed air 35 feet below the ground level.
- Additional \$3.00 per hour for working over 50 feet above or below ground, floor, or roof level. This includes work on ladders, "toothpicks", scaffolds, boatswain chairs, towers, smokestacks or other open structures, or mechanical lifts used over 60 feet.

Occupied Conditions: When necessary to perform alteration and/or renovation work and owner mandates (due to occupied conditions) prevent the work from being performed during "normal" working hours (defined as between 6:00 a.m. and 4:30 p.m. Monday through Friday), alternate hours may be worked, provided: 1) The hours are established for a minimum of five (5) days duration or the length of the job, whichever is shorter; and 2) An entire work scope within a job-site area is performed utilizing the varied hours. If these conditions are satisfied, all hours worked Monday through Friday of a shift that starts before or ends after the "normal" hours, shall be paid at the appropriate rate plus fifteen percent (15%). However, the following restrictions shall apply:

- 1) "Alternate" hours shall consist of a minimum of eight (8) consecutive hours per day.
- 2) Hours worked in excess of eight (8) hours per day, Monday through Friday, shall be paid at a rate of one and one-half times the applicable rate (day-shift + 15%).
- 3) Hours worked on Saturday shall be paid at time and one-half the applicable rate.
- 4) Hours worked on Sundays and Holidays shall be paid at double the straight time rate.



5) Work of a new construction nature may not be worked under these conditions.

**SHIFT WORK**

THE FOLLOWING RATES WILL APPLY ON ALL CONTRACTING AGENCY MANDATED MULTIPLE SHIFTS OF EIGHT (8) HOURS FOR AT LEAST FIVE (5) DAYS DURATION WHICH MAY HAVE BEEN WORKED. WHEN TWO (2) SHIFTS OR THREE (3) SHIFTS ARE WORKED:

1ST SHIFT	8:00AM - 4:30PM:	Regular wage rate
2ND SHIFT	4:30 PM - 1:00 AM:	Regular wage rate plus 15%
3RD SHIFT	12:30 AM - 9:00 AM:	Regular wage rate plus 25%

**SUPPLEMENTAL BENEFITS**

Per hour:

	\$ 31.92 plus
Journeyworker	3% of hourly wage paid*

\*NOTE: The 3% is based on the hourly wage paid, straight time or premium rate.

**OVERTIME PAY**

See (B, \*E, Q) on OVERTIME PAGE

\* NOTE: On Saturday the first 8 hours worked shall be paid at a rate of one and one-half times the applicable rate. All additional hours are payable at double the straight time rate.

WAGE CAP - Double the straight time hourly base wage shall be the maximum hourly wage compensation for any hour worked. Contractor is still responsible to pay the hourly benefit amount for each hour worked.

**HOLIDAY**

Paid: See (1) on HOLIDAY PAGE  
 Overtime: See (5, 6, 15, 26) on HOLIDAY PAGE

NOTE: If any of the above holidays fall on Saturday, Friday shall be observed as the holiday. If any of the above holidays fall on Sunday, Monday shall be observed as the holiday.

**REGISTERED APPRENTICES**

WAGES per hour: Hourly terms at the following percentage of Journeyworker's wage.

1st period 40% (0-1000 hrs.)	\$ 18.80
2nd period 45% (1001-2000)	21.15
3rd period 50% (2001-3500)	23.50
4th period 60% (3501-5000)	28.20
5th period 70% (5001-6500)	32.90
6th Period 80% (6501-8000)	37.60

SUPPLEMENTAL BENEFITS per hour:

1st period	\$ 14.34*
2nd period	14.34*
3rd period	28.92*
4th period	29.52*
5th period	30.12*
6th period	30.72*

\* PLUS 3% OF HOURLY WAGE PAID, STRAIGHT TIME RATE OR PREMIUM RATE.

**Elevator Constructor**

**11/01/2024**

**JOB DESCRIPTION** Elevator Constructor

**DISTRICT 1**

**ENTIRE COUNTIES**

Albany, Clinton, Essex, Fulton, Hamilton, Herkimer, Montgomery, Otsego, Rensselaer, Saratoga, Schenectady, Schoharie, Warren, Washington

**PARTIAL COUNTIES**

Madison: Madison Only the towns of: Brookfield, Hamilton, Lincoln, Madison, Smithfield, Stockbridge and the City of Oneida  
 Oneida: Entire county except the towns of: Camden, Florence, and Vienna.

**WAGES**

Per hour

	07/01/2024	01/01/2025
Mechanic	\$ 55.32	\$ 57.73
Helper	70% of Mechanic	70% of Mechanic

	Wage Rate	Wage Rate
<b>SUPPLEMENTAL BENEFITS</b>		
Per hour		
	07/01/2024	01/01/2025
Journeyworker/Helper	\$ 37.885*	\$ 38.435*

(\* )Plus 6% of hourly rate, if less than 5 years of service. Plus 8% of hourly rate, if more than 5 years of service.

**OVERTIME PAY**  
 See (D, O) on OVERTIME PAGE

**HOLIDAY**  
 Paid: See (5, 6, 15, 16) on HOLIDAY PAGE  
 Overtime: See (5, 6, 15, 16) on HOLIDAY PAGE  
 Note: When a paid holiday falls on Saturday, it shall be observed on Friday. When a paid holiday falls on Sunday, it shall be observed on Monday.

**REGISTERED APPRENTICES**  
 Wages per hour:

0-6 mo*	6-12 mo	2nd yr	3rd yr	4th yr
50%	55%	65%	70%	80%

(\* )Plus 6% of the hourly rate, no additional supplemental benefits.

Supplemental Benefits - per hour worked:

Same as Journeyperson/Helper

1-35

---

**Elevator Constructor** **11/01/2024**

**JOB DESCRIPTION** Elevator Constructor **DISTRICT 6**

**ENTIRE COUNTIES**  
 Broome, Cayuga, Chenango, Cortland, Franklin, Jefferson, Lewis, Onondaga, Oswego, St. Lawrence, Tioga, Tompkins

**PARTIAL COUNTIES**  
 Delaware: Only the towns of: Tompkins, Walton, Masonville, Sidney, Franklin and Deposit.  
 Madison: Only the towns of: Cazenovia, DeRuyter, Eaton, Fenner, Georgetown, Lebanon, Lenox, Nelson and Sullivan.  
 Oneida: Only the towns of: Camden, Florence and Vienna.

**WAGES**

Per hour:	07/01/2024	01/01/2025	01/01/2026
Elevator Constructor	\$ 56.01	\$ 58.455	\$ 61.003
Helper	39.21	40.92	42.70

**SUPPLEMENTAL BENEFITS**

Per hour:	07/01/2024	01/01/2025	01/01/2026
Journeyworker	\$ 37.885*	\$ 38.435*	\$ 38.985*

\*NOTE - add 6% of regular hourly rate for all hours worked. Add 8% of regular hourly rate if more than 5 years of service.

**OVERTIME PAY**  
 See (D, O) on OVERTIME PAGE

**HOLIDAY**  
 Paid: See (5, 6, 15, 16) on HOLIDAY PAGE  
 Overtime: See (5, 6, 15, 16) on HOLIDAY PAGE  
 NOTE: When a holiday falls on a Saturday, it shall be observed on Friday. When a holiday falls on Sunday, it shall be observed on Monday.

**REGISTERED APPRENTICES**  
 WAGES per hour: 1 year terms at the following percentage of the Elevator Constructor wage.

0-6 months	6-12 months	2nd year	3rd year	4th year
50%	55%	65%	70%	80%

SUPPLEMENTAL BENEFITS per hour:

0-6 months: 6% of the hourly apprentice rate paid, no additional supplemental benefits.

All other terms: Same as Journeyworker

---

**Glazier**

**11/01/2024**

**JOB DESCRIPTION** Glazier

**DISTRICT 5**

**ENTIRE COUNTIES**

Cayuga, Cortland, Herkimer, Madison, Oneida, Onondaga, Oswego

**WAGES**

Per Hour: 07/01/2024

Glazier \$ 28.00

**SUPPLEMENTAL BENEFITS**

Per hour:

Journeyman \$ 26.69

**OVERTIME PAY**

See (B,E,E2\*,Q) on OVERTIME PAGE.

\*Note - Or circumstances beyond the control of the employer.

**HOLIDAY**

Paid: See (1) on HOLIDAY PAGE  
Overtime: See (5, 6) on HOLIDAY PAGE

**REGISTERED APPRENTICES**

1000 hour terms:

Appr. 1st term	\$18.00
Appr. 2nd term	19.00
Appr. 3rd term	20.00
Appr. 4th term	21.00
Appr. 5th term	22.00
Appr. 6th term	23.00
Appr. 7th term	24.00
Appr. 8th term	25.00

Supplemental Benefits per hour:

Appr. 1st term	\$ 12.87
Appr. 2nd term	12.87
Appr. 3rd term	18.87
Appr. 4th term	18.87
Appr. 5th term	19.87
Appr. 6th term	19.87
Appr. 7th term	20.87
Appr. 8th term	20.87

5-677.Z-2

---

**Insulator - Heat & Frost**

**11/01/2024**

**JOB DESCRIPTION** Insulator - Heat & Frost

**DISTRICT 7**

**ENTIRE COUNTIES**

Broome, Cayuga, Chemung, Chenango, Cortland, Herkimer, Jefferson, Lewis, Madison, Oneida, Onondaga, Oswego, Otsego, Schuyler, Seneca, St. Lawrence, Tioga, Tompkins

**WAGES**

Per hour: 07/01/2024

Asbestos Installer \$ 41.50  
Insulation Installer 41.50  
(On mechanical systems only)

**SHIFT WORK**

The following rates will apply on all contracting agency-mandated shifts worked:

1st Shift	\$ 41.50
2nd Shift	47.72
3rd Shift	49.80

**SUPPLEMENTAL BENEFITS**

Per hour:

Journeyworker \$ 25.09

**OVERTIME PAY**

See (\*B1, \*\*K, P) on OVERTIME PAGE

\*NOTE: First 10 hours on Saturday.

\*\*NOTE: Holidays that fall on Sunday are subject to double time.

**HOLIDAY**

Paid: See (1) on HOLIDAY PAGE

Overtime: See (2\*,4,6,28) on HOLIDAY PAGE

\*Triple time for Labor Day if worked.

**REGISTERED APPRENTICES**

WAGES per hour: One (1) year terms at the following percentage of Journeyworker's wage.

1st	2nd	3rd	4th
60%	70%	80%	90%
\$ 24.90	\$ 29.05	\$ 33.20	\$ 37.35

SUPPLEMENTAL BENEFITS per hour:

\$ 22.59	\$ 22.59	\$ 25.09	\$ 25.09
----------	----------	----------	----------

7-30-Syracuse

**Ironworker**

**11/01/2024**

**JOB DESCRIPTION** Ironworker

**DISTRICT 7**

**ENTIRE COUNTIES**

Franklin, Herkimer, Lewis, Oneida, St. Lawrence

**PARTIAL COUNTIES**

Chenango: Only the Townships of Columbus, New Berlin, North Norwich, Plymouth, Sherburne and Smyrna.

Fulton: Only the Townships of Caroga, Ephratah, Oppenheim, and Stratford.

Hamilton: Only the Townships of Arietta, Indian Lake, Inlet, Lake Pleasant, Long Lake and Morehouse.

Jefferson: Only the Townships of Antwerp, Champion, Philadelphia and Wilna.

Madison: Only the Townships of Brookfield, Eaton, Hamilton, Lebanon, Madison, Oneida and Stockbridge.

Montgomery: Only the Townships of Canajoharie, Minden, Palatine and St. Johnsville.

Otsego: Only the Townships of Burlington, Cherry Valley, Decatur, Edmeston, Exeter, Hartwick, Middlefield, New Lisbon, Otsego, Pittsfield, Plainfield, Richfield, Roseboom, Springfield and Westford, and the Village of Cooperstown.

**WAGES**

Per hour:	07/01/2024	07/01/2025 Additional	07/01/2026 Additional
Structural/Reinforcing	\$ 33.50	\$ 2.63*	\$ 2.74*
Mach. Mover/Ornamental	33.50	2.63*	2.74*
Stone Derrickman	33.50	2.63*	2.74*
Chain Link Fence	33.50	2.63*	2.74*
Sheeter Ironworker	33.50	2.63*	2.74*
Pre-Engineered Building	33.50	2.63*	2.74*
Window Erector	33.50	2.63*	2.74*
Precast Erector	33.50	2.63*	2.74*
Welder	33.50	2.63*	2.74*

\*To be allocated at a later date.

**SUPPLEMENTAL BENEFITS**

Per hour:

Journeyworker \$ 32.28

**OVERTIME PAY**

See (B, E, Q) on OVERTIME PAGE

**HOLIDAY**

Paid: See (1) on HOLIDAY PAGE

Overtime: See (5, 6) on HOLIDAY PAGE

NOTE: Any holiday which occurs on Sunday shall be observed the following Monday. Any holiday which occurs on Saturday shall be observed the previous Friday.

**REGISTERED APPRENTICES**

WAGES per hour: 1500 hour terms at the following wage.

1-1500hrs	\$ 21.50
1501-3000hrs	23.50
3001-4500hrs	25.50
4501-6000hrs	27.50

SUPPLEMENTAL BENEFITS per hour:

1-1500hrs	\$ 13.69
1501-3000hrs	22.06
3001-4500hrs	23.26
4501-6000hrs	24.45

7-440

---

**Laborer - Building** **11/01/2024**

---

**JOB DESCRIPTION** Laborer - Building

**DISTRICT 1**

**ENTIRE COUNTIES**

Hamilton, Herkimer, Madison, Oneida

**PARTIAL COUNTIES**

Fulton: Only the Townships of Stratford, Oppenheim, Caroga and Ephratah

Montgomery: Only the Townships of Minden, St. Johnsville, Canajoharie, Palatine and Root

**WAGES**

- GROUP #1: Basic
- GROUP #2: Pipe Layer, Mortar Mixer, Walk behind Mortar Buggie and Power Lift
- GROUP #3: Wagon Drill(Where separate air compressor unit supplies power.)
- GROUP #4: Blaster, Formsetter, Riding Mortar Buggy
- GROUP #5: Hazardous Waste Removal
- GROUP #6: Asbestos and Lead Removal

WAGES per hour: 07/01/2024

Building Laborer:

Group # 1	\$ 32.64
Group # 2	32.79
Group # 3	33.04
Group # 4	33.14
Group # 5	34.14
Group # 6	34.14

**SUPPLEMENTAL BENEFITS**

Per hour:

07/01/2024

All groups \$ 27.30

**OVERTIME PAY**

See (B, E, E2, Q) on OVERTIME PAGE

**HOLIDAY**

Paid: See (1) on HOLIDAY PAGE  
 Overtime: See (5, 6) on HOLIDAY PAGE

**REGISTERED APPRENTICES**

Wages per hour

1000 Hour terms at the following percentage of Journeyperson's basic hourly wage.

1st	2nd	3rd	4th
65 %	70 %	80 %	80 %

Supplemental Benefits per hour worked

07/01/2024

Apprentices \$ 27.30

1-190z2B

---

**Laborer - Heavy&Highway** **11/01/2024**

---

**JOB DESCRIPTION** Laborer - Heavy&Highway

**DISTRICT 1**

**ENTIRE COUNTIES**

Hamilton, Herkimer, Madison, Oneida

**PARTIAL COUNTIES**

Fulton: Only Townships of Stratford, Oppenheim, Caroga and Ephratah  
Montgomery: Only Townships of Minden, St. Johnsville, Canajoharie, Palatine and Root.

**WAGES**

GROUP # A: Basic, Drill Helper, Flagman, Outboard and Hand Boats.

GROUP # B: Bull Float, Chain Saw, Concrete Aggregate Bin, Concrete Bootmen, Gin Buggy, Hand or Machine Vibrator, Jack Hammer, Mason Tender, Mortar Mixer, Pavement Breaker, Handlers of all SteelMash, Small Generators for Laborers Tools, Installation of Bridge Drainage Pipe, Pipe Layers, Vibrator Type Rollers, Tamper, Drill Doctor, Tail or Screw Operator on Asphalt Paver, Water Pump Operators(1-1/2" and Single Diaphragm), Nozzle (Asphalt, Gunite, Seeding, and Sand Blasting), Laborers on Chain Link Fence Erection, Rock Splitter and Power Unit, Pusher Type Concrete Saw and all other Gas, Electric, Oil and Air Tool Operators, Wrecking Laborer.

GROUP # C: Rock or Drilling Machine Operators (only where a separate air compressor unit supplies power), Acetylene Torch Operators, Asphalt Raker and Powderman.

GROUP # D: Blasters, Form Setters (prefab curb radius), Stone or Granite Curb Setters.

GROUP # E: Employees performing hazardous waste removal, lead abatement and removal, or asbestos abatement and removal on a State and/or Federally designated waste site & where relevant State or Federal regulations require employees to use or wear forms of personal protection.

Per hour: 07/01/2024

Heavy/Highway Laborer:

GROUP # A	\$ 40.65
GROUP # B	40.85
GROUP # C	41.05
GROUP # D	41.25
GROUP # E	43.15

**SHIFT WORK**

All employees who work a single irregular workday that starts from 5:00 pm to 1:00 am on a governmental mandated night shift shall be paid an additional \$5.00 per hour.

**SUPPLEMENTAL BENEFITS**

Per hour: \$ 28.69

**OVERTIME PAY**

See (B, E, Q) on OVERTIME PAGE

**HOLIDAY**

Paid: See (5, 6) on HOLIDAY PAGE

Overtime: See (5, 6) on HOLIDAY PAGE

Note: If the holiday falls on Sunday, it will be celebrated on Monday. If the Monday Holiday is worked it will be paid at double time plus the Holiday pay. If the Holiday falls on a Saturday employer can choose to celebrate Saturday or give Friday off with pay. If the Saturday Holiday is worked it will be paid at double time plus the Holiday pay

**REGISTERED APPRENTICES**

Wages per hour

1000 hour terms at the following percentage of Journeyman's wage

1st	2nd	3rd	4th
65%	70%	80%	80%

SUPPLEMENTAL BENEFITS per hour worked

Apprentices \$ 28.69

1-190z2H/H

**Laborer - Tunnel**

**11/01/2024**

**JOB DESCRIPTION** Laborer - Tunnel

**DISTRICT 1**

**ENTIRE COUNTIES**

Albany, Fulton, Hamilton, Herkimer, Madison, Montgomery, Oneida, Rensselaer, Saratoga, Schenectady, Schoharie, Washington

**WAGES**

Class 1: All support laborers/sandhogs working above the shaft or tunnel

Class 2: All laborers/sandhogs working in the shaft or tunnel

Class 4: Safety Miners

Class 5: Site work related to Shaft/Tunnel

Per Hour  
07/01/2024

Class 1	\$ 47.20
Class 2	49.20
Class 4	51.45
Class 5	43.45

Toxic and hazardous waste, lead abatement and asbestos abatement work will be paid an additional \$ 3.00 an hour.

**SUPPLEMENTAL BENEFITS**

Per hour

Journeyworker \$ 29.15

**OVERTIME PAY**

See (B, E, Q, V) on OVERTIME PAGE

**HOLIDAY**

Paid: See (5, 6, 15, 25) on HOLIDAY PAGE

Overtime: See (5, 6, 15, 16, 25) on HOLIDAY PAGE

Note: When a holiday falls on Sunday, the following Monday shall be considered a holiday and all work performed on either day shall be at the double time rate. When a holiday falls on Saturday, the preceding Friday shall be considered a holiday and all work performed on either day shall be at the double time rate.

**REGISTERED APPRENTICES**

FOR APPRENTICE RATES, refer to the appropriate Laborer Heavy & Highway wage rate contained in the wage schedule for the County and Location where the work is to be performed.

1-190/157T

---

**Lineman Electrician**

**11/01/2024**

**JOB DESCRIPTION** Lineman Electrician

**DISTRICT 6**

**ENTIRE COUNTIES**

Albany, Allegany, Broome, Cattaraugus, Cayuga, Chautauqua, Chemung, Chenango, Clinton, Columbia, Cortland, Delaware, Dutchess, Erie, Essex, Franklin, Fulton, Genesee, Greene, Hamilton, Herkimer, Jefferson, Lewis, Livingston, Madison, Monroe, Montgomery, Niagara, Oneida, Onondaga, Ontario, Orange, Orleans, Oswego, Otsego, Putnam, Rensselaer, Rockland, Saratoga, Schenectady, Schoharie, Schuyler, Seneca, St. Lawrence, Steuben, Sullivan, Tioga, Tompkins, Ulster, Warren, Washington, Wayne, Wyoming, Yates

**WAGES**

A Lineman/Technician shall perform all overhead aerial work. A Lineman/Technician on the ground will install all electrical panels, connect all grounds, install and connect all electrical conductors, assembly of all electrical materials, conduit, pipe, or raceway; placing of fish wire; pulling of cables, wires or fiber optic cable through such raceways; splicing of conductors; dismantling of such structures, lines or equipment.

Crane Operators: Operation of any type of crane on line projects.

Crawler Backhoe: Operation of tracked excavator/crawler backhoe with 1/2 yard bucket or larger on line projects.

Digging Machine Operator: All other digging equipment and augering on line projects.

A Groundman/Truck Driver shall: Build and set concrete forms, handle steel mesh, set footer cages, transport concrete in a wheelbarrow, hand or machine concrete vibrator, finish concrete footers, mix mortar, grout pole bases, cover and maintain footers while curing in cold weather, operate jack hammer, operate hand pavement breaker, tamper, concrete and other motorized saws, as a drill helper, operate and maintain generators, water pumps, chainsaws, sand blasting, operate mulching and seeding machine, air tools, electric tools, gas tools, load and unload materials, hand shovel and/or broom, prepare and pour mastic and other fillers, assist digger operator/equipment operator in ground excavation and restoration, landscape work and painting. Only when assisting a lineman technician, a groundman/truck driver may assist in installing conduit, pipe, cables and equipment.

NOTE: Includes Teledata Work within ten (10) feet of High Voltage Transmission Lines. Also includes digging of holes for poles, anchors, footer, and foundations for electrical equipment.

Below rates applicable on all overhead and underground distribution and maintenance work, and all overhead and underground transmission line work and the installation of fiber optic cable where no other construction trades are or have been involved. Includes access matting for line work.

Per hour: 07/01/2024

Group A:	
Lineman, Technician	\$ 58.90
Crane, Crawler Backhoe	58.90
Welder, Cable Splicer	58.90



Group B:

Digging Mach. Operator	53.01
Tractor Trailer Driver	50.07
Groundman, Truck Driver	47.12
Equipment Mechanic	47.12
Flagman	35.34

Additional \$1.00 per hour for entire crew when a helicopter is used.

Below rates applicable on all electrical sub-stations, switching structures, fiber optic cable and all other work not defined as "Utility outside electrical work." Includes access matting for line work.

Group A:

Lineman, Technician	\$ 58.90
Crane, Crawler Backhoe	58.90
Cable Splicer	64.79
Certified Welder, Pipe Type Cable	61.85

Group B:

Digging Mach. Operator	53.01
Tractor Trailer Driver	50.07
Groundman, Truck Driver	47.12
Equipment Mechanic	47.12
Flagman	35.34

Additional \$1.00 per hour for entire crew when a helicopter is used.

Below rates applicable on all switching structures, maintenance projects, railroad catenary install/maintenance third rail installation, bonding of rails and pipe type cable and installation of fiber optic cable. Includes access matting for line work.

Group A:

Lineman, Tech, Welder	\$ 60.22
Crane, Crawler Backhoe	60.22
Cable Splicer	66.24
Certified Welder, Pipe Type Cable	63.23

Group B:

Digging Mach. Operator	54.20
Tractor Trailer Driver	51.19
Groundman, Truck Driver	48.18
Equipment Mechanic	48.18
Flagman	36.13

Additional \$1.00 per hour for entire crew when a helicopter is used.

Below rates applicable on all overhead and underground transmission line work & fiber optic cable where other construction trades are or have been involved. This applies to transmission line work only, not other construction. Includes access matting for line work.

Group A:

Lineman, Tech, Welder	\$ 61.41
Crane, Crawler Backhoe	61.41

Group B:

Digging Mach. Operator	55.27
Tractor Trailer Driver	52.20
Groundman, Truck Driver	49.13
Equipment Mechanic	49.13
Flagman	36.85

Additional \$1.00 per hour for entire crew when a helicopter is used.

**SHIFT WORK**

THE FOLLOWING RATES WILL APPLY ON ALL CONTRACTING AGENCY MANDATED MULTIPLE SHIFTS OF AT LEAST FIVE (5) DAYS DURATION WORKED BETWEEN THE HOURS LISTED BELOW:

1ST SHIFT	8:00 AM to 4:30 PM REGULAR RATE
2ND SHIFT	4:30 PM to 1:00 AM REGULAR RATE PLUS 17.3 %
3RD SHIFT	12:30 AM to 9:00 AM REGULAR RATE PLUS 31.4 %

**SUPPLEMENTAL BENEFITS**

Per hour: 07/01/2024

Group A \$ 30.90  
 \*plus 7% of the hourly wage paid

Group B \$ 26.90  
 \*plus 7% of the hourly wage paid

\*The 7% is based on the hourly wage paid, straight time or premium time.

**OVERTIME PAY**

See (B, E, Q, X) on OVERTIME PAGE. NOTE: Double time for all emergency work designated by the Dept. of Jurisdiction.

WAGE CAP - Double the straight time hourly base wage shall be the maximum hourly wage compensation for any hour worked. Contractor is still responsible to pay the hourly benefit amount for each hour worked.

**HOLIDAY**

Paid See ( 5, 6, 8, 13, 25 ) on HOLIDAY PAGE plus Governor of NYS Election Day.  
 Overtime See ( 5, 6, 8, 13, 25 ) on HOLIDAY PAGE plus Governor of NYS Election Day.

NOTE: All paid holidays falling on Saturday shall be observed on the preceding Friday. All paid holidays falling on Sunday shall be observed on the following Monday. Supplements for holidays paid at straight time.

**REGISTERED APPRENTICES**

WAGES per hour: 1000 hour terms at the following percentage of the applicable Journeyworker's Lineman wage.

1st	2nd	3rd	4th	5th	6th	7th
60%	65%	70%	75%	80%	85%	90%

SUPPLEMENTAL BENEFITS per hour: 07/01/2024

\$ 26.90  
 \*plus 7% of the hourly wage paid

\*The 7% is based on the hourly wage paid, straight time or premium time.

6-1249a

**Lineman Electrician - Teledata 11/01/2024**

**JOB DESCRIPTION** Lineman Electrician - Teledata

**DISTRICT 6**

**ENTIRE COUNTIES**

Albany, Allegany, Broome, Cattaraugus, Cayuga, Chautauqua, Chemung, Chenango, Clinton, Columbia, Cortland, Delaware, Dutchess, Erie, Essex, Franklin, Fulton, Genesee, Greene, Hamilton, Herkimer, Jefferson, Lewis, Livingston, Madison, Monroe, Montgomery, Niagara, Oneida, Onondaga, Ontario, Orange, Orleans, Oswego, Otsego, Putnam, Rensselaer, Rockland, Saratoga, Schenectady, Schoharie, Schuyler, Seneca, St. Lawrence, Steuben, Sullivan, Tioga, Tompkins, Ulster, Warren, Washington, Wayne, Westchester, Wyoming, Yates

**WAGES**

Per hour:

For outside work, stopping at first point of attachment (demarcation).

07/01/2024 01/01/2025

Cable Splicer	\$ 39.24	\$ 40.81
Installer, Repairman	\$ 37.24	\$ 38.73
Teledata Lineman	\$ 37.24	\$ 38.73
Tech., Equip. Operator	\$ 37.24	\$ 38.73
Groundman	\$ 19.74	\$ 20.53

NOTE: EXCLUDES Teledata work within ten (10) feet of High Voltage (600 volts and over) transmission lines. For this work please see LINEMAN.

**SHIFT WORK**

THE FOLLOWING RATES APPLY WHEN THE CONTRACTING AGENCY MANDATES MULTIPLE SHIFTS OF AT LEAST FIVE (5) DAYS DURATION ARE WORKED. WHEN TWO (2) OR THREE (3) SHIFTS ARE WORKED THE FOLLOWING RATES APPLY:

1ST SHIFT	REGULAR RATE
2ND SHIFT	REGULAR RATE PLUS 10%
3RD SHIFT	REGULAR RATE PLUS 15%

**SUPPLEMENTAL BENEFITS**

Per hour:	07/01/2024	01/01/2025
Journeyworker	\$ 5.70	\$ 5.70
	*plus 3% of the hour wage paid	*plus 3% of the hour wage paid

\*The 3% is based on the hourly wage paid, straight time rate or premium rate.

**OVERTIME PAY**

See (B, E, Q) on OVERTIME PAGE

WAGE CAP - Double the straight time hourly base wage shall be the maximum hourly wage compensation for any hour worked. Contractor is still responsible to pay the hourly benefit amount for each hour worked.

**HOLIDAY**

Paid: See (1) on HOLIDAY PAGE  
 Overtime: See (5, 6, 16) on HOLIDAY PAGE

6-1249LT - Teledata

---

**Lineman Electrician - Traffic Signal, Lighting** **11/01/2024**

---

**JOB DESCRIPTION** Lineman Electrician - Traffic Signal, Lighting **DISTRICT 6**

**ENTIRE COUNTIES**

Albany, Allegany, Broome, Cattaraugus, Cayuga, Chautauqua, Chemung, Chenango, Clinton, Cortland, Delaware, Erie, Essex, Franklin, Fulton, Genesee, Greene, Hamilton, Herkimer, Jefferson, Lewis, Livingston, Madison, Monroe, Montgomery, Niagara, Oneida, Onondaga, Ontario, Orleans, Oswego, Otsego, Rensselaer, Saratoga, Schenectady, Schoharie, Schuyler, Seneca, St. Lawrence, Steuben, Sullivan, Tioga, Tompkins, Warren, Washington, Wayne, Wyoming, Yates

**WAGES**

Lineman/Technician shall perform all overhead aerial work. A Lineman/Technician on the ground will install all electrical panels, connect all grounds, install and connect all electrical conductors which includes, but is not limited to road loop wires; conduit and plastic or other type pipes that carry conductors, flex cables and connectors, and to oversee the encasement or burial of such conduits or pipes.

Crane Operators: Operation of any type of crane on Traffic Signal/Lighting projects.  
 Crawler Backhoe: Operation of tracked excavator/crawler backhoe with 1/2 yard bucket or larger on Traffic Signal/Lighting projects.  
 Digging Machine Operator: All other digging equipment and augering on Traffic Signal/Lighting projects.

A Groundman/Truck Driver shall: Build and set concrete forms, handle steel mesh, set footer cages, transport concrete in a wheelbarrow, hand or machine concrete vibrator, finish concrete footers, mix mortar, grout pole bases, cover and maintain footers while curing in cold weather, operate jack hammer, operate hand pavement breaker, tamper, concrete and other motorized saws, as a drill helper, operate and maintain generators, water pumps, chainsaws, sand blasting, operate mulching and seeding machine, air tools, electric tools, gas tools, load and unload materials, hand shovel and/or broom, prepare and pour mastic and other fillers, assist digger operator/equipment operator in ground excavation and restoration, landscape work and painting. Only when assisting a lineman technician, a groundman/truck driver may assist in installing conduit, pipe, cables and equipment.

A flagger's duties shall consist of traffic control only.

Per hour:	07/01/2024
Group A:	
Lineman, Technician	\$ 50.54
Crane, Crawler Backhoe	50.54
Certified Welder	53.07
Group B:	
Digging Machine	45.49
Tractor Trailer Driver	42.96
Groundman, Truck Driver	40.43
Equipment Mechanic	40.43

Flagman 30.32

Above rates are applicable for installation, testing, operation, maintenance and repair on all Traffic Control (Signal) and Illumination (Lighting) projects, Traffic Monitoring Systems, and Road Weather Information Systems. Includes digging of holes for poles, anchors, footer foundations for electrical equipment; assembly of all electrical materials or raceway; placing of fish wire; pulling of cables, wires or fiber optic cable through such raceways; splicing of conductors; dismantling of such structures, lines or equipment.

**SHIFT WORK**

THE FOLLOWING RATES WILL APPLY ON ALL CONTRACTING AGENCY MANDATED MULTIPLE SHIFTS OF AT LEAST FIVE (5) DAYS DURATION WORKED BETWEEN THE HOURS LISTED BELOW:

1ST SHIFT	8:00 AM TO 4:30 PM	REGULAR RATE
2ND SHIFT	4:30 PM TO 1:00 AM	REGULAR RATE PLUS 17.3%
3RD SHIFT	12:30 AM TO 9:00 AM	REGULAR RATE PLUS 31.4%

**SUPPLEMENTAL BENEFITS**

Per hour worked:

07/01/2024

Group A \$ 30.90  
\*plus 7% of the hourly wage paid

Group B \$ 26.90  
\*plus 7% of the hourly wage paid

\*The 7% is based on the hourly wage paid, straight time or premium time.

**OVERTIME PAY**

See (B, E, Q, X) on OVERTIME PAGE. NOTE: Double time for all emergency work designated by the Dept. of Jurisdiction. WAGE CAP - Double the straight time hourly base wage shall be the maximum hourly wage compensation for any hour worked. Contractor is still responsible to pay the hourly benefit amount for each hour worked.

**HOLIDAY**

Paid: See ( 5, 6, 8, 13, 25 ) on HOLIDAY PAGE plus Governor of NYS Election Day.  
Overtime: See ( 5, 6, 8, 13, 25 ) on HOLIDAY PAGE plus Governor of NYS Election Day.

NOTE: All paid holidays falling on Saturday shall be observed on the preceding Friday. All paid holidays falling on Sunday shall be observed on the following Monday. Supplements for holidays paid at straight time.

**REGISTERED APPRENTICES**

WAGES per hour: 1000 hour terms at the following percentage of the applicable Journeyworker's Lineman wage.

1st	2nd	3rd	4th	5th	6th	7th
60%	65%	70%	75%	80%	85%	90%

SUPPLEMENTAL BENEFITS per hour:

07/01/2024

\$ 26.90  
\*plus 7% of the hourly wage paid

\*The 7% is based on the hourly wage paid, straight time or premium time.

6-1249a-LT

**Lineman Electrician - Tree Trimmer**

**11/01/2024**

**JOB DESCRIPTION** Lineman Electrician - Tree Trimmer

**DISTRICT 6**

**ENTIRE COUNTIES**

Albany, Allegany, Broome, Cattaraugus, Cayuga, Chautauqua, Chemung, Chenango, Clinton, Columbia, Cortland, Delaware, Dutchess, Erie, Essex, Franklin, Fulton, Genesee, Greene, Hamilton, Herkimer, Jefferson, Lewis, Livingston, Madison, Monroe, Montgomery, Niagara, Oneida, Onondaga, Ontario, Orange, Orleans, Oswego, Otsego, Putnam, Rensselaer, Rockland, Saratoga, Schenectady, Schoharie, Schuyler, Seneca, St. Lawrence, Steuben, Sullivan, Tioga, Tompkins, Ulster, Warren, Washington, Wayne, Wyoming, Yates

**WAGES**

Applies to line clearance, tree work and right-of-way preparation on all new or existing energized overhead or underground electrical, telephone and CATV lines. This also includes stump removal near underground energized electrical lines including telephone and CATV lines.

Per hour: 07/01/2024

Tree Trimmer	\$ 31.44
Equipment Operator	27.80
Equipment Mechanic	27.80
Truck Driver	23.15
Groundman	19.07
Flag person	15.00*

\*NOTE-Rate effective on 01/01/2025 - \$15.50 due to minimum wage increase.

**SUPPLEMENTAL BENEFITS**

Per hour:

07/01/2024

Journeyworker	\$ 10.48
	*plus 4.5% of the hourly wage paid

\* The 4.5% is based on the hourly wage paid, straight time rate or premium rate.

**OVERTIME PAY**

See (B, E, Q, X) on OVERTIME PAGE

WAGE CAP - Double the straight time hourly base wage shall be the maximum hourly wage compensation for any hour worked. Contractor is still responsible to pay the hourly benefit amount for each hour worked.

**HOLIDAY**

Paid: See (5, 6, 8, 15) on HOLIDAY PAGE

Overtime: See (5, 6, 8, 15, 16, 25) on HOLIDAY PAGE

NOTE: All paid holidays falling on a Saturday shall be observed on the preceding Friday. All paid holidays falling on a Sunday shall be observed on the following Monday.

6-1249TT

**Mason - Building**

**11/01/2024**

**JOB DESCRIPTION** Mason - Building

**DISTRICT** 12

**ENTIRE COUNTIES**

Herkimer, Jefferson, Lewis, Oneida, St. Lawrence

**PARTIAL COUNTIES**

Madison: Entire County except the Townships of Sullivan & Cazenovia

**WAGES**

Per hour 07/01/2024

Tile/Marble/Terrazzo

Setter	\$ 35.85
Finisher	28.52

**SUPPLEMENTAL BENEFITS**

Per hour worked

Journeyman Setters	\$ 20.01
Journeyman Finishers	19.30

**OVERTIME PAY**

See (B, E, E2, Q) on OVERTIME PAGE

**HOLIDAY**

Paid: See (1) on HOLIDAY PAGE

Overtime: See (5, 6) on HOLIDAY PAGE

**REGISTERED APPRENTICES**

Wages per hour

Hour terms at the following percentage of journeyman's wage

Setter:

1st term 500 hours	60%
2nd term 1000 hours	70%
3rd term 1000 hours	80%
4th term 1000 hours	85%
5th term 1000 hours	90%
6th term 1500 hours	95%

Finsher;

1st term 500 HOURS	70%
2ND term 1000 HOURS	80%
3RD term 1000 HOURS	90%
4TH term 1200 HOURS	95%

Supplemental Benefits per hour worked

Setter:

1st & 2nd Term	\$ 12.41
3rd & 4th Term	16.21
5th Term	18.11
6th Term	20.01

Finishers:

1st & 2nd Term	\$ 11.76
All others	15.53

12-2TS.2

**Mason - Building**

**11/01/2024**

**JOB DESCRIPTION** Mason - Building

**DISTRICT** 12

**ENTIRE COUNTIES**

Herkimer, Oneida

**PARTIAL COUNTIES**

Lewis: The townships of Lewis, Leyden, Osceola, Turin and West Turin  
 Madison: Entire County except the Townships of Sullivan and Cazenovia

**WAGES**

Per hour 07/01/2024

Bricklayer/Blocker	\$ 39.24
Cement Mason(Bldg)	39.24
Plasterer/Fireproofing*	39.24
Stone Mason	39.24
Concrete Cutter	39.24
Pointer/Caulker/Cleaner	39.24

Additional \$.25 per hr. for work in restricted radiation area of atomic plant.

Additional \$5.00 per day more for employees working on a two-point suspension scaffold (Pointer, Caulker, and Cleaner are excluded).

(\*)Fireproof on Structural only.

**SUPPLEMENTAL BENEFITS**

Per hour worked

Journeyman \$ 21.63

**OVERTIME PAY**

See (B, E, E2, Q) on OVERTIME PAGE

**HOLIDAY**

Paid: See (1) on HOLIDAY PAGE  
 Overtime: See (5, 6) on HOLIDAY PAGE

**REGISTERED APPRENTICES**

Wages per hour

750 hour terms at the following percentage of Journey's wage

1st	2nd	3rd	4th	5th	6th	7th	8th
60%	60%	65%	70%	75%	80%	85%	90%

Supplemental Benefits per hour worked:

All Terms \$21.63

12-2b.2

**Mason - Heavy&Highway**

**11/01/2024**

**JOB DESCRIPTION** Mason - Heavy&Highway

**DISTRICT** 12

**ENTIRE COUNTIES**

Albany, Cayuga, Clinton, Columbia, Essex, Franklin, Fulton, Greene, Hamilton, Herkimer, Jefferson, Lewis, Madison, Montgomery, Oneida, Oswego, Rensselaer, Saratoga, Schenectady, Schoharie, St. Lawrence, Warren, Washington

**PARTIAL COUNTIES**

Onondaga: For Heavy & Highway Cement Mason or Plaster Work in Onondaga County, refer to Mason-Heavy&Highway tag 1-2h/h on.

**WAGES**

Per hour

07/01/2024

Mason &  
Bricklayer

\$ 42.26

Additional \$1.00 per hour for work on any swing scaffold or staging suspended by means of ropes or cables.

**SUPPLEMENTAL BENEFITS**

Per hour worked

Journeyman

\$ 22.43

**OVERTIME PAY**

See (B, E, E2, Q) on OVERTIME PAGE

**HOLIDAY**

Paid: See (1) on HOLIDAY PAGE  
 Overtime: See (5, 6) on HOLIDAY PAGE

**REGISTERED APPRENTICES**

Wages per hour

750 HR TERMS at the following percent of Journeyman's wage

1st	2nd	3rd	4th	5th	6th	7th	8th
60%	60%	65%	70%	75%	80%	85%	90%

Supplemental Benefits per hour worked

0 to 500 Hours \$ 13.68  
 All Other 22.43

12-2hh.1

**Millwright**

**11/01/2024**

**JOB DESCRIPTION** Millwright

**DISTRICT** 2

**ENTIRE COUNTIES**

Clinton, Essex, Franklin, Hamilton, Jefferson, Lewis, Oneida, Onondaga, Oswego, St. Lawrence, Warren, Washington

**WAGES**

Per hour:

07/01/2024

07/01/2025

Additional

Building  
Heavy & Highway

\$ 36.32

\$ 3.00\*

39.82

3.00\*

\*To be allocated at a later date

NOTE ADDITIONAL PREMIUMS PAID FOR THE FOLLOWING WORK LISTED BELOW (amount subject to any overtime premiums):

- Certified Welders shall receive \$1.75 per hour in addition to the current Millwrights rate provided he/she is directed to perform certified welding.

- For Building work if a work site has been declared a hazardous site by the Owner and the use of protective gear (including, as a minimum, air purifying canister-type chemical respirators) are required, then that employee shall receive a \$1.50 premium per hour for Building work.

- For Heavy & Highway work if the work is performed at a State or Federally designated hazardous waste site where employees are required to wear protective gear, the employees performing the work shall receive an additional \$2.00 per hour over the millwright heavy and highway wage rate for all hours worked on the day protective gear was worn.
- An employee performing the work of a machinist shall receive \$2.00 per hour in addition to the current Millwrights rate. For the purposes of this premium to apply, a "machinist" is a person who uses a lathe, Bridgeport, milling machine or similar type of tool to make or modify parts.
- When performing work underground at 500 feet and below, the employee shall receive an additional \$1.00.

**SUPPLEMENTAL BENEFITS**

Per hour:

Journeyworker \$ 26.59

**OVERTIME PAY**

See (B, E, E2, Q) on OVERTIME PAGE

**HOLIDAY**

Paid: See (1) on HOLIDAY PAGE  
 Overtime: See (5, 6) on HOLIDAY PAGE

Note: Any holiday that falls on Sunday shall be observed the following Monday. Any holiday that falls on Saturday shall be observed the preceding Friday.

**REGISTERED APPRENTICES**

Wages per hour:

(1)year terms at the following percentage of Journeyworker's rate.

1st	2nd	3rd	4th
65%	75%	80%	90%

Supplemental Benefits per hour:

Apprentices:

1st term	\$ 11.89
2nd term	22.19
3rd term	23.65
4th term	25.13

2-1163.2

**Millwright**

**11/01/2024**

**JOB DESCRIPTION** Millwright

**DISTRICT 6**

**ENTIRE COUNTIES**

Albany, Allegany, Broome, Cattaraugus, Cayuga, Chautauqua, Chemung, Chenango, Clinton, Columbia, Cortland, Delaware, Erie, Essex, Franklin, Fulton, Genesee, Greene, Hamilton, Herkimer, Jefferson, Lewis, Livingston, Madison, Monroe, Montgomery, Niagara, Oneida, Onondaga, Ontario, Orleans, Oswego, Otsego, Rensselaer, Saratoga, Schenectady, Schoharie, Schuyler, Seneca, St. Lawrence, Steuben, Sullivan, Tioga, Tompkins, Ulster, Warren, Washington, Wayne, Wyoming, Yates

**WAGES**

THE FOLLOWING RATE APPLIES TO ANY GAS/STEAM TURBINE AND OR RELATED COMPONENT WORK, INCLUDING NEW INSTALLATIONS OR MAINTENANCE AND ANY/ALL WORK PERFORMED WITHIN THE PROPERTY LIMITS OF A NUCLEAR FACILITY.

Per hour:	07/01/2024	07/01/2025
Millwright - Power Generation	\$ 45.00	Additional \$2.50*

\* To be allocated at a later date.

NOTE: ADDITIONAL PREMIUMS PAID FOR THE FOLLOWING WORK LISTED BELOW (amount subject to any overtime premiums):

- Certified Welders shall receive an additional \$1.75 per hour provided they are directed to perform Certified Welding.
- If a work site has been declared a hazardous site by the Owner and the use of protective gear (including, as a minimum, air purifying canister-type chemical respirators) is required, then that employee shall receive an additional \$1.50 per hour.
- An employee performing the work of a machinist shall receive an additional \$2.00 per hour. For the purposes of this premium to apply, a "machinist" is a person who uses a lathe, Bridgeport, milling machine or similar type of tool to make or modify parts.
- When performing work underground at 500 feet and below, the employee shall receive an additional \$1.00 per hour.

**SUPPLEMENTAL BENEFITS**

Per hour paid:

Journeyworker \$ 27.95\*

\*NOTE: Subject to OT premium

**OVERTIME PAY**

See (B, E, E2, Q, V) on OVERTIME PAGE



**HOLIDAY**

Paid: See (1) on HOLIDAY PAGE  
Overtime: See (5, 6) on HOLIDAY PAGE

NOTE: Any holiday that falls on Sunday shall be observed the following Monday. Any holiday that falls on Saturday shall be observed the preceding Friday.

**REGISTERED APPRENTICES**

WAGES per hour: One year terms at the following percentage of Journeyworker's wage:

Appr. 1st year	65 %*
Appr. 2nd year	75 %*
Appr. 3rd year	80 %*
Appr. 4th year	90 %*

\*NOTE: Additional premium for the following work listed below:

Certified Welder	\$ 1.75
Hazardous Waste Work	1.50
Machinist	2.00
Underground (500' and below)	1.00

SUPPLEMENTAL BENEFITS per hour:

Appr. 1st year	\$ 11.89
Appr. 2nd year	23.14
Appr. 3rd year	24.74
Appr. 4th year	26.35

6-1163Power

**Operating Engineer - Building**

**11/01/2024**

**JOB DESCRIPTION** Operating Engineer - Building

**DISTRICT** 6

**ENTIRE COUNTIES**

Cayuga, Cortland, Jefferson, Lewis, Madison, Oneida, Onondaga, Oswego, Seneca, St. Lawrence, Tompkins

**WAGES**

NOTE:

---If a prime contract is let for site work only, meaning no buildings are involved in their site contract, the Heavy/Highway rates would be applicable. When a prime contract is let for site work and building excavation is part of that contract, the Building rates would be applicable for the Operators classification.

---In the event that equipment listed below is operated by robotic control, the classification covering the operation will be the same as if manually operated.

---If a second employee is required by the employer for operation of any covered machine, they shall be an Engineer Class C.

CLASS A1\*: All Cranes (A1 Includes Boom Trucks over 5 tons, Cableway, Cherry Picker, Derrick, Dragline, Dredge, Overhead Crane, Pile Driver, Tower Crane\*\*, Truck Crane, Whirlies).

CLASS A: Air Plako, Asphalt & Blacktop Roller, Automated Concrete Spreader (CMI or equivalent), Automated Fine Grade Machine (CMI), Backhoe, Barrel Shredder, Belt Placer, Blacktop Spreader (such as Barber-Greene & Blaw Knox), Blacktop Plant (automated), Blast or Rotary Drill (Truck or Cat mounted), Boom Trucks 5 ton and under, Burning Plant Operator, Caisson Auger, Central Mix Plant (automated), Concrete Pump, Crusher (Rock), De-watering Press, Diesel Power Unit, Dirt Filter Press with Operation Equipment, Dredge, Dual Drum Paver, Elevating Grader (self-propelled or towed), Elevator Hoist - Two Cage, Excavator - all purpose hydraulically operated, Fork Lift (Loed/Lull and other rough terrain type), Front End Loader (4 c.y. and over), Gradall, Grader (Power), Head Tower (Saurman or equal), Hoist (2 or 3 Drum), Hydroblaster (Laser Pump), Light Plants - Compressors and Generators, Locomotive, Maintenance Engineer, Maintenance Welder, Mine Hoist, Mucking Machine or Mole, Quarry Master or Equivalent, Refrigeration Equipment (for soil stabilization), Scraper, Sea Mule, Shovel, Side Boom, Slip Form Paver, Straddle Buggy (Ross Carrier, Lumber Carrier), Tractor Drawn Belt Type Loader (Euclid Loader), Trenching Machine (digging capacity of over 4ft. depth), Truck or Trailer Mounted Log Chipper (self-feeder), Tug Operator (Manned, rented equipment excluded), Tunnel Shovel, Vibro or Sonic Hammer Controls (when not mounted in proximity to Rig Operator), Work Boat Operator including LCM's.

CLASS B: "A" Frame Truck, Back Dumps, Blacktop Plant (non-automatic), Boring Machine, Bulldozer, Cage-Hoist, Central Mix Plant (non-automated), Compressor, Pump, Generator or Welding machine (when used in battery of not more than five (5)), Concrete Paver (single drum over 16'), Core boring machine, Drill Rigs - tractor mounted, Elevator - as material hoist, Farm Tractor (with or without accessories), Fork Lift (over 10 ton with or without attachments), Front End Loader (under 4 c.y.), Grout Pump, Guniting Machine, High Pressure Boiler (15 lbs. & over), Hoist (one drum), Hydraulic Breaking Hammer (Drop Hammer), Kolman Plant Loader (screening gravel), Maintenance Grease Man, Mixer for stabilized base - self-propelled (Seaman Mixer), Monorail Machine, Parapet Concrete or Pavement Grinder, Parts Man, Post Driver (truck or tractor mounted), Post Hole Digger (truck or tractor mounted), Power Sweeper (Wayne or similar), Pump-Crete or Squeeze-Crete, Road Widener (front end of Grader or self-propelled), Roller, Self-contained hydraulic bench drill, Shell Winder (motorized), Skid steer (Bobcat type loader), Snorkel (overhead arms), Snowblower control man, Tractor (with or without accessories), Trenching Machine (digging capacity of 4 ft. or less), Tugger Hoist, Vacuum Machine (self-propelled or mounted), Vibro Tamp, Well Drill / Well Point System (Submersible pumps when used in lieu of Well Point System), Winch (Motor driven), Winch Cat, Winch Truck.

CLASS C: Compressor (up to 500 cfm), Concrete Paver or Mixer (under 16'), Concrete Pavement Spreaders & Finishers (not automated), Conveyor (over 12 ft), Electric Submersible Pump (4" and over), Fine Grade Machine (not automated), Fireman, Fork Lift ("with or without" attachments, 10 ton and under), Form Tamper, Generator (2,500 watts and over), Hydraulic Pump, Mechanical Heaters (More than two (2) Mechanical Heaters or any Mechanical Heater or Heaters whose combined output exceeds 640,000 BTU per hour (manufacturer's rating) plus one self-contained heating unit - i.e. Sundog or Air Heat type - New Holland Hay Dryer type excluded), Mulching Machine, Oiler, Power Driven Welding Machine (300 amp and over, other than all electric. One Welding Machine under 300 amp will not require an engineer unless in a battery), Power Heaterman (hay dryer), Pumps (water and trash), Revinus Widener (road widener), Single Light Plant, Steam Cleaner or Jenny.

Per hour: Building	07/01/2024	07/01/2025
Class A1*	\$ 47.62	\$ 49.61
Class A	46.12	48.11
Class B	44.00	45.99
Class C	39.78	41.77

Additional \$2.50 per hour if work requires Personal Protective Equipment for hazardous waste site activities with a level C or over rating.

**(\*) TONNAGE PREMIUMS:**

- All cranes up to 64 ton capacity - A1 rate
- All cranes 65 ton to 110 ton capacity - A1 rate plus \$ 1.50
- All cranes 111 ton to 199 ton capacity - A1 rate plus \$ 2.00
- All cranes 200 ton to 399 ton capacity - A1 rate plus \$ 3.00
- All cranes 400 ton to 599 ton capacity - A1 rate plus \$ 4.00
- All cranes 600 ton to 799 ton capacity - A1 rate plus \$ 5.00
- All cranes 800 ton to 999 ton capacity - A1 rate plus \$ 6.00
- All cranes 1000 ton capacity and over - A1 rate plus \$ 7.00

(\*\*) Tower Cranes - A1 rate plus \$2.50 (no tonnage premiums apply)

**SUPPLEMENTAL BENEFITS**

Per hour:

Journeyworker	\$ 31.02	\$ 32.12
---------------	----------	----------

**OVERTIME PAY**

See (B, E, Q) on OVERTIME PAGE

**HOLIDAY**

Paid: See (5, 6) on HOLIDAY PAGE  
 Overtime: See (5, 6) on HOLIDAY PAGE

NOTE: If the holiday falls on Sunday, it will be celebrated on Monday.

**REGISTERED APPRENTICES**

WAGES per hour: One thousand hour terms at the following percentage of Journeyworker's CLASS A wage:

1st year	60%
2nd year	65%
3rd year	70%
4th year	80%

Additional \$2.50 per hour if work requires Personal Protective Equipment for hazardous waste site activities with a level C or over rating.

SUPPLEMENTAL BENEFITS per hour:

07/01/2024	07/01/2025
------------	------------

All Terms: \$ 30.95 \$ 32.05

6-158-545b.s

**Operating Engineer - Heavy&Highway**

**11/01/2024**

**JOB DESCRIPTION** Operating Engineer - Heavy&Highway

**DISTRICT** 6

**ENTIRE COUNTIES**

Cayuga, Cortland, Jefferson, Lewis, Madison, Oneida, Onondaga, Oswego, Seneca, St. Lawrence, Tompkins

**WAGES**

**NOTE:**

---In the event that equipment listed below is operated by robotic control, the classification covering the operation will be the same as if manually operated.

---If a second employee is required by the employer for operation of any covered machine, they shall be an Engineer Class C.

CLASS A1\*: All Cranes that require a NYS Crane License (Boom Truck, Cherry Picker, Derrick, Dragline, Overhead Crane (Gantry or Straddle Type), Pile Driver, Tower Cranes (including self erecting)\*\*, Truck Crane).

CLASS A: Asphalt Curb Machine (self-propelled, slipform); Asphalt Paver; Automated Concrete Spreader (CMI type); Automatic Fine Grader; Backhoe (except tractor mounted, rubber tired); Backhoe Excavator, Full Swing (CAT 212 or similar type); Back Filling Machine; Belt Placer (CMI type); Blacktop Plant (automated);Blacktop Roller; Bull Dozer being operated with active GPS; Cableway; Caisson Auger; Central Mix Concrete Plant (automated); Concrete Curb Machine (self-propelled, slipform); Concrete Pump; Cranes - listed in A1 that do not require a NYS Crane License; Directional Boring/Drilling Machine; Dredge; Dual Drum Paver; Excavator (all purpose-hydraulic, Gradall or similar); Front End Loader (4 cu. yd. & over); Head Tower (Sauerman or equal); Hoist (two or three drum); Holland Loader; Maintenance Engineer; Mine Hoist; Mucking Machine or Mole; Pavement Breaker (SP Wertgen; PB-4 and similar type); Profiler/Milling Machine (over 105 h.p.); Power Grader; Quad 9; Quarry Master (or equivalent); Rotating Telehandler; Scraper (including challenger type); Shovel; Side Boom; Slip Form Paver; Tractor Drawn Belt-Type Loader; Truck or Trailer Mounted Chipper (self-feeder); Tug Operator (manned rented equipment excluded); Tunnel Shovel.

CLASS B: Backhoe (tractor mounted, rubber tired); Bituminous Recycler Machine; Bituminous Spreader and Mixer; Blacktop Plant (non-automated); Blast or Rotary Drill (truck or tractor mounted); Boring Machine; Bridge Deck Finishing Machine; Brokk; Cage Hoist; Central Mix Plant (non-automated) and All Concrete Batching Plants; Concrete Paver (over 16'); Crawler Drill (self-contained); Crusher; Diesel Power Unit; Drill Rigs (truck or tractor mounted); Front End Loader (under 4 cu. yd.); Greaseman - Lubrication Engineer; HiPressure Boiler (15 lbs & over); Hoist (one drum); Hydro-Axe; Kolman Plant Loader & similar type loaders; Locomotive; Material Handling Knuckle Boom; Mini Excavators (under 18,000 lbs.); Mixer (for stabilized base, self-propelled); Monorail Machine; Profiler/Milling Machine (105 h.p. and under); Plant Engineer; Prentice Loader; Pug Mill; Pump Crete; Ready Mix Concrete Plant; Refrigeration Equipment (for soil stabilization); Road Widener; Roller (all above subgrade, See Class A for Blacktop Roller); Sea Mule; Self-contained ride-on Rock Drill (excluding Air-Track type drill); Skidder; Tractor with Dozer and/or Pusher; Trencher; Tugger Hoist; Vacuum Machine (mounted or towed); Vermeer Saws (ride-on, any size or type); Welder; Winch and Winch Cat; Work Boat Operator including L.C.M.'s.

CLASS C: "A" Frame Winch Hoist (On Truck); Aggregate Plant; Articulated Heavy Hauler; Asphalt or Concrete Grooving Machine (ride-on); Ballast Regulator (ride-on); Bituminous Heater (self-propelled); Boat (powered); Boiler (used in conjunction with production); Cement & Bin Operator; Compressors\*\*\*; Concrete Pavement Spreader and Finisher; Concrete Paver or Mixer (16' & under); Concrete Saw (self-propelled); Conveyor; Deck Hand; Directional Boring/Drilling Machine Locator; Drill (Core); Drill (Well); Dust Collectors\*\*\*; Electric Pump When Used in Conjunction with Well Point System; Farm Tractor with accessories; Fine Grade Machine; Fireman; Fork Lift; Form Tamper; Generators\*\*\*; Grout Pump; Gunite Machine; Hammers (hydraulic self-propelled); Heaters\*\*\*; Hydra-Spiker (ride-on); Hydraulic Pump (jacking system); Hydro-Blaster (water); Light Plants\*\*\*; Mulching Machine; Oiler; Parapet Concrete or Pavement Grinder; Post Hole Digger (excluding hand-held); Post Driver; Power Broom (towed); Power Heaterman; Power Sweeper; Pumps\*\*\*; Revinus Widener; Roller (subgrade & fill); Scarifier (ride-on); Shell Winder; Skid Steer Loader (Bobcat or similar, including all attachments); Span Saw (ride-on); Steam Cleaner; Tamper (ride-on); Tie Extractor (ride-on); Tie Handlers (ride-on); Tie Inserters (ride-on); Tie Spacers (ride-on); Tire Repair; Track Liner (ride-on); Tractor; Tractor (with towed accessories); Vacuum Machine (self-propelled); Vibratory Compactor; Vibro Tamp; Welding Machines\*\*\*; Well Point.

\*\*\*CLASS C NOTE: Considered Hands-Off (unmanned). Includes only operation and maintenance of the equipment.

Per hour: H/H	07/01/2024	07/01/2025
CLASS A1*	\$ 56.51	\$ 58.85
CLASS A	53.51	55.85
CLASS B	52.63	54.97
CLASS C	49.35	51.69

**(\*) TONNAGE PREMIUMS:**

- All cranes up to 64 ton capacity - A1 rate
- All cranes 65 ton to 110 ton capacity - A1 rate plus \$ 1.50
- All cranes 111 ton to 199 ton capacity- A1 rate plus \$ 2.00
- All cranes 200 ton to 399 ton capacity - A1 rate plus \$ 3.00

All cranes 400 ton to 599 ton capacity - A1 rate plus \$ 4.00  
All cranes 600 ton to 799 ton capacity - A1 rate plus \$ 5.00  
All cranes 800 ton to 999 ton capacity - A1 rate plus \$ 6.00  
All cranes 1000 ton capacity and over - A1 rate plus \$ 7.00

(\*\*) Tower Cranes - A1 rate plus \$3.00 (no tonnage premiums apply)

- Cranes in Luffer Configuration - A1 rate plus \$ 5.00  
- Cranes with external ballast (Tray or Wagon) - A1 rate plus \$ 5.00

Additional \$2.50 per hour for hazardous waste removal work on a State and/or Federally designated waste site which requires employees to wear Level C or above forms of personal protection.

**SHIFT WORK**

SINGLE IRREGULAR WORK SHIFT: Additional \$2.50 per hour for all employees who work a single irregular work shift starting from 5:00 PM to 1:00 AM that is mandated by the Contracting Agency.

**SUPPLEMENTAL BENEFITS**

Per hour:	07/01/2024	07/01/2025
Journeyworker	\$ 32.45	\$ 33.55

**OVERTIME PAY**

See (B, E, Q) on OVERTIME PAGE

**HOLIDAY**

Paid: See (5, 6) on HOLIDAY PAGE  
Overtime: See (5, 6) on HOLIDAY PAGE

NOTE: If a holiday falls on Sunday, it will be celebrated on Monday. If an employee works on this Monday, they shall be compensated at double time plus the holiday pay (triple time). If a holiday falls on a Saturday, employees who work a Saturday Holiday shall be paid double time plus the holiday pay.

**REGISTERED APPRENTICES**

WAGES per hour: One thousand hour terms at the following percentage of Journeyworker's CLASS B wage.

1st term	60%
2nd term	70%
3rd term	80%
4th Term	90%

Additional \$2.50 per hour for hazardous waste removal work on a State and/or Federally designated waste site which requires employees to wear Level C or above forms of personal protection.

SUPPLEMENTAL BENEFITS per hour: Same as Journeyworker

6-158-545h

**Operating Engineer - Survey Crew**

**11/01/2024**

**JOB DESCRIPTION** Operating Engineer - Survey Crew

**DISTRICT** 12

**ENTIRE COUNTIES**

Albany, Allegany, Broome, Cayuga, Chemung, Chenango, Clinton, Columbia, Cortland, Essex, Franklin, Fulton, Greene, Hamilton, Herkimer, Jefferson, Lewis, Livingston, Madison, Monroe, Montgomery, Oneida, Onondaga, Ontario, Oswego, Otsego, Rensselaer, Saratoga, Schenectady, Schoharie, Schuyler, Seneca, St. Lawrence, Steuben, Tioga, Tompkins, Warren, Washington, Wayne, Yates

**PARTIAL COUNTIES**

Dutchess: The northern portion of the county from the northern boundary line of the City of Poughkeepsie, north.  
Genesee: Only the portion of the county that lies east of a line down the center of Route 98 to include all area that lies within the City of Batavia.

**WAGES**

These rates apply to Building, Tunnel and Heavy Highway.

Per hour:

**SURVEY CLASSIFICATIONS:**

Party Chief - One who directs a survey party.  
Instrument Person - One who operates the surveying instruments.  
Rod Person - One who holds the rods and assists the Instrument Person.

07/01/2024

Party Chief	\$ 50,65
Instrument Person	46.54

Rod Person 34.55  
Additional \$3.00/hr. for Tunnel Work  
Additional \$2.50/hr. for Hazardous Work Site

**SUPPLEMENTAL BENEFITS**

Per hour worked:

Journeyman \$ 29.75

**OVERTIME PAY**

See (B, E, P, \*X) on OVERTIME PAGE

\*Note: \$25.10/Hr. Only for "ALL" premium hours paid when worked.

**HOLIDAY**

Paid: See (5, 6) on HOLIDAY PAGE

Overtime: See (5, 6) on HOLIDAY PAGE

**REGISTERED APPRENTICES**

WAGES: 1000 hour terms based on the Percentage of Rod Persons Wage:

07/01/2024

0-1000 60%  
1001-2000 70%  
2001-3000 80%

SUPPLEMENTAL BENEFIT per hour worked:

0-1000 \$ 21.53 / PHP \$18.45  
1001-2000 24.55 / " 20.45  
2001-3000 27.58/ " 22.93

NOTE: PHP is premium hours paid when worked.

12-158-545 D.H.H.

**Operating Engineer - Survey Crew - Consulting Engineer**

**11/01/2024**

**JOB DESCRIPTION** Operating Engineer - Survey Crew - Consulting Engineer

**DISTRICT** 12

**ENTIRE COUNTIES**

Albany, Allegany, Broome, Cayuga, Chemung, Chenango, Clinton, Columbia, Cortland, Essex, Franklin, Fulton, Greene, Hamilton, Herkimer, Jefferson, Lewis, Livingston, Madison, Monroe, Montgomery, Oneida, Onondaga, Ontario, Oswego, Otsego, Rensselaer, Saratoga, Schenectady, Schoharie, Schuyler, Seneca, St. Lawrence, Steuben, Tioga, Tompkins, Warren, Washington, Wayne, Yates

**PARTIAL COUNTIES**

Dutchess: The northern portion of the county from the northern boundary line of the City of Poughkeepsie, north.

Genesee: Only the portion of the county that lies east of a line down the center of Route 98 to include all area that lies within the City of Batavia.

**WAGES**

These rates apply to feasibility and preliminary design surveying, line and grade surveying for inspection or supervision of construction when performed under a Consulting Engineer Agreement.

Per hour:

SURVEY CLASSIFICATIONS:

Party Chief - One who directs a survey party.

Instrument Person - One who operates the surveying instruments.

Rod Person - One who holds the rods and assists the Instrument Person.

07/01/2024

Party Chief \$ 50.65  
Instrument Person 46.54  
Rod Person 34.55

Additional \$3.00/hr. for Tunnel Work.

Additional \$2.50/hr. for EPA or DEC certified toxic or hazardous waste work.

**SUPPLEMENTAL BENEFITS**

Per hour worked:

Journeyman \$ 29.75

**OVERTIME PAY**

See (B, E, Q, \*X) on OVERTIME PAGE

\*Note: \$25.10/Hr. Only for "ALL" premium hours paid when worked.

**HOLIDAY**

Paid: See (1) on HOLIDAY PAGE  
Overtime: See (5, 6) on HOLIDAY PAGE

**REGISTERED APPRENTICES**

WAGES: 1000 hour terms based on percentage of Rod Persons Wage:

07/01/2024

0-1000	60%
1001-2000	70%
2001-3000	80%

SUPPLEMENTAL BENEFIT per hour worked:

0-1000	\$ 21.53 / PHP \$18.45
1001-2000	\$ 24.55 / " 20.45
2001-3000	\$ 26.98 / " 22.93

NOTE: PHP is premium hours paid when worked.

12-158-545 DCE

**Operating Engineer - Tunnel**

**11/01/2024**

**JOB DESCRIPTION** Operating Engineer - Tunnel

**DISTRICT 7**

**ENTIRE COUNTIES**

Albany, Allegany, Broome, Cayuga, Chemung, Chenango, Clinton, Columbia, Cortland, Essex, Franklin, Fulton, Greene, Hamilton, Herkimer, Jefferson, Lewis, Livingston, Madison, Monroe, Montgomery, Oneida, Onondaga, Ontario, Oswego, Otsego, Rensselaer, Saratoga, Schenectady, Schoharie, Schuyler, Seneca, St. Lawrence, Steuben, Tioga, Tompkins, Warren, Washington, Wayne, Yates

**PARTIAL COUNTIES**

Dutchess: Northern part of Dutchess, to the northern boundary line of the City of Poughkeepie, then due east to Route 115 to Bedell Road, then east along Bedell Road to VanWagner Road, then north along VanWagner Road to Bower Road, then east along Bower Road to Rte. 44 east to Rte. 343, then along Rte. 343 east to the northern boundary of the Town of Dover Plains and east along the northern boundary of the Town of Dover Plains, to the borderline of the State of Connecticut.

Genesee: Only that portion of the county that lies east of a line drawn down the center of Route 98 and the entirety of the City of Batavia.

**WAGES**

CLASS A: Automatic Concrete Spreader (CMI Type); Automatic Fine Grader; Backhoe (except tractor mounted, rubber tired); Belt Placer (CMI Type); Blacktop Plant (automated); Cableway; Caisson Auger; Central Mix Concrete Plant (automated); Concrete Curb Machine (self-propelled slipform); Concrete Pump (8" or over); Dredge; Dual Drum Paver; Excavator; Front End Loader (4 cu. yd & over); Gradall; Head Tower (Sauerman or Equal); Hoist (shaft); Hoist (two or three Drum); Log Chipper/Loader (self-feeder); Maintenance Engineer (shaft and tunnel); any Mechanical Shaft Drill; Mine Hoist; Mining Machine(Mole and similar types); Mucking Machine or Mole; Overhead Crane (Gantry or Straddle Type); Pile Driver; Power Grader; Remote Controlled Mole or Tunnel Machine; Scraper; Shovel; Side Boom; Slip Form Paver (If a second man is needed, they shall be an Oiler); Tripper/Maintenance Engineer (shaft & tunnel); Tractor Drawn Belt-Type Loader; Tug Operator (manned rented equipment excluded); Tunnel Shovel.

CLASS B: Automated Central Mix Concrete Plant; Backhoe (topside); Backhoe (track mounted, rubber tired); Backhoe (topside); Bituminous Spreader and Mixer, Blacktop Plant (non-automated); Blast or Rotary Drill (truck or tractor mounted); Boring Machine; Cage Hoist; Central Mix Plant(non-automated); all Concrete Batching Plants; Compressors (4 or less exceeding 2,000 c.f.m. combined capacity); Concrete Pump; Crusher; Diesel Power Unit; Drill Rigs (tractor mounted); Front End Loader (under 4 cu. yd.); Grayco Epoxy Machine; Hoist (One Drum); Hoist (2 or 3 drum topside); Knuckle Boom material handler; Kolman Plant Loader & similar type Loaders (if employer requires another person to clean the screen or to maintain the equipment, they shall be an Oiler); L.C.M. Work Boat Operator; Locomotive; Maintenance Engineer (topside); Maintenance Grease Man; Mixer (for stabilized base-self-propelled); Monorail Machine; Plant Engineer; Personnel Hoist; Pump Crete; Ready Mix Concrete Plant; Refrigeration Equipment (for soil stabilization); Road Widener; Roller (all above sub-grade); Sea Mule; Shotcrete Machine; Shovel (topside); Tractor with Dozer and/or Pusher; Trencher; Tugger Hoist; Tunnel Locomotive; Vacuum Machine (mounted or towed); Welder; Winch; Winch Cat.

CLASS C: A Frame Truck; All Terrain Telescoping Material Handler; Ballast Regulator (ride-on); Compressors (4 not to exceed 2,000 c.f.m. combined capacity; or 3 or less with more than 1200 c.f.m. but not to exceed 2,000 c.f.m.); Compressors ((any size, but subject to other provisions for compressors), Dust Collectors, Generators, Pumps, Welding Machines, Light Plants (4 or any type combination)); Concrete Pavement Spreaders and Finishers; Conveyor; Drill (core); Drill (well); Electric Pump used in conjunction with Well Point System; Farm Tractor with Accessories; Fine Grade Machine; Fork Lift; Grout Pump (over 5 cu. ft.); Gunite Machine; Hammers (hydraulic-self-propelled); Hydra-Spiker (ride-on); Hydra-Blaster (water); Hydro-Blaster; Motorized Form Carrier; Post Hole Digger and Post Driver; Power Sweeper; Roller grade & fill); Scarifer (ride-on); Span-Saw (ride-on); Submersible Electric Pump (when used in lieu of well points); Tamper (ride-on); Tie-Extractor (ride-on), Tie Handler (ride-on), Tie Inserter (ride-on), Tie Spacer (ride-on); Track Liner (ride-on); Tractor with towed accessories; Vibratory Compactor; Vibro Tamp, Well Point.

CLASS D: Aggregate Plant; Cement & Bin Operator; Compressors (3 or less not to exceed 1,200 c.f.m. combined capacity); Compressors ((any size, but subject to other provisions for compressors), Dust Collectors, Generators, Pumps, Welding Machines, Light Plants (3 or less or any type or combination)); Concrete Saw (self-propelled); Form Tamper; Greaseman; Hydraulic Pump (jacking system); Junior Engineer; Light Plants; Mulching Machine; Oiler; Parapet Concrete or Pavement Grinder; Power Broom (towed); Power Heaterman (when used for production); Revinius Widener; Shell Winder; Steam Cleaner; Tractor.

Per hour:	07/01/2024	07/01/2025
CLASS A	\$ 55.91	\$ 58.44
CLASS B	54.69	57.22
CLASS C	51.90	54.43
CLASS D	48.89	51.42

Additional \$5.00 per hour for Hazardous Waste Work on a state or federally designated hazardous waste site where the Operating Engineer is in direct contact with hazardous material and when personal protective equipment is required for respiratory, skin and eye protection.

**CRANES:**

Crane 1: All cranes, including self-erecting.

Crane 2: All Lattice Boom Cranes and all cranes with a manufacturer's rating of fifty (50) ton and over.

Crane 3: All hydraulic cranes and derricks with a manufacturer's rating of forty nine (49) ton and below, including boom trucks.

Crane 1	\$ 59.91	\$ 62.44
Crane 2	58.91	61.44
Crane 3	57.91	60.44

**SUPPLEMENTAL BENEFITS**

Per hour:	\$ 25.05	\$ 25.90
	+ 9.85*	+ 10.10*

\* This portion of benefits subject to same premium rate as shown for overtime wages.

**OVERTIME PAY**

See (B, B2, E, Q, X) on OVERTIME PAGE

**HOLIDAY**

Paid: See (5, 6) on HOLIDAY PAGE

Overtime: See (5, 6) on HOLIDAY PAGE

NOTE: If a holiday falls on Sunday, it shall be observed on Monday.

**REGISTERED APPRENTICES**

WAGES:(1000) hours terms at the following percentage of Journeyworker's Class B wage.

1st term	60%
2nd term	65%
3rd term	70%
4th term	75%

SUPPLEMENTAL BENEFITS per hour: Same as Journeyworker

7-158-832TL.

**Painter**

**11/01/2024**

**JOB DESCRIPTION** Painter

**DISTRICT 3**

**ENTIRE COUNTIES**

Allegany, Broome, Cattaraugus, Cayuga, Chautauqua, Chemung, Chenango, Cortland, Delaware, Erie, Genesee, Herkimer, Jefferson, Lewis, Livingston, Madison, Monroe, Niagara, Oneida, Onondaga, Ontario, Orleans, Oswego, Otsego, Schuyler, Seneca, St. Lawrence, Steuben, Tioga, Tompkins, Wayne, Wyoming, Yates

**WAGES**

Per hour:	07/01/2024
Bridge	\$ 43.81
Tunnel	43.81
Tank*	41.81

For Bridge Painting Contracts, ALL WORKERS on and off the bridge (including Flagmen) are to be paid Painter's Rate; the contract must be ONLY for Bridge Painting.

Tank rate applies to indoor and outdoor tanks, tank towers, standpipes, digesters, waste water treatment tanks, chlorinator tanks, etc. Covers all types of tanks including but not limited to steel tanks, concrete tanks, fiberglass tanks, etc.

**SHIFT WORK**

Note an additional \$1.50 per hour is required when the contracting agency or project specification requires any shift to start prior to 6:00am or after 12:00 noon.

**SUPPLEMENTAL BENEFITS**

Per hour:

\$ 31.39

**OVERTIME PAY**

Exterior work only See ( B, E4, F\*, R ) on OVERTIME PAGE.

All other work See ( B, F\*, R ) on OVERTIME PAGE.

\*Note - Saturday is payable at straight time if the employee misses work, except where a doctor's or hospital verification of illness is produced Monday through Friday when work was available to the employee.

**HOLIDAY**

Paid: See (1) on HOLIDAY PAGE

Overtime: See (5, 6) on HOLIDAY PAGE

**REGISTERED APPRENTICES**

Wages per hour:

750 hour terms at the following wage:

1st	2nd	3rd	4th	5th	6th
\$ 24.00	\$ 26.00	\$ 28.00	\$ 30.00	\$ 34.00	\$ 38.00

Supplemental benefits per hour:

1st	2nd	3rd	4th	5th	6th
\$ 6.60	\$ 6.95	\$ 7.30	\$ 7.65	\$ 8.00	\$ 8.35

3-4-Bridge, Tunnel, Tank

**Painter**

**11/01/2024**

**JOB DESCRIPTION** Painter

**DISTRICT 6**

**ENTIRE COUNTIES**

Cayuga, Herkimer, Madison, Oneida, Onondaga, Seneca

**PARTIAL COUNTIES**

Lewis: Only the Townships of High Market, Lewis, Leyden, Lyonsdale, Osceola, Turin and West Turin.

Ontario: The City and Township of Geneva.

Oswego: Only the Townships of Amboy, Constantia, Williamstown and Oneida Lake.

**WAGES**

Per hour:

07/01/2024

Basic Rate (Brush & Roll)	\$ 27.27
Sign Painting	27.27
Lead Based Paint Abatement	27.27
Drywall Taper/ Finisher	28.02
Wallcovering	28.02
Drywall Machine Operator	28.52
Spray	27.77
Parking Lot, Hwy Striping	27.77
Epoxy (Brush-Roller)	27.77
Epoxy (Spray)	27.77
Sandblasting (Operator)	27.77
Boatswain Chair	27.77
Swing Scaffold	27.77
Structural Steel	27.77
(except bridges,tanks,tunnel)	
Coal Tar epoxy	28.77
Asbestos Encapsulation	29.47

NOTE - SEE BRIDGE PAINTER RATES FOR BRIDGES, TANKS, OR TUNNELS.

**SHIFT WORK**

FOR ANY SHIFT WHICH STARTS PRIOR TO 6:00 AM OR AFTER 3:00 PM, ALL EMPLOYEES WHO WORK A SINGLE IRREGULAR WORK SHIFT ON GOVERNMENTAL MANDATED WORK SHALL BE PAID AN ADDITIONAL \$2.00 PER HOUR ABOVE THE APPLICABLE WAGE SCALE.

**SUPPLEMENTAL BENEFITS**

Per hour:



Journeyworker \$ 26.53

**OVERTIME PAY**

See (B, \*F, R) on OVERTIME PAGE

\* NOTE - On exterior work only, if work was missed during the week due to inclement weather, Saturday may be worked at straight time.

**HOLIDAY**

Paid: See (1) on HOLIDAY PAGE

Overtime: See (5, 6) on HOLIDAY PAGE

NOTE: A holiday that falls on a Saturday will be celebrated on the preceding Friday. A holiday that falls on a Sunday will be celebrated on the following Monday.

**REGISTERED APPRENTICES**

WAGES per hour:

Painter/Decorator: 750 hour terms at the following wage rate:

1st	2nd	3rd	4th	5th	6th	7th	8th
\$ 18.00	\$ 18.50	\$ 19.00	\$ 19.50	\$ 20.00	\$ 21.00	\$ 22.00	\$ 23.00

Drywall Taper/ Finisher: 750 hour terms at the following wage rate:

1st	2nd	3rd	4th	5th	6th
\$ 20.00	\$ 20.50	\$ 21.00	\$ 21.50	\$ 22.00	\$ 23.00

SUPPLEMENTAL BENEFITS per hour:

Painter/Decorator:

1st	2nd	3rd	4th	5th	6th	7th	8th
\$ 6.50	\$ 6.50	\$ 7.50	\$ 7.50	\$ 10.50	\$ 10.50	\$ 13.00	\$ 13.00

Drywall Taper/ Finisher:

1st	2nd	3rd	4th	5th	6th
\$ 7.50	\$ 7.50	\$ 7.50	\$ 10.00	\$ 10.00	\$ 12.00

6-31

**Painter - Metal Polisher**

**11/01/2024**

**JOB DESCRIPTION** Painter - Metal Polisher

**DISTRICT 8**

**ENTIRE COUNTIES**

Albany, Allegany, Bronx, Broome, Cattaraugus, Cayuga, Chautauqua, Chemung, Chenango, Clinton, Columbia, Cortland, Delaware, Dutchess, Erie, Essex, Franklin, Fulton, Genesee, Greene, Hamilton, Herkimer, Jefferson, Kings, Lewis, Livingston, Madison, Monroe, Montgomery, Nassau, New York, Niagara, Oneida, Onondaga, Ontario, Orange, Orleans, Oswego, Otsego, Putnam, Queens, Rensselaer, Richmond, Rockland, Saratoga, Schenectady, Schoharie, Schuyler, Seneca, St. Lawrence, Steuben, Suffolk, Sullivan, Tioga, Tompkins, Ulster, Warren, Washington, Wayne, Westchester, Wyoming, Yates

**WAGES**

07/01/2024

Metal Polisher	\$ 39.33
Metal Polisher*	40.43
Metal Polisher**	43.33

\*Note: Applies on New Construction & complete renovation

\*\* Note: Applies when working on scaffolds over 34 feet.

**SUPPLEMENTAL BENEFITS**

Per Hour: 07/01/2024

Journeyworker:

All classification \$ 12.79

**OVERTIME PAY**

See (B, E, P, T) on OVERTIME PAGE

**HOLIDAY**

Paid: See (5, 6, 11, 15, 16, 25, 26) on HOLIDAY PAGE

Overtime: See (5, 6, 11, 15, 16, 25, 26) on HOLIDAY PAGE

**REGISTERED APPRENTICES**

Wages per hour:

One (1) year term at the following wage rates:

07/01/2024

1st year	\$ 19.67
2nd year	21.63
3rd year	23.60

1st year*	\$ 22.06
2nd year*	22.07

3rd year*	24.14
1st year**	\$ 22.17
2nd year**	24.13
3rd year**	26.10

\*Note: Applies on New Construction & complete renovation  
 \*\* Note: Applies when working on scaffolds over 34 feet.

Supplemental benefits:  
 Per hour:

1st year	\$ 8.69
2nd year	8.69
3rd year	8.69

8-8A/28A-MP

---

**Plumber** **11/01/2024**

---

**JOB DESCRIPTION** Plumber

**DISTRICT** 7

**ENTIRE COUNTIES**

Herkimer, Oneida

**PARTIAL COUNTIES**

Hamilton: Only the Town of Inlet.

Lewis: Towns of Lewis, Leyden, Lyonsdale, and West Turin.

Madison: Towns of Brookfield, Eaton, Fenner, Hamilton, Lebanon, Lenox, Lincoln, Madison, Nelson, Oneida, Smithfield, and Stockbridge.

Otsego: Towns of Cherry Valley, Exeter, Middlefield, Otsego, Plainfield, Richfield, Roseboom, and Springfield.

**WAGES**

Per hour:	07/01/2024	05/01/2025 Additional	05/01/2026 Additional
Plumber	\$ 43.65	\$ 3.35*	\$ 3.45*
Steamfitter	43.65	3.35*	3.45*

\*To be allocated at a later date

**SHIFT WORK**

Agency-mandated shift operations:

- Shift work shall start no earlier than 6AM Monday and will conclude no later than 9AM Saturday (overtime premiums applicable after 8 hours in a shift).
- Single irregular shiftwork, less than 3 consecutive days will be paid at the rate of time and one-half of the regular hourly rate.
- 3 consecutive work days or more:
  - First Shift - Regular hourly rate.
  - Second Shift - Regular hourly rate plus 12%.
  - Third Shift - Regular hourly rate plus 18%.

**SUPPLEMENTAL BENEFITS**

Per hour:

Journeyworker	\$ 14.90 + 17.85**
---------------	-----------------------

\*\* This portion of the benefit is subject to the SAME PREMIUM as shown for overtime on projects over \$100 million in total construction cost (including engineering & architecture).

**OVERTIME PAY**

See (B, E, Q, \*V) on OVERTIME PAGE

\*Portion of supplemental benefits subject to V code when project cost is over \$100 million (including engineering & architecture).

**HOLIDAY**

Paid: See (1) on HOLIDAY PAGE

Overtime: See (5, 6) on HOLIDAY PAGE

NOTE: If a holiday falls on Sunday, it will be observed the following day. If a holiday falls on Saturday, it will be observed that day unless so determined by the Federal Government to be celebrated on a different day.

**REGISTERED APPRENTICES**

WAGES: Yearly terms at the following percentages of Journeyworker's wage.

1st	2nd	3rd	4th	5th
50%	55%	60%	70%	85%

**SUPPLEMENTAL BENEFITS per hour:**

1st Term: \$ 14.90  
+ 8.35\*\*

All others: \$ 14.90  
+ 13.39\*\*

\*\* This portion of the benefit is subject to the SAME PREMIUM as shown for overtime on projects over \$100 million in total construction cost (including engineering & architecture).

7-112n-SF

**Roofer**

**11/01/2024**

**JOB DESCRIPTION** Roofer

**DISTRICT 6**

**ENTIRE COUNTIES**

Cayuga, Cortland, Franklin, Herkimer, Jefferson, Lewis, Madison, Oneida, Onondaga, Oswego, Seneca, St. Lawrence

**WAGES**

Per hour: 07/01/2024

Roofer, Waterproofer \$ 34.25

NOTE - Does not include metal roof flashings, gravel stop, or metal roofing; See Sheetmetal Worker wage schedule.

Additional per hour:

Green Roofing\*\* \$ 0.25

Pitch Removal & Appl. 1.50

Asbestos Abatement 1.50

\*\* Green Roofing is any component of green technology or living roof above the roof membrane including, but not limited to, the fabric, dirt and plantings.

**SHIFT WORK**

WHEN MANDATED BY THE OWNER OR CONTRACTING AGENCY, THERE IS AN ADDITIONAL PREMIUM OF \$4.00/HR FOR HOURS WORKED BEFORE 5:30AM AND AFTER 5:30PM.

**SUPPLEMENTAL BENEFITS**

Per hour:  
Journeyworker \$ 25.85

Additional contribution 0.75  
on any Asbestos Abatement work

**OVERTIME PAY**

See (B, E, E2\*, Q) on OVERTIME PAGE

\*NOTE - If a holiday falls in that week and 32 hours were worked, Saturday will be paid at 1 1/2 times the rate.

**HOLIDAY**

Paid: See (1) on HOLIDAY PAGE

Overtime: See (5, 6) on HOLIDAY PAGE

NOTE: When any of these holidays falls on Sunday, the following day shall be observed as a holiday.

**REGISTERED APPRENTICES**

WAGES per hour: 1000 hour terms at the following percentage of the Journeyworker's wage:

1st term (0 to 999) 65%

2nd term (1000 to 1999) 70%

3rd term (2000 to 2999) 75%

4th term (3000 to 3999) 85%

Additional per hour:

Green Roofing\*\* \$ 0.25

Pitch Removal & Appl. 1.50

Asbestos Abatement 1.50

**SUPPLEMENTAL BENEFITS per hour:**

1st term \$ 19.48

2nd term 21.40

3rd term 24.85

4th term	25.85
Additional contribution on any Asbestos Abatement work	\$ 0.75

6-195

**Sheetmetal Worker**

**11/01/2024**

**JOB DESCRIPTION** Sheetmetal Worker

**DISTRICT 6**

**ENTIRE COUNTIES**

Cayuga, Chenango, Cortland, Herkimer, Jefferson, Lewis, Madison, Oneida, Onondaga, Oswego, St. Lawrence

**WAGES**

Per hour:	07/01/2024
Sheetmetal Worker:	
** (under \$10 million)	\$ 35.25
** (over \$10 million)	\$ 36.25

\*\*For total cost of Sheetmetal contract only.

TO INCLUDE METAL ROOF FLASHINGS, GRAVEL STOP, AND METAL STANDING SEAM ROOFING.

**SUPPLEMENTAL BENEFITS**

Per hour:

Journeyworker	\$ 22.85
---------------	----------

**OVERTIME PAY**

See (B, E, Q) on OVERTIME PAGE

**HOLIDAY**

Paid: See (1) on HOLIDAY PAGE  
 Overtime: See (5, 6) on HOLIDAY PAGE

When any holiday falls on a Saturday, the Friday before such holiday shall be recognized as the legal holiday. Any holiday falling on Sunday, the following Monday shall be recognized as the legal holiday.

**REGISTERED APPRENTICES**

WAGES per hour: One year terms at the following percentage of Journeyworker's wage.

1st	2nd	3rd	4th	5th
45%	55%	65%	75%	85%

SUPPLEMENTAL BENEFITS per hour:

1st	2nd	3rd	4th	5th
\$13.53	\$14.60	\$15.66	\$17.77	\$18.84

6-58

**Sprinkler Fitter**

**11/01/2024**

**JOB DESCRIPTION** Sprinkler Fitter

**DISTRICT 1**

**ENTIRE COUNTIES**

Allegany, Broome, Cattaraugus, Cayuga, Chautauqua, Chemung, Chenango, Clinton, Columbia, Cortland, Delaware, Erie, Essex, Franklin, Fulton, Genesee, Greene, Hamilton, Herkimer, Jefferson, Lewis, Livingston, Madison, Monroe, Montgomery, Niagara, Oneida, Onondaga, Ontario, Orleans, Oswego, Otsego, Schoharie, Schuyler, Seneca, St. Lawrence, Steuben, Tioga, Tompkins, Washington, Wayne, Wyoming, Yates

**WAGES**

Per hour	07/01/2024
Sprinkler Fitter	\$ 42.00

**SUPPLEMENTAL BENEFITS**

Per hour

Journeyworker	\$ 28.82
---------------	----------

**OVERTIME PAY**

See (B, E, Q) on OVERTIME PAGE

**HOLIDAY**

Paid: See (1) on HOLIDAY PAGE

Overtime: See (5, 6) on HOLIDAY PAGE

Note: When a holiday falls on Sunday, the following Monday shall be considered a holiday and all work performed on either day shall be at the double time rate. When a holiday falls on Saturday, the preceding Friday shall be considered a holiday and all work performed on either day shall be at the double time rate.

**REGISTERED APPRENTICES**

Wages per hour

One Half Year terms at the following wage.

1st	2nd	3rd	4th	5th	6th	7th	8th	9th	10th
\$ 20.03	\$ 22.26	\$ 24.24	\$ 26.46	\$ 28.69	\$ 30.91	\$ 33.14	\$ 35.37	\$ 37.59	\$ 39.82

Supplemental Benefits per hour

1st	2nd	3rd	4th	5th	6th	7th	8th	9th	10th
\$ 9.18	\$ 9.18	\$ 20.90	\$ 20.90	\$ 21.15	\$ 21.15	\$ 21.15	\$ 21.15	\$ 21.15	\$ 21.15

1-669

**Teamster - Building** **11/01/2024**

**JOB DESCRIPTION** Teamster - Building

**DISTRICT** 1

**ENTIRE COUNTIES**

Hamilton, Herkimer, Oneida

**PARTIAL COUNTIES**

Chenango: Entire county except the Townships of Afton, Bainbridge, Coventry, Greene, Guilford, Oxford and Smithville.

Lewis: Only the Township of Grieg, Lewis, Leyden, Lowville, Lyonsdale, Martinsburg, Turin, West Turin and Watson.

Madison: Only the Townships of Brookfield, Eaton, Hamilton, Lebanon, Lincoln, Madison, Smithfield, Stockbridge and the City of Oneida

Otsego: Entire county EXCEPT Townships of Butternuts, Laurens, Maryland, Milford, Morris, Oneonta, Otego, Unidilla and Worchester.

**WAGES**

GROUP # A:

Straight trucks, winch, transit mix on the site, road oilers, dump trucks, pick-ups, panel, water trucks, fuel trucks on the site (including nozzle).

GROUP # B:

Low boy or Low boy trailer, Euclids or similar equipment.

WAGES per hour

	07/01/2024	07/01/2025
--	------------	------------

Group A	\$ 31.44	\$ 34.65
Group B	31.74	34.95

**SUPPLEMENTAL BENEFITS**

Per hour

Journeyworker	\$ 28.58	\$ 29.56
---------------	----------	----------

**OVERTIME PAY**

See (B, E, E2, Q) on OVERTIME PAGE

**HOLIDAY**

Paid: See (1) on HOLIDAY PAGE

Overtime: See (5, 6) on HOLIDAY PAGE

Note: Any holiday which occurs on Sunday shall be observed the following Monday.

1-294z2

**Teamster - Heavy&Highway** **11/01/2024**

**JOB DESCRIPTION** Teamster - Heavy&Highway

**DISTRICT** 1

**ENTIRE COUNTIES**

Albany, Columbia, Fulton, Greene, Hamilton, Herkimer, Montgomery, Oneida, Rensselaer, Saratoga, Schenectady, Schoharie, Washington

**PARTIAL COUNTIES**

Chenango: Entire county except the Townships of Afton, Bainbridge, Coventry, Greene, Guilford, Oxford and Smithville.

Lewis: Only the Township of Grieg, Lewis, Leyden, Lowville, Lyonsdale, Martinsburg, Turin, West Turin and Watson.

Madison: Only the Townships of Brookfield, Eaton, Hamilton, Lebanon, Lincoln, Madison, Smithfield, Stockbridge and the City of Oneida

Otsego: Entire county EXCEPT Townships of Butternuts, Laurens, Maryland, Milford, Morris, Oneonta, Otego, Unidilla and Worchester.

Warren: Only the Townships of Bolton, Warrensburg, Thurman, Stony Creek, Luzerne, Caldwell (Lake George), and Queensbury.

**WAGES**

**GROUP #1:**

Warehousemen, Yardmen, Truck Helpers, Pickups, Panel Trucks, Flatboy Material Trucks(straight jobs), Single Axel Dump Trucks, Dumpsters, Material Checkers and Receivers, Greasers, Truck Tiremen, Mechanics Helpers and Parts Chasers.

**GROUP #2:**

Tandems and Batch Trucks, Mechanics, Dispatcher.

**GROUP #3:**

Semi-Trailers, Low-boy Trucks, Asphalt Distributor Trucks, and Agitator, Mixer Trucks and dumpcrete type vehicles, Truck Mechanic, Fuel Trucks.

**GROUP #4:**

Specialized Earth Moving Equipment, Euclid type, or similar off-highway, where not self-loading, Straddle (Ross) Carrier, and self-contained concrete mobile truck.

**GROUP #5:**

Off-highway Tandem Back-Dump, Twin Engine Equipment and Double-Hitched Equipment where not self-loading.

WAGES per hour 07/01/2024

Group #1	\$ 39.75
Group #2	39.81
Group #3	39.90
Group #4	40.03
Group #5	40.19

Hazardous waste projects that require a Level C or greater protection shall be paid an additional \$ 1.00 per hour.

**SHIFT WORK**

All employees who work a single irregular work shift starting between 5pm and 1 am on governmental mandated night shifts shall be paid an additional \$1.50 per hour.

**SUPPLEMENTAL BENEFITS**

Per hour:

\$ 28.97  
+\$1.00 per\*  
hour worked

(\*) not applicable to paid holidays

**OVERTIME PAY**

See (B, E, Q) on OVERTIME PAGE

**HOLIDAY**

Paid: See (5, 6) on HOLIDAY PAGE  
Overtime: See (5, 6) on HOLIDAY PAGE

1-294h/h

**Welder**

**11/01/2024**

**JOB DESCRIPTION** Welder

**DISTRICT 1**

**ENTIRE COUNTIES**

Albany, Allegany, Bronx, Broome, Cattaraugus, Cayuga, Chautauqua, Chemung, Chenango, Clinton, Columbia, Cortland, Delaware, Dutchess, Erie, Essex, Franklin, Fulton, Genesee, Greene, Hamilton, Herkimer, Jefferson, Kings, Lewis, Livingston, Madison, Monroe, Montgomery, Nassau, New York, Niagara, Oneida, Onondaga, Ontario, Orange, Orleans, Oswego, Otsego, Putnam, Queens, Rensselaer, Richmond, Rockland, Saratoga, Schenectady, Schoharie, Schuyler, Seneca, St. Lawrence, Steuben, Suffolk, Sullivan, Tioga, Tompkins, Ulster, Warren, Washington, Wayne, Westchester, Wyoming, Yates

**WAGES**

Per hour 07/01/2024

Welder: To be paid the same rate of the mechanic performing the work.\*

\*EXCEPTION: If a specific welder certification is required, then the 'Certified Welder' rate in that trade tag will be paid.

**OVERTIME PAY**

**HOLIDAY**

1-As Per Trade

**Oneida County Residential**

**Electrician - Residential**

**11/01/2024**

**JOB DESCRIPTION** Electrician - Residential

**DISTRICT** 6

**ENTIRE COUNTIES**

Cortland, Herkimer, Madison, Oneida, Oswego

**PARTIAL COUNTIES**

Cayuga: Townships of Ira, Locke, Sempronius, Sterling, Summerhill and Victory.

Chenango: Only the Townships of Columbus, New Berlin and Sherburne.

Onondaga: Entire County except Townships of Elbridge and Skaneateles.

Otsego: Only the Townships of Plainfield, Richfield, Springfield, Cherry Valley, Roseboom, Middlefield, Otsego, Exeter, Edmeston, Burlington, Pittsfield and New Lisbon.

Tompkins: Only the Township of Groton.

Wayne: Only the Townships of Huron, Wolcott, Rose and Butler.

**WAGES**

NOTE: These rates apply only to projects involving construction, alteration or repair of single-family houses or apartment buildings of no more than four (4) stories in height, including all incidental items such as site work, parking areas, utilities, and sidewalks.

Per hour: 07/01/2024  
Residential-Rehab  
Electrician \$ 25.85

**SUPPLEMENTAL BENEFITS**

Per hour:

Journeyworker \$ 15.34 plus  
3% of hourly  
wage paid\*

\*NOTE: The 3% is based on the hourly wage paid, straight time rate or premium rate.

**OVERTIME PAY**

See (B,E,Q) on OVERTIME PAGE

WAGE CAP - Double the straight time hourly base wage shall be the maximum hourly wage compensation for any hour worked. Contractor is still responsible to pay the hourly benefit amount for each hour worked.

**HOLIDAY**

Paid: See (1) on HOLIDAY PAGE

Overtime: See (5, 6, 15, 26) on HOLIDAY PAGE

NOTE: If any of the above holidays fall on a Sunday, Monday shall be observed as the holiday.

**REGISTERED APPRENTICES**

WAGES per hour: Hourly terms at the following percentage of Journeyworker's wage.  
07/01/2024

1st period 65% (0-1000 hrs.)	\$ 16.80
2nd period 65% (1001-2000)	16.80
3rd period 75% (2001-3500)	19.40
4th period 85% (3501-5000)	22.00

SUPPLEMENTAL BENEFITS per hour:

1st period	\$ 14.34 plus *3% of hourly wage paid
2nd period	\$ 14.34 plus *3% of hourly wage paid
3rd period	\$ 15.34 plus *3% of hourly wage paid
4th period	\$ 15.34 plus *3% of hourly wage paid

NOTE: The 3% is based on the hourly wage paid, straight time rate or premium rate.

**Laborer - Residential**

**11/01/2024**

**JOB DESCRIPTION** Laborer - Residential

**DISTRICT 1**

**ENTIRE COUNTIES**

Hamilton, Herkimer, Madison, Oneida

**PARTIAL COUNTIES**

Fulton: Only the Townships of Stratford, Caroga, Oppenheim and Ephratah.  
Montgomery: Only the Townships of Minden, Palatine, Canajoharie, Root and St. Johnsville.

**WAGES**

\*\*\*IMPORTANT NOTE: This shall apply to all rehabilitation work on residential structures. "Rehabilitation" shall be defined to include all work, including demolition, repair and alteration on any existing structure which is intended for residential use. On new housing, shall be applicable only to site construction of all new work done by the Employer on one (1) family, two (2) family, row housing and garden type homes or apartments which are not more than four (4) stories above ground level and are used as dwellings.\*\*\*

Per hour: 07/01/2024

Residential Laborer \$ 24.48  
Hazardous Waste Removal 34.14  
Asbestos & Lead Removal 34.14

**SUPPLEMENTAL BENEFITS**

Per hour: 07/01/2024  
Residential Laborer \$ 27.30

**OVERTIME PAY**

See ( B,E,E2\*\*,Q ) on OVERTIME PAGE.  
\*\* When an employee has worked between 16 and 32 hours.

**HOLIDAY**

Paid: See (1) on HOLIDAY PAGE  
Overtime: See (5, 6) on HOLIDAY PAGE

**REGISTERED APPRENTICES**

Wages per hour  
1000 Hour terms at the following percentage of Journeyperson's basic hourly wage.

1st	2nd	3rd	4th
65 %	70 %	80 %	80 %

Apprentices \$ 27.30

1-190z2r

**Mason - Residential**

**11/01/2024**

**JOB DESCRIPTION** Mason - Residential

**DISTRICT 12**

**ENTIRE COUNTIES**

Herkimer, Oneida

**PARTIAL COUNTIES**

Lewis: The townships of Osceola, Lewis, Leyden, Turin & West Turin.  
Madison: Entire county except the Townships of Sullivan & Cazenovia.

**WAGES**

\*\*\*IMPORTANT NOTE: Applies to the construction of one family, two family row housing, townhouses, apartments, condominiums and garden type projects or a combination thereof, together with related service buildings and facilities which construction work may be performed wholly on-site or may consist of the assembly of off-site produced modules or components but any of which living units are in the finished form no more than four (4) stories high and are to be used as dwellings.\*\*\*

Per hour 07/01/2024

Mason \$ 23.17

**SUPPLEMENTAL BENEFITS**

Per hour worked  
Journeyman \$ 17.50

**OVERTIME PAY**



See (B, E2, H) on OVERTIME PAGE

**HOLIDAY**

Paid: See (1) on HOLIDAY PAGE  
Overtime: See (5, 6) on HOLIDAY PAGE

12-2r.z2

**Sheetmetal Worker - Residential 11/01/2024**

**JOB DESCRIPTION** Sheetmetal Worker - Residential **DISTRICT 6**

**ENTIRE COUNTIES**

Cayuga, Chenango, Cortland, Herkimer, Jefferson, Lewis, Madison, Oneida, Onondaga, Oswego, St. Lawrence

**WAGES**

\*\*\*IMPORTANT NOTE: Residential work shall be defined as applying to any single family dwelling or multiple family dwelling up to four(4) stories where each individual family apartment is individually air conditioned and/or heated by a separate and independent unit or system.\*\*\*

Per hour: 07/01/2024

Residential:

HVAC Tech (installs & services) \$ 27.00  
Journeyworker (installs only) 23.00

TO INCLUDE METAL ROOF FLASHINGS, GRAVEL STOP, AND METAL STANDING SEAM ROOFING.

**SUPPLEMENTAL BENEFITS**

Per hour:

Tech & Journeyworker \$ 5.69

**OVERTIME PAY**

See (B, E, Q) on OVERTIME PAGE

**HOLIDAY**

Paid: See (1) on HOLIDAY PAGE  
Overtime: See (5, 6) on HOLIDAY PAGE

6-58r

**Sprinkler Fitter - Residential 11/01/2024**

**JOB DESCRIPTION** Sprinkler Fitter - Residential **DISTRICT 1**

**ENTIRE COUNTIES**

Allegany, Broome, Cattaraugus, Cayuga, Chautauqua, Chemung, Chenango, Clinton, Columbia, Cortland, Delaware, Erie, Essex, Franklin, Fulton, Genesee, Greene, Hamilton, Herkimer, Jefferson, Lewis, Livingston, Madison, Monroe, Montgomery, Niagara, Oneida, Onondaga, Ontario, Orleans, Oswego, Otsego, Schoharie, Schuyler, Seneca, St. Lawrence, Steuben, Tioga, Tompkins, Washington, Wayne, Wyoming, Yates

**WAGES**

\*\*\*IMPORTANT NOTE: "Residential fire protection work" is applicable to one or two family dwellings, all multiple family dwelling units which are permitted to have a single exterior up to and including four stories, townhouses with units stacked vertically up to and including four stories and group residential care facilities and protective care homes (sheltered housing), not to include nursing homes or ambulatory care facilities.\*\*\*

Per hour 07/01/2024

Sprinkler Fitter \$ 33.39

**SUPPLEMENTAL BENEFITS**

Per hour

Journeyworker \$ 28.82

**OVERTIME PAY**

See (B, H) on OVERTIME PAGE

**HOLIDAY**

Paid: See (1) on HOLIDAY PAGE  
Overtime: See (5, 6) on HOLIDAY PAGE

Note: When a holiday falls on Sunday, the following Monday shall be considered a holiday and all work performed on either day shall be at the double time rate. When a holiday falls on Saturday, the preceding Friday shall be considered a holiday and all work performed on either day shall be at the double time rate.

1-669r

**Teamster - Residential**

**11/01/2024**

**JOB DESCRIPTION** Teamster - Residential

**DISTRICT 1**

**ENTIRE COUNTIES**

Hamilton, Herkimer, Oneida

**PARTIAL COUNTIES**

Chenango: Entire county except the Townships of Afton, Bainbridge, Coventry, Greene, Guilford, Oxford and Smithville.

Lewis: Only the Township of Grieg, Lewis, Leyden, Lowville, Lyonsdale, Martinsburg, Turin, West Turin and Watson.

Madison: Only the Townships of Brookfield, Eaton, Hamilton, Lebanon, Lincoln, Madison, Smithfield, Stockbridge and the City of Oneida

Otsego: Entire county EXCEPT Townships of Butternuts, Laurens, Maryland, Milford, Morris, Oneonta, Otego, Unidilla and Worchester.

**WAGES**

\*\*\*IMPORTANT NOTE: Applies to all rehabilitation work on residential structures. "Rehabilitation" shall be defined to include all work, including demolition, repair and alteration on any existing structure which is intended for residential use. On new housing, applicable only to site construction of all new work done by the Employer on one (1) family, two (2) family, row housing and garden type homes or apartments which are not more than four (4) stories above ground level and are used as dwellings.\*\*\*

**GROUP # A:**

Straight trucks, winch, transit mix on the site, road oilers, dump trucks, pick-ups, panel, water trucks, fuel trucks on the site (including nozzle).

**GROUP # B:**

Low boy or Low boy trailer, Euclids or similar equipment.

**WAGES per hour**

07/01/2024

Group A	\$ 23.58
Group B	23.81

**SUPPLEMENTAL BENEFITS**

Per hour

Journeyworker \$ 28.58

**OVERTIME PAY**

See (B, E2, H) on OVERTIME PAGE

**HOLIDAY**

Paid: See (1) on HOLIDAY PAGE

Overtime: See (\*5, 6) on HOLIDAY PAGE

\*Labor Day, if worked, shall be paid at double time rate

Note: Any holiday which occurs on Sunday shall be observed the following Monday.

1-294z2r

## Overtime Codes

Following is an explanation of the code(s) listed in the OVERTIME section of each classification contained in the attached schedule. Additional requirements may also be listed in the HOLIDAY section.

NOTE: Supplemental Benefits are 'Per hour worked' (for each hour worked) unless otherwise noted

- ( AA ) Time and one half of the hourly rate after 7 and one half hours per day
- ( A ) Time and one half of the hourly rate after 7 hours per day
- ( B ) Time and one half of the hourly rate after 8 hours per day
- ( B1 ) Time and one half of the hourly rate for the 9th & 10th hours week days and the 1st 8 hours on Saturday.  
Double the hourly rate for all additional hours
- ( B2 ) Time and one half of the hourly rate after 40 hours per week
- ( C ) Double the hourly rate after 7 hours per day
- ( C1 ) Double the hourly rate after 7 and one half hours per day
- ( D ) Double the hourly rate after 8 hours per day
- ( D1 ) Double the hourly rate after 9 hours per day
- ( E ) Time and one half of the hourly rate on Saturday
- ( E1 ) Time and one half 1st 4 hours on Saturday; Double the hourly rate all additional Saturday hours
- ( E2 ) Saturday may be used as a make-up day at straight time when a day is lost during that week due to inclement weather
- ( E3 ) Between November 1st and March 3rd Saturday may be used as a make-up day at straight time when a day is lost during that week due to inclement weather, provided a given employee has worked between 16 and 32 hours that week
- ( E4 ) Saturday and Sunday may be used as a make-up day at straight time when a day is lost during that week due to inclement weather
- ( E5 ) Double time after 8 hours on Saturdays
- ( F ) Time and one half of the hourly rate on Saturday and Sunday
- ( G ) Time and one half of the hourly rate on Saturday and Holidays
- ( H ) Time and one half of the hourly rate on Saturday, Sunday, and Holidays
- ( I ) Time and one half of the hourly rate on Sunday
- ( J ) Time and one half of the hourly rate on Sunday and Holidays
- ( K ) Time and one half of the hourly rate on Holidays
- ( L ) Double the hourly rate on Saturday
- ( M ) Double the hourly rate on Saturday and Sunday
- ( N ) Double the hourly rate on Saturday and Holidays
- ( O ) Double the hourly rate on Saturday, Sunday, and Holidays
- ( P ) Double the hourly rate on Sunday
- ( Q ) Double the hourly rate on Sunday and Holidays
- ( R ) Double the hourly rate on Holidays
- ( S ) Two and one half times the hourly rate for Holidays

- ( S1 ) Two and one half times the hourly rate the first 8 hours on Sunday or Holidays One and one half times the hourly rate all additional hours.
- ( T ) Triple the hourly rate for Holidays
- ( U ) Four times the hourly rate for Holidays
- ( V ) Including benefits at SAME PREMIUM as shown for overtime
- ( W ) Time and one half for benefits on all overtime hours.
- ( X ) Benefits payable on Paid Holiday at straight time. If worked, additional benefit amount will be required for worked hours. (Refer to other codes listed.)

## Holiday Codes

### PAID Holidays:

Paid Holidays are days for which an eligible employee receives a regular day's pay, but is not required to perform work. If an employee works on a day listed as a paid holiday, this remuneration is in addition to payment of the required prevailing rate for the work actually performed.

### OVERTIME Holiday Pay:

Overtime holiday pay is the premium pay that is required for work performed on specified holidays. It is only required where the employee actually performs work on such holidays. The applicable holidays are listed under HOLIDAYS: OVERTIME. The required rate of pay for these covered holidays can be found in the OVERTIME PAY section listings for each classification.

Following is an explanation of the code(s) listed in the HOLIDAY section of each classification contained in the attached schedule. The Holidays as listed below are to be paid at the wage rates at which the employee is normally classified.

- ( 1 ) None
- ( 2 ) Labor Day
- ( 3 ) Memorial Day and Labor Day
- ( 4 ) Memorial Day and July 4th
- ( 5 ) Memorial Day, July 4th, and Labor Day
- ( 6 ) New Year's, Thanksgiving, and Christmas
- ( 7 ) Lincoln's Birthday, Washington's Birthday, and Veterans Day
- ( 8 ) Good Friday
- ( 9 ) Lincoln's Birthday
- ( 10 ) Washington's Birthday
- ( 11 ) Columbus Day
- ( 12 ) Election Day
- ( 13 ) Presidential Election Day
- ( 14 ) 1/2 Day on Presidential Election Day
- ( 15 ) Veterans Day
- ( 16 ) Day after Thanksgiving
- ( 17 ) July 4th
- ( 18 ) 1/2 Day before Christmas
- ( 19 ) 1/2 Day before New Years
- ( 20 ) Thanksgiving
- ( 21 ) New Year's Day
- ( 22 ) Christmas
- ( 23 ) Day before Christmas
- ( 24 ) Day before New Year's
- ( 25 ) Presidents' Day
- ( 26 ) Martin Luther King, Jr. Day
- ( 27 ) Memorial Day
- ( 28 ) Easter Sunday

( 29 )      Juneteenth

City of Rome, New York

## FEDERAL CONSTRUCTION CONTRACT PROVISIONS



These conditions are applicable to contracts funded in whole or in part by federal funds and for City of Rome, New York contracts funded by the U.S. Department of Housing and Urban Development Community Development Block Grant (CDBG) Program.

Last Date of Revision: March 30, 2023

## Document Index

<b>General Federal Provisions</b> .....	2
Equal Employment Opportunity .....	2
Rights to Inventions Made Under Contract .....	3
Clean Air Act and Federal Water Pollution Control Act .....	3
Energy Efficiency .....	3
Debarment and Suspension .....	3
Byrd Anti-Lobbying .....	3
Small, Minority-owned, Women-owned Business Enterprises & Labor Surplus Area Firms .....	3
Domestic Preference for Procurements "Buy American" .....	4
Drug-Free Workplace Requirements .....	4
Access to Records & Record Retention .....	4
Bonding Requirements .....	4
Non-Discrimination .....	5
Lead-Based Paint .....	5
HUD Section 3 .....	5
Build American Buy America Act .....	6
<b>Federal Labor Standards Provisions</b> .....	9
Davis-Bacon Act .....	9
Copeland "Anti-Kickback" Act .....	9
Contract Work Hours and Safety Standards Act .....	9

## General Federal Provisions

### Equal Employment Opportunity

Compliance with Executive Order 11246 of September 24, 1965, entitled "Equal Employment Opportunity", as amended by Executive Order 11375 of October 13, 1967, and as supplemented in Department of Labor regulations (41 CFR chapter 60). The Contractor/Consultant will not discriminate against any employee or applicant for employment because of race, color, religion, sex, or national origin. Contractor/Consultant will ensure that all qualified applicants will receive consideration for employment without regard to race, color, religion, sex or national origin. The Contractor/Consultant will take affirmative action to ensure that applicants are employed and the employees are treated during employment, without regard to their race color, religion, sex, or national origin. Such actions shall include, but are not limited to, the following: employment, up-grading, demotion, or transfer; recruitment or recruitment advertising; rates of pay or other forms of compensation; and selection for



training, including apprenticeship. The Contractor/Consultant agrees to post in a conspicuous place, available to employees and applicants for employment, notices to be provided by the County setting forth the provisions of this non-discriminating clause.

### Rights to Inventions Made Under Contract

Contracts or agreements for the performance of experimental, developmental, or research work shall provide for the rights of the Federal Government and the recipient in any resulting invention in accordance with 37 CFR part 401, "Rights to Inventions Made by Nonprofit Organizations and Small Business Firms Under Government Grants, Contracts and Cooperative Agreements," and any implementing regulations issued by HUD.

### Clean Air Act and Federal Water Pollution Control Act

(33 U.S.C. 1251 et seq.), as amended—Contracts and subgrants of amounts in excess of \$100,000 shall contain a provision that requires the recipient to agree to comply with all applicable standards, orders or regulations issued pursuant to the Clean Air Act (42 U.S.C. 7401 et seq.) and the Federal Water Pollution Control Act as amended (33 U.S.C. 1251 et seq.). Violations shall be reported to HUD and the Regional Office of the Environmental Protection Agency (EPA).

### Energy Efficiency

Mandatory standards and policies relating to energy efficiency which are contained in the state energy conservation plan issued in compliance with the Energy Policy and Conservation Act (Pub. L. 94A 163, 89 Stat. 871).

### Debarment and Suspension

(E.O.s 12549 and 12689)—No contract shall be made to parties listed on the General Services Administration's List of Parties Excluded from Federal Procurement or Nonprocurement Programs in accordance with E.O.s 12549 and 12689, "Debarment and Suspension," as set forth at 24 CFR part 24. This list contains the names of parties debarred, suspended, or otherwise excluded by agencies, and contractors declared ineligible under statutory or regulatory authority other than E.O. 12549. Contractors with awards that exceed the small purchase threshold shall provide the required certification regarding its exclusion status and that of its principal employees.

### Byrd Anti-Lobbying

(31 U.S.C. 1352)—Contractors who apply or bid for an award of \$100,000 or more shall file the required certification. Each tier certifies to the tier above that it will not and has not used Federal appropriated funds to pay any person or organization for influencing or attempting to influence an officer or employee of any agency, a member of Congress, officer or employee of Congress, or an employee of a member of Congress in connection with obtaining any Federal contract, grant or any other award covered by 31 U.S.C. 1352. Each tier shall also disclose any lobbying with non-Federal funds that takes place in connection with obtaining any Federal award. Such disclosures are forwarded from tier-to-tier up to the recipient.

### Small, Minority-owned, Women-owned Business Enterprises & Labor Surplus Area Firms

It is national policy to award a fair share of contracts to disadvantaged business enterprises (DBEs), small business enterprises (SBEs), minority business enterprises (MBEs) and women's business enterprises (WBEs). Accordingly, affirmative steps must be taken to assure that DBEs, SBEs, MBEs and

WBEs are utilized when possible as sources of supplies, equipment, construction and services. Affirmative steps shall include the following:

- (1) Including qualified DBEs, SBEs, MBEs and WBEs on solicitation lists;
- (2) Assuring that DBEs, SBEs, MBEs and WBEs are solicited whenever they are potential sources;
- (3) Whenever economically feasible, dividing total requirements into smaller tasks or quantities so as to permit maximum participation by DBEs, SBEs, MBEs and WBEs;
- (4) Where the requirement permits, establishing delivery schedules which will encourage participation by DBEs, SBEs, MBEs and WBEs;
- (5) Using the services and assistance of the Small Business Administration, Minority Business Development Agency, the State Office of Small and Minority Business Assistance, the U.S. Department of Commerce and the Community Services Administration as required; and
- (6) Requiring the subcontractor, if any, to take the affirmative actions outlined in (1) – (5) above.

### Domestic Preference for Procurements “Buy American”

Materials purchased under this contract, to the greatest extent possible, shall be produced in the United States of America. Materials shall include but not be limited to the following; iron, aluminum, steel, cement, glass, lumber, plastics, and other manufactured products. This language shall be consistent in all subawards under this contract.

### Drug-Free Workplace Requirements

The Drug-Free Workplace Act of 1988 (42 U.S.C. 701) requires grantees (including individuals) of federal agencies, as a prior condition of being awarded a grant, to certify that they will provide drug-free workplaces. Each potential recipient must certify that it will comply with drug-free workplace requirements in accordance with the Act and with HUD's rules at 24 CFR part 24, subpart F.

### Access to Records & Record Retention

The Consultant or Contractor, and any sub-consultants or sub-contractors, shall allow all duly authorized Federal, State, and/or County officials or authorized representatives access to the work area, as well as all books, documents, materials, papers, and records of the Consultant or Contractor, and any sub-consultants or sub-contractors, that are directly pertinent to a specific program for the purpose of making audits, examinations, excerpts, and transcriptions. The Consultant or Contractor, and any sub-consultants or sub-contractors, further agree to maintain and keep such books, documents, materials, papers, and records, on a current basis, recording all transactions pertaining to this agreement in a form in accordance with generally acceptable accounting principles. All such books and records shall be retained for such periods of time as required by law, provided, however, notwithstanding any shorter periods of retention, all books, records, and supporting detail shall be retained for a period of at least four (4) years after the expiration of the term of this Agreement.

### Bonding Requirements

1) A bid guarantee from each bidder equivalent to 5% of the bid price. The “bid guarantee” shall consist of a firm commitment such as a bid bond, certified check, or other negotiable instrument accompanying

a bid as assurance that the bidder will, upon acceptance of his bid, execute such contractual documents as may be required within the time specified.

2) A performance bond shall be delivered to the Agency when the contract is executed on the part of the contractor for 100% of the contract price. A "performance bond" is one executed in connection with a contract to secure fulfillment of all the contractor's obligations under such contract.

3) A payment bond (labor & material bond) shall be delivered to the Agency when the contract is executed on the part of the contractor for 100% of the contract price. A "payment bond" is one executed in connection with a contract to assure payment as required by law of all persons supplying labor and material in the execution of the work provided for in the contract.

Performance and payment bonds must be submitted at the time of contract signing.

### Non-Discrimination

During the performance of this contract, the contractor agrees as follows:

1. The contractor shall not discriminate against any employee or applicant for employment because of race, color, religion, sex, or national origin. The Contractor shall take affirmative action to ensure that applicants for employment are employed, and that employees are treated during employment, without regard to their race, color, religion, sex, or national origin. Such action shall include, but not be limited to the following: employment upgrading, demotion, or transfer; recruitment or recruitment advertising; layoff or termination; rates of pay or other forms of Compensation; and selection for training, including apprenticeship.

2. The contractor shall post in conspicuous places, available to employees and applicants for employment, notices to be provided by the Contracting Officer setting forth the provisions of this non-discrimination clause. The Contractor shall state that all qualified applicants will receive consideration for employment without regard to race, color, religion, sex, or national origin.

3. Contractors shall incorporate foregoing requirements in all subcontracts.

### Lead-Based Paint

The construction or rehabilitation of residential structures with any portion of the Assistance is subject to the HUD Lead-Based Paint regulations found at 24 CFR Part 35. Any grants or loans made by the Grantee for the rehabilitation of residential structures with any portion of the Assistance shall be made subject to the provisions for the elimination of lead-based paint hazards under subpart B of said regulations, and the Grantee shall be responsible for the inspections and certifications required under Section 35.14(f) thereof.

### HUD Section 3

The work to be performed under this Contract is subject to the requirements of Section 3 of the Housing and Urban Development Act of 1968, as amended, (12 USC § 1701u). The purpose of Section 3 is to ensure that employment and other economic opportunities generated by HUD assistance or HUD-assisted projects covered by Section 3 shall, to the greatest extent feasible be directed to low and very low-income persons, particularly persons who are recipients of HUD assistance for housing.

The parties to this said Contract agree to comply with HUD's regulations in 24 CFR Part 135, which implement Section 3. As evidenced by their execution of this Contract, the parties to this Contract certify that they are under no contractual or other impediment that would prevent them from complying with the 24 CFR Part 135 regulations.

The contractor agrees to send to each labor organization or representative of workers with which the Contractor has a collective bargaining agreement or other understanding, if any, a notice advising the organization or workers' representative of the contractor's commitments under this Section 3 clause, and will post copies of the notice in conspicuous places at the work site where both employees and applicants for training and employment positions can see the notice. The notice shall describe the Section 3 preference, shall set forth minimum number and job titles subject to hire, availability of apprenticeship and training positions; the qualifications for each; and the name and location of person(s) taking applications for each of the positions; and the anticipated date the work shall begin. The Contractor agrees to include this Section 3 clause in every subcontract subject to compliance with regulations in 24 CFR Part 135, and agrees to take appropriate action, as provided in an applicable provision of the subcontract or in this Section 3 clause, upon a finding that the subcontractor is in violation of the regulations in 24 CFR Part 135. The Contractor will not subcontract with any subcontractor where the Contractor has notice or knowledge that the subcontractor has been found in violation of the regulations in 24 CFR Part 135.

The Contractor will certify that any vacant employment positions including training positions, that are filled (1) after the Contractor is selected but before this Contract has been executed, and (2) with persons other than those to whom the regulations of 24 CFR Part 135 require employment opportunities to be directed, were not filled to circumvent the Contractor's obligations under 24 CFR Part 135.

The Contractor agrees to submit such reports as required to document compliance with 24 CFR Part 135. Noncompliance with the regulations in 24 CFR Part 135 may result in sanctions, termination of this Contract for default, and debarment or suspension from future HUD assisted contracts.

## Build American Buy America Act

### **Build America, Buy America**

Recipients of an award of Federal financial assistance from a program for infrastructure are hereby notified that funds may be subject to Build America, Buy America (BABA) requirements). Pursuant to the General Applicability Waiver of Build America, Buy America Provisions (BAP) as Applied to Recipients of HUD Federal Financial Assistance, funds obligated on or after November 14, 2022, for grants to non-tribal entities, and May 14, 2023, for grants to Tribes and TDHEs, must comply with section 70914 of the Act, including by the incorporation of a BAP in the terms and conditions of each Federal award with an infrastructure project. Renewal awards and amendments obligating additional funds to existing awards that are executed on or after the applicable deadline, will also require a Buy American Preference (BAP). BAP means that none of the funds provided under this award may be used for a project for infrastructure unless:

- (1) all iron and steel used in the project are produced in the United States this means all manufacturing processes, from the initial melting stage through the application of coatings, occurred in the United States;
- (2) all manufactured products used in the project are produced in the United States—this means the manufactured product was manufactured in the United States; and the cost of the components of the

manufactured product that are mined, produced, or manufactured in the United States is greater than 55 percent of the total cost of all components of the manufactured product, unless another standard for determining the minimum amount of domestic content of the manufactured product has been established under applicable law or regulation; and

(3) all construction materials are manufactured in the United States—this means that all manufacturing processes for the construction material occurred in the United States. “All manufacturing processes” for construction materials includes the final manufacturing process and the immediately preceding manufacturing stage for the construction material.

The Buy America Preference only applies to articles, materials, and supplies that are consumed in, incorporated into, or affixed to an infrastructure project. As such, it does not apply to tools, equipment, and supplies, such as temporary scaffolding, brought to the construction site and removed at or before the completion of the infrastructure project. The Buy America preference does not apply to equipment and furnishings, such as movable chairs, desks, and portable computer equipment, that are used at or within the finished infrastructure project but are not an integral part of the structure or permanently affixed to the infrastructure project.

Exceptions to Buy America Preference Requirements Must be Established with a Waiver

When necessary, recipients may apply for, and the Agency may grant, a waiver from the requirements listed above. The Agency will notify the recipient of information on the process for requesting a waiver from these requirements.

(a) When the Agency has made a determination that one of the following exceptions applies, the awarding official may waive the application of the BAP: (1) applying the BAP would be inconsistent with the public interest;

(2) the types of iron, steel, manufactured products, or construction materials are not produced in the United States in sufficient and reasonably available quantities or of a satisfactory quality; or

(3) the inclusion of iron, steel, manufactured products, or construction materials produced in the United States will increase the cost of the overall project by more than 25 percent.

A request to waive the application of the BAP must be in writing. The Agency will provide instructions on the format, contents, and supporting materials required for any waiver request. Waiver requests are subject to public comment periods of no less than 15 days and must be reviewed by the Made in America Office. There may be instances where an award qualifies, in whole or in part, for an existing waiver described at: [https://www.hud.gov/program\\_offices/general\\_counsel/BABA](https://www.hud.gov/program_offices/general_counsel/BABA)

“Construction materials” includes an article, material, or supply—other than an item of primarily iron or steel; a manufactured product; cement and cementitious materials; aggregates such as stone, sand, or gravel; or aggregate binding agents or additives—that is or consists primarily of:

- non-ferrous metals;
- plastic and polymer-based products (including polyvinylchloride, composite building materials, and polymers used in fiber optic cables);
- glass (including optic glass);
- lumber; or
- drywall.

Further, the definition of “construction materials” does not include cement and cementitious materials, aggregates such as stone, sand, or gravel, or aggregate binding agents or additives. Items that consist of two or more of the listed materials that have been combined together through a manufacturing process, and items that include at least one of the listed materials combined with a material that is not listed through a manufacturing process, should be treated as manufactured products, rather than as construction materials. See initial implementation guidance in the Memorandum linked here: M-22-11, page 14.

“Domestic content procurement preference” means all iron and steel used in the project are produced in the United States; the manufactured products used in the project are produced in the United States; or the construction materials used in the project are produced in the United States. “Infrastructure” includes, at a minimum, the structures, facilities, and equipment for, in the United States, roads, highways, and bridges; public transportation; dams, ports, harbors, and other maritime facilities; intercity passenger and freight railroads; freight and intermodal facilities; airports; water systems, including drinking water and wastewater systems; electrical transmission facilities and systems; utilities; broadband infrastructure; and buildings and real property. Infrastructure includes facilities that generate, transport, and distribute energy.

“Federal Financial Assistance” pursuant to 2 CFR 200.1, means assistance that entities received or administer in the form of:

1. Grants;
2. Cooperative agreements (which does not include a cooperative research and development agreement pursuant to the Federal Technology Transfer Act of 1986, as amended (15 U.S.C. 3710a));
3. Non-cash contributions or donations of property (including donated surplus property)
4. Direct appropriations;
5. Assessed or voluntary contributions; or
6. Any other financial assistance transaction that authorizes the non-Federal entity's expenditure of Federal funds except assistance listed in 2 CFR 200.1(2).

Federal Financial Assistance does not include:

“Non Federal Entity” means a state, local government, Indian tribe, Institution of Higher Education (IHE), or nonprofit organization that carries out a Federal award as a recipient or subrecipient.

“Funds to for-profit organizations” – for purposes of BABA implementation, they are not considered non-Federal entities. However, there may be independent statutory authorities that agencies may have to include domestic content requirements in awards of Federal financial assistance issued to for-profit organizations. See M-11-22, p. 3.

“Project” means the construction, alteration, maintenance, or repair of infrastructure in the United States.

Types of Construction Projects: When determining if a particular construction project of a type not listed in the definition above constitutes “infrastructure,” agencies should consider whether the project will

serve a public function, including whether the project is publicly owned and operated, privately operated on behalf of the public, or is a place of public accommodation, as opposed to a project that is privately owned and not open to the public. Projects with the former qualities have greater indicia of infrastructure, while projects with the latter quality have fewer. Projects consisting solely of the purchase, construction, or improvement of a private home for personal use, for example, would not constitute an infrastructure project.

## Federal Labor Standards Provisions

(Applicable to construction contracts in excess of \$2,000 or residential rehabilitation contracts involving more than eight units)

The Project or program to which the construction work covered by this Contract pertains is being assisted by the United States of America and the Federal Labor Standards Provisions as set forth on Attachment 1 are included in this Contract pursuant to the provisions applicable to such Federal assistance. These provisions must be complied with or sanctions will be instituted.

### Davis-Bacon Act

As amended (40 U.S.C. 276a to a-7: When required by Federal program legislation, all construction contracts awarded by the recipients and subrecipients of more than \$2000 shall include a provision for compliance with the Davis-Bacon Act (40 U.S.C. 276a to a-7) and as supplemented by Department of Labor regulations (29 CFR part 5, "Labor Standards Provisions Applicable to Contracts Governing Federally Financed and Assisted Construction"). Under this Act, contractors shall be required to pay wages to laborers and mechanics at a rate not less than the minimum wages specified in a wage determination made by the Secretary of Labor. In addition, contractors shall be required to pay wages not less than once a week. The recipient shall place a copy of the current prevailing wage determination issued by the Department of Labor in each solicitation and the award of a contract shall be conditioned upon the acceptance of the wage determination. The recipient shall report all suspected or reported violations to HUD.

### Copeland "Anti-Kickback" Act

(18 U.S.C. 874 and 40 U.S.C. 276c: All contracts and subgrants in excess of \$2,000 for construction or repair awarded by recipients and subrecipients shall include a provision for compliance with the Copeland "Anti-Kickback" Act (18 U.S.C. 874), as supplemented by Department of Labor regulations (29 CFR part 3, "Contractors and Subcontractors on Public Building or Public Work Financed in Whole or in Part by Loans or Grants from the United States"). The Act provides that each contractor or subrecipient shall be prohibited from inducing, by any means, any person employed in the construction, completion, or repair of public work, to give up any part of the compensation to which he is otherwise entitled. The recipient shall report all suspected or reported violations to HUD.

### Contract Work Hours and Safety Standards Act

(40 U.S.C. 327 through 333: Where applicable, all contracts awarded by recipients in excess of \$2000 for construction contracts and in excess of \$2500 for other contracts that involve the employment of mechanics or laborers shall include a provision for compliance with Sections 102 and 107 of the Contract Work Hours and Safety Standards Act (40 U.S.C. 327–333), as supplemented by Department of Labor regulations (29 CFR part 5). Under Section 102 of the Act, each contractor shall be required to compute

the wages of every mechanic and laborer on the basis of a standard workweek of 40 hours. Work in excess of the standard workweek is permissible provided that the worker is compensated at a rate of not less than 1 1/2 times the basic rate of pay for all hours worked in excess of 40 hours in the workweek. Section 107 of the Act is applicable to construction work and provides that no laborer or mechanic shall be required to work in surroundings or under working conditions which are unsanitary, hazardous or dangerous. These requirements do not apply to the purchases of supplies or materials or articles ordinarily available on the open market, or contracts for transportation or transmission of intelligence.



# Federal Contract Provisions Bidder Certification Form

RFB#: 2024-032

PROJECT: 1120 E. Dominick Street Commercial Façade Improvements

**CERTIFICATION:**

I hereby certify that I have reviewed and understand the Federal Construction Contract Provisions requirements imposed on the Contractor(s) of HUD-funded construction projects, including but not limited to the following:

1. The subject project is being financed with Community Development Block Grant funds (24 CFR Part 570);
2. This project and all related construction contracts are subject to the U.S. Department of Housing and Urban Development's Federal Labor Standards Provisions (HUD 4010); and
3. This project is subject to all applicable laws and regulations as listed in the General Federal Provisions; and
4. If my bid is \$200,000 or more, this project and all related contracts will subject to Section 3 requirements (12 U.S.C.1701u).

CONTRACTOR'S DBA: \_\_\_\_\_

BUSINESS ADDRESS: \_\_\_\_\_

AUTHORIZED REPRESENTATIVE: (Type Name) \_\_\_\_\_

SIGNATURE:  
\_\_\_\_\_

DATE: \_\_\_\_\_

## Bidder Questionnaire

Please complete by circling or highlighting the appropriate answer and submit the following information per the United State Department of Housing and Urban Development (HUD) 2516 CDBG Contract and Subcontract Activity report.

Name of organization: \_\_\_\_\_

Point of contact: \_\_\_\_\_

Contract: \_\_\_\_\_

Award amount: \_\_\_\_\_

- 1) Based on the following Trade Codes, please confirm which best identifies your service:

1 – New Construction	6 – Professional
2 – Substantial Rehabilitation	7 – Tenant Services
3 – Repair	8 – Education/Training
4 – Service	9 – Architecture/Engineering Appraisal
5 – Project Management	0 – Other
  
- 2) Based on the following Racial/Ethnic Codes, please confirm which best identifies the racial/ethnic/gender character of the owners and controllers of 51% of the business. (When 51% or more is not owned and controlled by any single racial/ethnic category, please select which seems most appropriate):

1 – White Americans	4 – Hispanic Americans
2 – Black Americans	5 – Asian/Pacific Americans
3 – Native Americans	6 – Hasidic Jews
  
- 3) Are you a Woman-Owned business?  
Yes or No
  
- 4) What is your Contractor Identification Number? (This is your Employer IRS Number of the Prime Contractor as the unique identifier for primer recipient of HUD funds):
  
- 5) Are you a Section 3 business?  
Yes or No

Please sign and date at the bottom of this page that you authorize the use of this information:

\_\_\_\_\_  
Name

\_\_\_\_\_  
Signature

\_\_\_\_\_  
Date

## Subcontractor Questionnaire

Amount of Subcontract	Subcontractor Business Racial/ Ethnic (See Below)	Type of Business 1-9	Women Owned Business (Y or N)	Subcontractor Identification ID Number	Sec. 3 (Y or N)	Contact Person	Subcontractor Name and Address

<p style="text-align: center;"><b>Racial / Ethnic Codes:</b></p> <p>1 = White American                  2 = Black American                  3 = Native American                  4 = Hispanic American                  5 = Asian / Pacific American                  6 = Hasidic Jews</p>	<p style="text-align: center;"><b>Type of Business / Trade Codes</b></p> <p>1 = New Construction                  2 = Substantial Rehab                  3 = Repair                  4 = Service                  5 = Project Management                  6 = Professional                  7 = Tenant Services                  8 = Education Training                  9 = Arch / Eng. Appraisal                  0 = Other</p>
--	---

Print Name: \_\_\_\_\_

Signature: \_\_\_\_\_

Date: \_\_\_\_\_

## Applicability

The Project or Program to which the construction work covered by this contract pertains is being assisted by the United States of America and the following Federal Labor Standards Provisions are included in this Contract pursuant to the provisions applicable to such Federal assistance.

**A. 1. (i) Minimum Wages.** All laborers and mechanics employed or working upon the site of the work, will be paid unconditionally and not less often than once a week, and without subsequent deduction or rebate on any account (except such payroll deductions as are permitted by regulations issued by the Secretary of Labor under the Copeland Act (29 CFR Part 3), the full amount of wages and bona fide fringe benefits (or cash equivalents thereof) due at time of payment computed at rates not less than those contained in the wage determination of the Secretary of Labor which is attached hereto and made a part hereof, regardless of any contractual relationship which may be alleged to exist between the contractor and such laborers and mechanics. Contributions made or costs reasonably anticipated for bona fide fringe benefits under Section I(b)(2) of the Davis-Bacon Act on behalf of laborers or mechanics are considered wages paid to such laborers or mechanics, subject to the provisions of 29 CFR 5.5(a)(1)(iv); also, regular contributions made or costs incurred for more than a weekly period (but not less often than quarterly) under plans, funds, or programs, which cover the particular weekly period, are deemed to be constructively made or incurred during such weekly period. Such laborers and mechanics shall be paid the appropriate wage rate and fringe benefits on the wage determination for the classification of work actually performed, without regard to skill, except as provided in 29 CFR 5.5(a)(4). Laborers or mechanics performing work in more than one classification may be compensated at the rate specified for each classification for the time actually worked therein: Provided, That the employer's payroll records accurately set forth the time spent in each classification in which work is performed. The wage determination (including any additional classification and wage rates conformed under 29 CFR 5.5(a)(1)(ii) and the Davis-Bacon poster (WH-1321) shall be posted at all times by the contractor and its subcontractors at the site of the work in a prominent and accessible, place where it can be easily seen by the workers.

**(ii) (a)** Any class of laborers or mechanics which is not listed in the wage determination and which is to be employed under the contract shall be classified in conformance with the wage determination. HUD shall approve an additional classification and wage rate and fringe benefits therefor only when the following criteria have been met:

**(1)** The work to be performed by the classification requested is not performed by a classification in the wage determination; and

**(2)** The classification is utilized in the area by the construction industry; and

**(3)** The proposed wage rate, including any bona fide fringe benefits, bears a reasonable relationship to the wage rates contained in the wage determination.

**(b)** If the contractor and the laborers and mechanics to be employed in the classification (if known), or their representatives, and HUD or its designee agree on the classification and wage rate (including the amount designated for fringe benefits where appropriate), a report of the action taken shall be sent by HUD or its designee to the Administrator of the Wage and Hour Division, Employment Standards Administration, U.S. Department of Labor, Washington, D.C. 20210. The Administrator, or an authorized representative, will approve, modify, or disapprove every additional classification action within 30 days of receipt and so advise HUD or its designee or will notify HUD or its designee within the 30-day period that additional time is necessary. (Approved by the Office of Management and Budget under OMB control number 1215-0140.)

**(c)** In the event the contractor, the laborers or mechanics to be employed in the classification or their representatives, and HUD or its designee do not agree on the proposed classification and wage rate (including the amount designated for fringe benefits, where appropriate), HUD or its designee shall refer the questions, including the views of all interested parties and the recommendation of HUD or its designee, to the Administrator for determination. The Administrator, or an authorized representative, will issue a determination within 30 days of receipt and so advise HUD or its designee or will notify HUD or its designee within the 30-day period that additional time is necessary. (Approved by the Office of Management and Budget under OMB Control Number 1215-0140.)

**(d)** The wage rate (including fringe benefits where appropriate) determined pursuant to subparagraphs (1)(ii)(b) or (c) of this paragraph, shall be paid to all workers performing work in the classification under this contract from the first day on which work is performed in the classification.

**(iii)** Whenever the minimum wage rate prescribed in the contract for a class of laborers or mechanics includes a fringe benefit which is not expressed as an hourly rate, the contractor shall either pay the benefit as stated in the wage determination or shall pay another bona fide fringe benefit or an hourly cash equivalent thereof.

**(iv)** If the contractor does not make payments to a trustee or other third person, the contractor may consider as part

of the wages of any laborer or mechanic the amount of any costs reasonably anticipated in providing bona fide fringe benefits under a plan or program, Provided, That the Secretary of Labor has found, upon the written request of the contractor, that the applicable standards of the Davis-Bacon Act have been met. The Secretary of Labor may require the contractor to set aside in a separate account assets for the meeting of obligations under the plan or program. (Approved by the Office of Management and Budget under OMB Control Number 1215-0140.)

**2. Withholding.** HUD or its designee shall upon its own action or upon written request of an authorized representative of the Department of Labor withhold or cause to be withheld from the contractor under this contract or any other Federal contract with the same prime contractor, or any other Federally-assisted contract subject to Davis-Bacon prevailing wage requirements, which is held by the same prime contractor so much of the accrued payments or advances as may be considered necessary to pay laborers and mechanics, including apprentices, trainees and helpers, employed by the contractor or any subcontractor the full amount of wages required by the contract. In the event of failure to pay any laborer or mechanic, including any apprentice, trainee or helper, employed or working on the site of the work, all or part of the wages required by the contract, HUD or its designee may, after written notice to the contractor, sponsor, applicant, or owner, take such action as may be necessary to cause the suspension of any further payment, advance, or guarantee of funds until such violations have ceased. HUD or its designee may, after written notice to the contractor, disburse such amounts withheld for and on account of the contractor or subcontractor to the respective employees to whom they are due. The Comptroller General shall make such disbursements in the case of direct Davis-Bacon Act contracts.

**3. (i) Payrolls and basic records.** Payrolls and basic records relating thereto shall be maintained by the contractor during the course of the work preserved for a period of three years thereafter for all laborers and mechanics working at the site of the work. Such records shall contain the name, address, and social security number of each such worker, his or her correct classification, hourly rates of wages paid (including rates of contributions or costs anticipated for bona fide fringe benefits or cash equivalents thereof of the types described in Section 1(b)(2)(B) of the Davis-bacon Act), daily and weekly number of hours worked, deductions made and actual wages paid. Whenever the Secretary of Labor has found under 29 CFR 5.5 (a)(1)(iv) that the wages of any laborer or mechanic include the amount of any costs reasonably anticipated in providing benefits under a plan or program described in Section 1(b)(2)(B) of the Davis-Bacon Act, the contractor shall maintain records which show that the commitment to provide such benefits is enforceable, that the plan or program is financially responsible, and that the plan or program has been

communicated in writing to the laborers or mechanics affected, and records which show the costs anticipated or the actual cost incurred in providing such benefits. Contractors employing apprentices or trainees under approved programs shall maintain written evidence of the registration of apprenticeship programs and certification of trainee programs, the registration of the apprentices and trainees, and the ratios and wage rates prescribed in the applicable programs. (Approved by the Office of Management and Budget under OMB Control Numbers 1215-0140 and 1215-0017.)

**(ii) (a)** The contractor shall submit weekly for each week in which any contract work is performed a copy of all payrolls to HUD or its designee if the agency is a party to the contract, but if the agency is not such a party, the contractor will submit the payrolls to the applicant sponsor, or owner, as the case may be, for transmission to HUD or its designee. The payrolls submitted shall set out accurately and completely all of the information required to be maintained under 29 CFR 5.5(a)(3)(i) except that full social security numbers and home addresses shall not be included on weekly transmittals. Instead the payrolls shall only need to include an individually identifying number for each employee (e.g., the last four digits of the employee's social security number). The required weekly payroll information may be submitted in any form desired. Optional Form WH-347 is available for this purpose from the Wage and Hour Division Web site at <http://www.dol.gov/esa/whd/forms/wh347instr.htm> or its successor site. The prime contractor is responsible for the submission of copies of payrolls by all subcontractors. Contractors and subcontractors shall maintain the full social security number and current address of each covered worker, and shall provide them upon request to HUD or its designee if the agency is a party to the contract, but if the agency is not such a party, the contractor will submit the payrolls to the applicant sponsor, or owner, as the case may be, for transmission to HUD or its designee, the contractor, or the Wage and Hour Division of the Department of Labor for purposes of an investigation or audit of compliance with prevailing wage requirements. It is not a violation of this subparagraph for a prime contractor to require a subcontractor to provide addresses and social security numbers to the prime contractor for its own records, without weekly submission to HUD or its designee. (Approved by the Office of Management and Budget under OMB Control Number 1215-0149.)

**(b)** Each payroll submitted shall be accompanied by a "Statement of Compliance," signed by the contractor or subcontractor or his or her agent who pays or supervises the payment of the persons employed under the contract and shall certify the following:

**(1)** That the payroll for the payroll period contains the information required to be provided under 29 CFR 5.5 (a)(3)(ii), the appropriate information is being maintained under 29 CFR 5.5(a)(3)(i), and that such information is correct and complete;

(2) That each laborer or mechanic (including each helper, apprentice, and trainee) employed on the contract during the payroll period has been paid the full weekly wages earned, without rebate, either directly or indirectly, and that no deductions have been made either directly or indirectly from the full wages earned, other than permissible deductions as set forth in 29 CFR Part 3;

(3) That each laborer or mechanic has been paid not less than the applicable wage rates and fringe benefits or cash equivalents for the classification of work performed, as specified in the applicable wage determination incorporated into the contract.

(c) The weekly submission of a properly executed certification set forth on the reverse side of Optional Form WH-347 shall satisfy the requirement for submission of the "Statement of Compliance" required by subparagraph A.3.(ii)(b).

(d) The falsification of any of the above certifications may subject the contractor or subcontractor to civil or criminal prosecution under Section 1001 of Title 18 and Section 231 of Title 31 of the United States Code.

(iii) The contractor or subcontractor shall make the records required under subparagraph A.3.(i) available for inspection, copying, or transcription by authorized representatives of HUD or its designee or the Department of Labor, and shall permit such representatives to interview employees during working hours on the job. If the contractor or subcontractor fails to submit the required records or to make them available, HUD or its designee may, after written notice to the contractor, sponsor, applicant or owner, take such action as may be necessary to cause the suspension of any further payment, advance, or guarantee of funds. Furthermore, failure to submit the required records upon request or to make such records available may be grounds for debarment action pursuant to 29 CFR 5.12.

#### 4. Apprentices and Trainees.

(i) **Apprentices.** Apprentices will be permitted to work at less than the predetermined rate for the work they performed when they are employed pursuant to and individually registered in a bona fide apprenticeship program registered with the U.S. Department of Labor, Employment and Training Administration, Office of Apprenticeship Training, Employer and Labor Services, or with a State Apprenticeship Agency recognized by the Office, or if a person is employed in his or her first 90 days of probationary employment as an apprentice in such an apprenticeship program, who is not individually registered in the program, but who has been certified by the Office of Apprenticeship Training, Employer and Labor Services or a State Apprenticeship Agency (where appropriate) to be eligible for probationary employment as an apprentice. The allowable ratio of apprentices to journeymen on the job site in any craft classification shall not be greater than the ratio permitted to the contractor as to the entire work force under the registered program. Any worker listed on a payroll at an apprentice wage rate, who

is not registered or otherwise employed as stated above, shall be paid not less than the applicable wage rate on the wage determination for the classification of work actually performed. In addition, any apprentice performing work on the job site in excess of the ratio permitted under the registered program shall be paid not less than the applicable wage rate on the wage determination for the work actually performed. Where a contractor is performing construction on a project in a locality other than that in which its program is registered, the ratios and wage rates (expressed in percentages of the journeyman's hourly rate) specified in the contractor's or subcontractor's registered program shall be observed. Every apprentice must be paid at not less than the rate specified in the registered program for the apprentice's level of progress, expressed as a percentage of the journeymen hourly rate specified in the applicable wage determination. Apprentices shall be paid fringe benefits in accordance with the provisions of the apprenticeship program. If the apprenticeship program does not specify fringe benefits, apprentices must be paid the full amount of fringe benefits listed on the wage determination for the applicable classification. If the Administrator determines that a different practice prevails for the applicable apprentice classification, fringes shall be paid in accordance with that determination. In the event the Office of Apprenticeship Training, Employer and Labor Services, or a State Apprenticeship Agency recognized by the Office, withdraws approval of an apprenticeship program, the contractor will no longer be permitted to utilize apprentices at less than the applicable predetermined rate for the work performed until an acceptable program is approved.

(ii) **Trainees.** Except as provided in 29 CFR 5.16, trainees will not be permitted to work at less than the predetermined rate for the work performed unless they are employed pursuant to and individually registered in a program which has received prior approval, evidenced by formal certification by the U.S. Department of Labor, Employment and Training Administration. The ratio of trainees to journeymen on the job site shall not be greater than permitted under the plan approved by the Employment and Training Administration. Every trainee must be paid at not less than the rate specified in the approved program for the trainee's level of progress, expressed as a percentage of the journeyman hourly rate specified in the applicable wage determination. Trainees shall be paid fringe benefits in accordance with the provisions of the trainee program. If the trainee program does not mention fringe benefits, trainees shall be paid the full amount of fringe benefits listed on the wage determination unless the Administrator of the Wage and Hour Division determines that there is an apprenticeship program associated with the corresponding journeyman wage rate on the wage determination which provides for less than full fringe benefits for apprentices. Any employee listed on the payroll at a trainee rate who is not registered and participating in a training plan approved by

the Employment and Training Administration shall be paid not less than the applicable wage rate on the wage determination for the work actually performed. In addition, any trainee performing work on the job site in excess of the ratio permitted under the registered program shall be paid not less than the applicable wage rate on the wage determination for the work actually performed. In the event the Employment and Training Administration withdraws approval of a training program, the contractor will no longer be permitted to utilize trainees at less than the applicable predetermined rate for the work performed until an acceptable program is approved.

**(iii) Equal employment opportunity.** The utilization of apprentices, trainees and journeymen under 29 CFR Part 5 shall be in conformity with the equal employment opportunity requirements of Executive Order 11246, as amended, and 29 CFR Part 30.

**5. Compliance with Copeland Act requirements.** The contractor shall comply with the requirements of 29 CFR Part 3 which are incorporated by reference in this contract

**6. Subcontracts.** The contractor or subcontractor will insert in any subcontracts the clauses contained in subparagraphs 1 through 11 in this paragraph A and such other clauses as HUD or its designee may by appropriate instructions require, and a copy of the applicable prevailing wage decision, and also a clause requiring the subcontractors to include these clauses in any lower tier subcontracts. The prime contractor shall be responsible for the compliance by any subcontractor or lower tier subcontractor with all the contract clauses in this paragraph.

**7. Contract termination; debarment.** A breach of the contract clauses in 29 CFR 5.5 may be grounds for termination of the contract and for debarment as a contractor and a subcontractor as provided in 29 CFR 5.12.

**8. Compliance with Davis-Bacon and Related Act Requirements.** All rulings and interpretations of the Davis-Bacon and Related Acts contained in 29 CFR Parts 1, 3, and 5 are herein incorporated by reference in this contract

**9. Disputes concerning labor standards.** Disputes arising out of the labor standards provisions of this contract shall not be subject to the general disputes clause of this contract. Such disputes shall be resolved in accordance with the procedures of the Department of Labor set forth in 29 CFR Parts 5, 6, and 7. Disputes within the meaning of this clause include disputes between the contractor (or any of its subcontractors) and HUD or its designee, the U.S. Department of Labor, or the employees or their representatives.

**10. (i) Certification of Eligibility.** By entering into this contract the contractor certifies that neither it (nor he or she) nor any person or firm who has an interest in the contractor's firm is a person or firm ineligible to be awarded Government contracts by virtue of Section 3(a) of the Davis-Bacon Act or 29 CFR 5.12(a)(1) or to be

awarded HUD contracts or participate in HUD programs pursuant to 24 CFR Part 24.

**(ii)** No part of this contract shall be subcontracted to any person or firm ineligible for award of a Government contract by virtue of Section 3(a) of the Davis-Bacon Act or 29 CFR 5.12(a)(1) or to be awarded HUD contracts or participate in HUD programs pursuant to 24 CFR Part 24.

**(iii)** The penalty for making false statements is prescribed in the U.S. Criminal Code, 18 U.S.C. 1001. Additionally, U.S. Criminal Code, Section 1 01 0, Title 18, U.S.C., "Federal Housing Administration transactions", provides in part: "Whoever, for the purpose of . . . influencing in any way the action of such Administration..... makes, utters or publishes any statement knowing the same to be false..... shall be fined not more than \$5,000 or imprisoned not more than two years, or both."

**11. Complaints, Proceedings, or Testimony by Employees.** No laborer or mechanic to whom the wage, salary, or other labor standards provisions of this Contract are applicable shall be discharged or in any other manner discriminated against by the Contractor or any subcontractor because such employee has filed any complaint or instituted or caused to be instituted any proceeding or has testified or is about to testify in any proceeding under or relating to the labor standards applicable under this Contract to his employer.

**B. Contract Work Hours and Safety Standards Act.** The provisions of this paragraph B are applicable where the amount of the prime contract exceeds \$100,000. As used in this paragraph, the terms "laborers" and "mechanics" include watchmen and guards.

**(1) Overtime requirements.** No contractor or subcontractor contracting for any part of the contract work which may require or involve the employment of laborers or mechanics shall require or permit any such laborer or mechanic in any workweek in which the individual is employed on such work to work in excess of 40 hours in such workweek unless such laborer or mechanic receives compensation at a rate not less than one and one-half times the basic rate of pay for all hours worked in excess of 40 hours in such workweek.

**(2) Violation; liability for unpaid wages; liquidated damages.** In the event of any violation of the clause set forth in subparagraph (1) of this paragraph, the contractor and any subcontractor responsible therefor shall be liable for the unpaid wages. In addition, such contractor and subcontractor shall be liable to the United States (in the case of work done under contract for the District of Columbia or a territory, to such District or to such territory), for liquidated damages. Such liquidated damages shall be computed with respect to each individual laborer or mechanic, including watchmen and guards, employed in violation of the clause set forth in subparagraph (1) of this paragraph, in the sum of \$10 for each calendar day on which such individual was required or permitted to work in excess of the standard workweek of 40 hours without payment of the overtime wages required by the clause set forth in subparagraph (1) of this paragraph.

---

**(3) Withholding for unpaid wages and liquidated damages.** HUD or its designee shall upon its own action or upon written request of an authorized representative of the Department of Labor withhold or cause to be withheld, from any moneys payable on account of work performed by the contractor or subcontractor under any such contract or any other Federal contract with the same prime contract, or any other Federally-assisted contract subject to the Contract Work Hours and Safety Standards Act which is held by the same prime contractor such sums as may be determined to be necessary to satisfy any liabilities of such contractor or subcontractor for unpaid wages and liquidated damages as provided in the clause set forth in subparagraph (2) of this paragraph.

**(4) Subcontracts.** The contractor or subcontractor shall insert in any subcontracts the clauses set forth in subparagraph (1) through (4) of this paragraph and also a clause requiring the subcontractors to include these clauses in any lower tier subcontracts. The prime contractor shall be responsible for compliance by any subcontractor or lower tier subcontractor with the clauses set forth in subparagraphs (1) through (4) of this paragraph.

**C. Health and Safety.** The provisions of this paragraph C are applicable where the amount of the prime contract exceeds \$100,000.

**(1)** No laborer or mechanic shall be required to work in surroundings or under working conditions which are unsanitary, hazardous, or dangerous to his health and safety as determined under construction safety and health standards promulgated by the Secretary of Labor by regulation.

**(2)** The Contractor shall comply with all regulations issued by the Secretary of Labor pursuant to Title 29 Part 1926 and failure to comply may result in imposition of sanctions pursuant to the Contract Work Hours and Safety Standards Act, (Public Law 91-54, 83 Stat 96). 40 USC 3701 et seq.

**(3)** The contractor shall include the provisions of this paragraph in every subcontract so that such provisions will be binding on each subcontractor. The contractor shall take such action with respect to any subcontractor as the Secretary of Housing and Urban Development or the Secretary of Labor shall direct as a means of enforcing such provisions.



## **HUD Section 3 Residents & HUD Section 3 Business Concerns**

The work to be performed under this contract is subject to the requirements of section 3 of the Housing and Urban Development Act of 1968, as amended, 12 U.S.C. 1701u (section 3). The purpose of section 3 is to ensure that employment and other economic opportunities generated by HUD assistance or HUD-assisted projects covered by section 3, shall, to the greatest extent feasible, be directed to low- and very low-income persons, particularly persons who are recipients of HUD Assistance for housing.

### **I. SECTION 3 GUIDELINES AND INSTRUCTIONS**

Section 3 requires that **when contracting** or **employment/training** opportunities are generated because an applicable federally funded project necessitates the awarding of contracts or the employment of additional personnel through individual hiring, the recipient must give preference to low- and very low income persons and/or businesses owned by these persons or that substantially employ these persons.

The following HUD Section 3 documents are included in this federal contract provisions insert.

- Attachment A - Section 3 Resident Certification Form
- Attachment B - Section 3 Business Certification Form
- Attachment C - Section 3 Business Utilization Report Form
- Attachment D - Section 3 Employment Report Form
- Attachment E - HUD income limits by household size (most current)

### **City of Rome Section 3 Policy Statement**

The City of Rome supports the Department of Housing and Urban Development's (HUD's) legislative efforts to provide preference to low- and very low-income residents of the local community (regardless of race and gender), and the businesses that substantially employ these persons, for **new** employment, training, and contracting opportunities resulting from HUD funded projects. HUD's regulations on Section 3 can be found in the Code of Federal Regulations, at 24 CFR 135.

As a recipient of HUD funding, the City of Rome certifies it will comply with the requirements of Section 3. The City of Rome HUD-funded programs include the CDBG Entitlement. The requirements of Section 3 also apply to contractors or subcontractors that receive contracts in excess of \$200,000 for Section 3 eligible projects and activities.

### **II. SECTION 3 FAQs**

#### **How does Section 3 differ from the Minority/Women Business Enterprise programs?**

Section 3 is both race and gender neutral. The preferences provided under this regulation are based on income level and location. The Section 3 regulations were designed to encourage recipients of HUD funding to direct new employment and contracting opportunities to low-income residents, and the businesses that employ these persons, within their community regardless of race and/or gender.

Contact HUD's Office of Small and Disadvantaged Business Utilization at (202) 708-1428 to learn more about these programs.

#### **How can a business become certified as a Section 3 business?**

Rome's Department of Community & Economic Development (CED) provides a form that a business can fill out to certify as a Section 3 business (Attachment B).

### **How can businesses find Section 3 residents to work for them?**

Businesses can recruit Section 3 residents in public housing developments and in the neighborhoods where the HUD assistance is being spent. Effective ways of informing residents about available training and job opportunities are: contacting resident organizations, local community development and employment agencies; distributing flyers; posting signs; and placing ads in local newspapers.

### **Will HUD require Section 3 compliance?**

Yes. HUD monitors the performance of contractors, reviews annual reports from recipients, and investigates complaints. HUD also examines employment and contract records for evidence that recipients are training and employing Section 3 residents and awarding contracts to Section 3 businesses. Contact Rome's Department of Community and Economic Development, at 315-339-7643 with Section 3 questions.

### **City of Rome Procedures to Help Ensure Section 3 Compliance**

The work to be performed under this bid specification/contract is subject to the requirements of Section 3 of the Housing and Urban Development Act of 1968, as amended. The purpose of Section 3 is to ensure that all "**new**" employment generated by HUD assistance or other assisted projects covered by Section 3, shall, to the greatest extent feasible, be directed to low- and very-low income persons, particularly persons who are recipients of HUD assistance. **All City of Rome projects with accepted bids that exceed \$200,000 shall be subject to hiring (if additional workforce is required to complete the job) at least one Section 3 employee/trainee for the duration of the project.**

The City of Rome anticipates the contractor to seek a qualified individual through a YouthBuild program, the Workforce Investment Board, local colleges and trade union programs or other means. **The new Section 3 hire(s) will require an aggregate of 120 hours during the project.** If using Journeyman & Apprentices, only Registered Apprentices from NYS-Certified Apprenticeship Programs will be considered.

### **III. Section 3 DEFINITIONS**

- A. "**Section 3 - covered assistance**" means funding provided under HUD that is expended for work arising in connection with:
1. housing rehabilitation, including reduction and abatement of lead-based paint hazards, (but excluding routine maintenance, repair and replacement);
  2. housing construction; or
  3. other public construction projects (which includes other buildings or improvements, regardless of ownership).
- B. "**Employment opportunities generated by section 3 covered assistance**" means all "**new**" employment opportunities generated by the expenditure of Section 3 covered assistance.
- C. "**Section 3 Business**" means a business concern:
1. That is 51 percent or more owned by section 3 residents; or
  2. Whose permanent, full-time employees include persons, at least 30 percent of whom are currently Section 3 residents, or within three years of the date of first employment with the business concern were Section 3 residents; or
  3. That provides evidence of a commitment to subcontract in excess of 25 percent of the dollar award of all subcontracts to be awarded to business concerns that meet the qualifications set forth in paragraphs (1) or (2) in this definition of "Section 3 business".

- D. **"Section 3 Project"** means the construction, reconstruction, conversion or rehabilitation of housing (including reduction and abatement of lead-based paint hazards), other public construction which includes buildings or improvements (regardless of ownership) assisted with HUD funding.
- E. **"Contractor"** means any entity which contracts to perform work generated by the expenditure of Section 3-covered assistance, or for work in connection with a Section 3 -covered project.
- F. **"Section 3 Contract"** means a contract or subcontract awarded by an owner, contractor or subcontractor for work generated by the expenditure of Section 3 covered assistance, or for work arising in connection with a Section 3 covered project. "Section Contracts" do not include contracts for the purchase of supplies and materials except, however, when a contract for materials includes the installation of those materials, that contract constitutes a Section 3 Contract.
- G. **"Section 3 Resident"** means:
1. A Public Housing resident; or
  2. An individual who resides in the metropolitan area or non-metropolitan country in which the Section 3 covered assistance is expended (Utica-Rome MSA), and who is:
  3. A low-income person, as this term is defined in section 3(b)(2) of the 1937 Act (42 U.S.C. 1437a(b)(2)). section 3(b)(2) of the 1937 Act defines this term to mean families (including single persons) whose incomes do not exceed 80 per centum of the median income for the area, as determined by the Secretary, with adjustments for smaller and larger families, except that the Secretary may establish income ceilings higher or lower than 80 per centum of the median for the area on the basis of the Secretary's findings that such variations are necessary because of prevailing levels of construction costs or unusually high or low-income families; or
  4. A very low-income person, as this term is defined in section 3(b)(2) of the 1937 Act (42 U.S.C. 1437a(b)(2)). section 3(b)(2) of the 1937 Act defines this term to mean families (including single persons) whose incomes do not exceed 50 per centum of the median family income for the area, as determined by the Secretary with adjustments for smaller and larger families, except that the Secretary may establish income ceilings higher or lower than 50 per centum of the median for the area on the basis of the Secretary's findings that such variations are necessary because of unusually high or low family incomes.
- H. **"New Hires"** mean full-time employees for permanent, temporary or seasonal employment.

#### IV. **SUBRECIPIENT (City of Rome) Section 3 RESPONSIBILITIES**

Subrecipients of Section 3-covered funding have a responsibility to "ensure compliance" of their contractors and subcontractors. This means that a subrecipient must:

1. Notify contractors of their responsibilities under Section 3 including, but not limited to, incorporating the Section 3 Clause in contract documents.
2. Ensure Section 3 contracting and employment/training goals are met "to the greatest extent possible."
3. Refrain from entering into contracts with contractors that are in violation of 24 CFR Part 135.

4. Respond to complaints made to the recipient by Section 3 residents or business concerns that the subrecipient, a contractor or subcontractor, is not in compliance with 24 CFR Part 135.
5. Cooperate with HUD in obtaining the compliance of contractors and subcontractors when allegations are made that the subrecipient's contractors and subcontractors are not in compliance with 24 CFR Part 135.

V. **CONTRACTOR Section 3 PROCEDURES & RESPONSIBILITIES**

- A. Every contractor and subcontractor must agree to be bound by the terms and intent of Section 3 and to include the following "Section 3 clause" in every contract for work in connection with this project.

*“The work to be performed under this contract is a project assisted under a program providing direct Federal financial assistance from HUD and is subject to Section 3 of the Housing and Urban Development Act of 1968 as amended, 12 U.S.C. 1701. Section 3 requires that to the greatest extent feasible, opportunities for training or employment be given to low and very low income residents of the project area and contracts for work in connection with the project be awarded to business concerns that provide economic opportunities for low and very low income persons residing in the metropolitan area in which the project is located. The Recipient will further include the above language in every subcontract or Purchase Order unless exempted by rules, regulations, or orders of the Secretary of Labor issued pursuant of Section 204 of Executive Order 11246 of September 24, 1965, so that such provisions, including sections for non – compliance will be binding upon each subcontractor or vendor. The Recipient will take such action with respect to any subcontract or purchase order as the Department of Labor may direct as a means of enforcing such provisions, however that in the event that the Recipient becomes involved in, or is threatened with, litigation with a subcontractor or vendor as a result of such direction by the Department, the Recipient may request the United States to enter into such litigation to protect the interest of the United States.”*

- B. Every contractor and subcontractor undertaking work in connection with a Section 3 Project agrees to direct his/her best efforts to utilize low-and very low-income area residents as employees to the greatest extent feasible. **Every contractor and subcontractor must submit appropriate paperwork to:**
1. Identify and describe the number of positions, by skill level, required to plan and implement the work to be done under this Section 3 covered project;
  2. Determine and describe how many of these positions are currently filled and which are not filled by regular, permanent employees; and
  3. Establish a target within each occupational category for the number of positions to be filled by Section 3 residents, if applicable.
- C. In order to insure that contractors and subcontractors are meeting their obligations, they will be **required to document their efforts, and maintain such records and accounts for a period of three (3) years, and permit access to books, records, and premises for purposes of investigation in connection with a grievance, or to ascertain compliance with these regulations.** Section 3 is a provision of the Housing and Urban Development (HUD) Act of 1968 that helps foster local economic development, neighborhood economic improvement, and individual self-sufficiency.

Section 3 regulations are available as part of 24 CFR, which can be accessed at:  
<https://www.hud.gov/Section3>

**VI. Section 3 EMPLOYMENT GOALS**

***Thirty percent (30%) of new employment opportunities should be awarded to Section 3 residents. Progress toward Section 3 employment goals must be reported on attached forms – before final payments will be made to selected contractor.***

- A. If a contractor or subcontractor will hire new employees as a result of receiving HUD assistance, these jobs must be provided, to the greatest extent feasible, to low- and very-low income persons, especially those living in the project area.
- B. All contractors will seek low- or very low-income persons residing in the metropolitan area for no less than 30% of all new hires. When a person is newly hired by the contractor for the project, the contractor must show evidence of seeking Section 3 Residents. Any employment resulting from these expenditures, including administration, management, clerical support, and construction, is subject to compliance with Section 3. Recipients are required, to the greatest extent feasible, to provide all types of employment opportunities to low and very low-income persons, including permanent employment and long-term jobs. Recipients and contractors are encouraged to have Section 3 residents make up at least 30% of their permanent, full-time staff.
- C. Section 3 resident who has been employed for 3 years may no longer be counted towards meeting the 30% requirement. This encourages recipients to continue hiring Section 3 residents when employment opportunities are available.
- D. In the event that the contractor under the performance of the contracted work does not require additional jobs and labor resulting in a Section 3 opportunity, the contractor shall submit the Attachment D ***New Hire Employment Report***, and check the corresponding space of “no new hires required to complete this project” and submit this form to the contracting office.

Attachment A



**City of Rome - Section 3 Resident Certification Form**

All employees working on Section 3 covered projects must be reported by the City for this project. For all employees, including a required trainee and any new hires, reported as being Section 3 residents, proper documentation of their status must be filed with the City.

**Instructions to employer:** Complete this form for every employee that is a Section 3 resident. Return completed and signed forms to CED.

Project Name: \_\_\_\_\_  
Project Address: \_\_\_\_\_  
Employee Name: \_\_\_\_\_  
Employee Address: \_\_\_\_\_  
Employee Telephone Number: \_\_\_\_\_

1. Is the Employee a public housing resident? Y ( ) N ( ) If yes, name of development  
\_\_\_\_\_
2. Is the employee a Section 3 resident because they are a low-income individual living in the Project area? (Utica/Rome MSA – Herkimer & Oneida County) Y  N 
  - Annual household income from all sources for prior fiscal year: \$ \_\_\_\_\_
  - Number of people in household (including employee): \_\_\_\_\_
  - Is the household income equal or less that 80% of the median income (*see Attachment E, HUD Income Limits Chart*) Y  N
3. Does the employee participate in a Youthbuild program? Y  N   
\_\_\_\_\_

**To be signed by the Section 3 Resident**

*All statements made on this form are subject to review. Review may include requests for documentation of proof i.e. W-2's, tax returns w/schedule C, 1099's, etc. My signature below certifies that all of the statements made in this application are true and accurate to the best of my knowledge.*

Signature: \_\_\_\_\_ Date: \_\_\_\_\_

Employer (please print) \_\_\_\_\_

Attachment B



**City of Rome - Section 3 Business Certification Form**

Certification for Business Concerns Seeking Section 3 Status

Name of Business \_\_\_\_\_

Address of Business \_\_\_\_\_

Type of Business:                     Corporation                     Partnership  
    Sole Proprietorship            Joint Venture

Attached is the following required documentation as evidence of status:

1. For Business claiming status as a Section 3 resident-owned enterprise:

- Copy of resident lease
- Copy of receipt of public assistance
- Copy of evidence of participation in a public assistance program
- Completed Resident Certification Form for Owner/s

For business entity as applicable:

- Copy of Articles of Incorporation                     Assumed Business Name Certificate
- List of owners/stockholders and  
   % ownership of each

2. For business claiming Section 3 status by subcontracting 25 % of the contract to qualified Section 3 business:

- List of subcontracted Section 3 business(s) and subcontract amount

3. For businesses claiming Section 3 status, claiming at least 30 % of their workforce are currently Section 3 residents or were Section 3 eligible residents within 3 years of date of first employment with the business:

- List of all current full-time employees            List of employees claiming Section 3 status
- Completed and signed Resident Certifications for each employee

*All statements made on this form are subject to review. Review may include requests for documentation of proof i.e. W-2's, tax returns w/schedule C, 1099's, etc. My signature below certifies that all of the statements made in this application are true and accurate to the best of my knowledge.*

Signature: \_\_\_\_\_

Print Name & Title: \_\_\_\_\_ Date: \_\_\_\_\_

Attachment C



**Section 3 Business Utilization Report**

Section 3 Contracting Goal: **30%**

**TO BE SUBMITTED BY PRIME CONTRACTOR PRIOR TO FINAL PAYMENT**

Prime Contractor Firm Name: \_\_\_\_\_ Project Name: \_\_\_\_\_  
Address: \_\_\_\_\_ Contact Person: \_\_\_\_\_  
Telephone: \_\_\_\_\_ TOTAL Contract Amount: \$ \_\_\_\_\_

List certified Section 3 businesses from which you have purchased services and/or supplies in reference to this contract. If a business is not on record with Rome as being a certified Section 3 business, attach a signed certification form.

Company Name	Company Address	Company Phone Number	Section 3 Business?	Indicate Contracted Work Scope or Materials	Date Paid	Amount Paid



Attachment D



**Section 3 New Hire Employment Report**

**TO BE SUBMITTED BY PRIME CONTRACTOR PRIOR TO FINAL PAYMENT**

Project Name: \_\_\_\_\_  
Project Address: \_\_\_\_\_  
Contract Amount: \_\_\_\_\_  
Contractor Name: \_\_\_\_\_  
Contractor Address: \_\_\_\_\_  
Contractor Phone: \_\_\_\_\_  
Person Completing This Form: \_\_\_\_\_  
E-mail Address: \_\_\_\_\_

If a contractor or subcontractor hires new employees as a result of receiving federal funds, 30% of these jobs should be provided, to low- and very-low income persons, especially those living in the project area. Use this form to report all new employees, including required trainee hired by the contractor and all new hires of subcontractors.

Name of New Hire	Date Hired	Check if Section 3 Resident	List Job Title and Trade	Job Category Code (see below)
1.				
2.				
3.				
4.				
5.				
6.				
7.				

Copy and attach additional pages if necessary.

**Job Category Code:**

Professionals (P)	Sales (S)	Labor (L)
Technicians (T)	Tradesperson (T)	Other (OTH)
Office or Clerical (OC)	Service Workers (SW)	

**Check here if there were no additional hires required to complete this project: \_\_\_\_\_**

This form must be signed by the Contractor and returned to CED to close out the project.

*All statements made on this form are subject to review. Review may include requests for documentation of proof i.e. W-2's, tax returns w/schedule C, 1099's, etc. My signature below certifies that all of the statements made in this application are true and accurate to the best of my knowledge.*

Signature: \_\_\_\_\_ Date: \_\_\_\_\_

Title (please print) \_\_\_\_\_

Attachment E



**HUD Income Limits Chart**

**PAYROLL**

(For Contractor's Optional Use; See Instructions at [www.dol.gov/whd/forms/wh347instr.htm](http://www.dol.gov/whd/forms/wh347instr.htm))



Rev. Dec. 2008

Persons are not required to respond to the collection of information unless it displays a currently valid OMB control number.

OMB No.: 1235-0008  
Expires: 07/31/2024

NAME OF CONTRACTOR		OR SUBCONTRACTOR		ADDRESS																		
PAYROLL NO.		FOR WEEK ENDING		PROJECT AND LOCATION						PROJECT OR CONTRACT NO.												
(1) NAME AND INDIVIDUAL IDENTIFYING NUMBER (e.g., LAST FOUR DIGITS OF SOCIAL SECURITY NUMBER) OF WORKER	(2) NO. OF WITHHOLDING EXEMPTIONS	(3) WORK CLASSIFICATION	OT OR ST.	(4) DAY AND DATE							(5) TOTAL HOURS	(6) RATE OF PAY	(7) GROSS AMOUNT EARNED	(8) DEDUCTIONS					(9) NET WAGES PAID FOR WEEK			
				HOURS	MON	TUE	WED	THU	FRI	SAT				SUN	FICA	WITH- HOLDING TAX	OTHER	TOTAL DEDUCTIONS				
			O																			
			S																			
			O																			
			S																			
			O																			
			S																			
			O																			
			S																			
			O																			
			S																			

While completion of Form WH-347 is optional, it is mandatory for covered contractors and subcontractors performing work on Federally financed or assisted construction contracts to respond to the information collection contained in 29 C.F.R. §§ 3.3, 5.5(a). The Copeland Act (40 U.S.C. § 3145) contractors and subcontractors performing work on Federally financed or assisted construction contracts to "furnish weekly a statement with respect to the wages paid each employee during the preceding week." U.S. Department of Labor (DOL) regulations at 29 C.F.R. § 5.5(a)(3)(ii) require contractors to submit weekly a copy of all payrolls to the Federal agency contracting for or financing the construction project, accompanied by a signed "Statement of Compliance" indicating that the payrolls are correct and complete and that each laborer or mechanic has been paid not less than the proper Davis-Bacon prevailing wage rate for the work performed. DOL and federal contracting agencies receiving this information review the information to determine that employees have received legally required wages and fringe benefits.

**Public Burden Statement**

We estimate that it will take an average of 55 minutes to complete this collection, including time for reviewing instructions, searching existing data sources, gathering and maintaining the data needed, and completing and reviewing the collection of information. If you have any comments regarding these estimates or any other aspect of this collection, including suggestions for reducing this burden, send them to the Administrator, Wage and Hour Division, U.S. Department of Labor, Room S3502, 200 Constitution Avenue, N.W. Washington, D.C. 20210





## DEPARTMENT OF COMMUNITY AND ECONOMIC DEVELOPMENT

ROME CITY HALL, 198 N. WASHINGTON STREET

ROME, NEW YORK 13440-5815

Telephone: (315) 339-7643 Fax: (315) 838-1167

---

### **Insurance Requirements for City Agreements**

The City of Rome New York requires general liability coverage in the amount of \$1,000,000 each occurrence /\$2,000,000 general aggregate, with The City of Rome, New York as certificate holder and additional insured. The accepted form of proof is ACORD 25 (2009/09) – Certificate of Liability Insurance.

For workers' Compensation and Disability Benefits insurance, please use forms C-105.2 or U-26.3 and DB120.1, respectively. Information on these forms is located at website (<http://www.wcb.state.ny.us/content/main/Forms.jsp>).

Forms must be signed by an authorized representative of the insurer. All policies must provide for written notice to the City of Rome to be delivered in accordance with the policy provisions. All forms may be completed by your agent/broker, do not require notarization, and will be accepted electronically when sent directly from your agent/broker.

C-105.2 (9/07)	Certificate of NYS Workers' Compensation Insurance Coverage (All private NYS licensed workers' compensation carriers are required to issue the C-105.2. Please note that the State Insurance Fund issues a different form, the U-26.3 form, as its version of the C-105.2)	Employers insured for workers' compensation through a private insurance carrier	Filed with any entity requesting to be a certificate holder including a government agency issuing a permit, license or contract. The C-105.2 must be completed by the insurance carrier or its licensed insurance agent.	<p><u>Employers must obtain this form from either their NYS workers' compensation insurance carrier or a licensed NYS insurance agent of that carrier.</u></p> <p>Carriers, their licensed agents, and Self-Insured Employers may email the Board at <a href="mailto:Certificates@wcb.ny.gov">Certificates@wcb.ny.gov</a> to obtain controlled forms not available on this website.</p>
-------------------	--	---	--	---

DB-120.1 (5/06)	Certificate Of Insurance Coverage Under The NYS Disability Benefits Law	Employers insured for NYS statutory disability benefits insurance through an insurance carrier.	Filed with any entity requesting to be a certificate holder including a government agency issuing a permit, license or contract. The DB-120.1 must be completed by either the NYS statutory disability benefits insurance carrier, or a licensed NYS insurance agent of that carrier.	<p><u>Employers must obtain this form from either their NYS statutory disability benefits insurance carrier or a licensed NYS insurance agent of that carrier.</u></p> <p>Carriers, their licensed agents, and Self-Insured Employers may email the Board at <a href="mailto:Certificates@wcb.ny.gov">Certificates@wcb.ny.gov</a> to obtain controlled forms not available on this website.</p>
--------------------	---	---	---	---

<a href="#">CE-200 (12/08)</a>  (Replaces WC/DB-100 and Form C-105.21)	Certificate of Attestation of Exemption from NYS Workers' Compensation and/or Disability Benefits Coverage	Applicants for permits, licenses or contracts from State, county or municipal agencies in New York State that are not required to carry NYS workers' compensation and/or disability benefits insurance coverage.	Please file with the government agency that is issuing the permit, license or contract. (Examples: The New York City Department of Buildings or the New York State Department of Health)	These exemption forms can <u>ONLY</u> be used to attest to a government entity that an applicant requesting a permit, license or contract from that <u>government</u> entity is not required to carry <u>NYS</u> workers' compensation and/or disability benefits insurance. ( <a href="#">Instructions</a> )
--	--	--	--	---